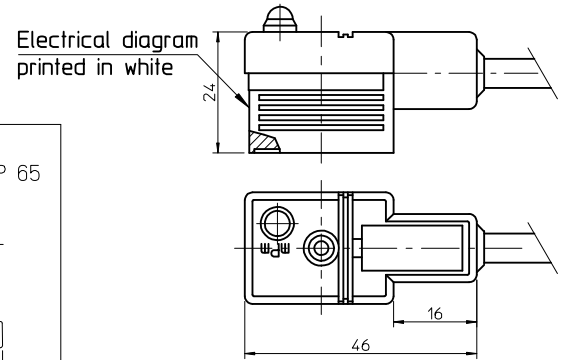
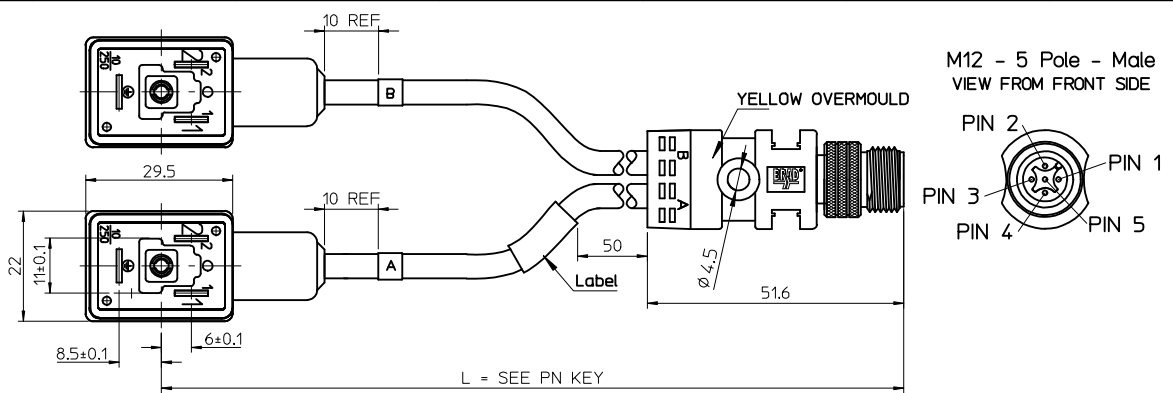
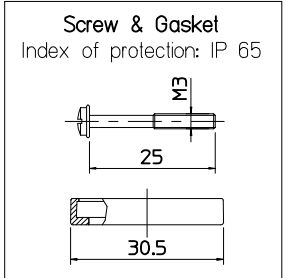


**Table of length tolerances**

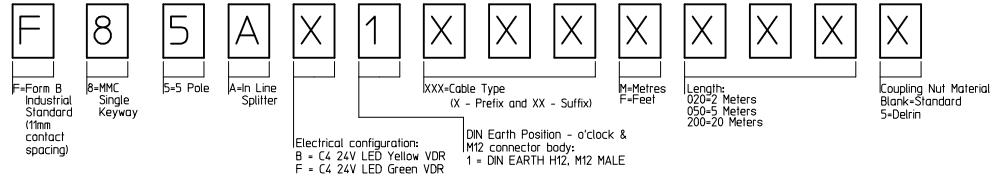
Over	Up to and including	Tolerance (+)
0	305	+19
305	915	+45
915	1830	+56
1830	3660	+89
3660	7320	+165
7320	14640	+317
14640	30500	+610
30500	>	+2% of length



**PN's List**

Engineering number	Molex PN	Cable Length [mm]	Cable type
F85AB1I12M040	1210360486	4000	CEI PVC Grey 0.5mm <sup>2</sup>
F85AB1E12M0155	1210360535	1500	PVC Black 0.5mm <sup>2</sup>
F85AB1P12M010	1210360549	1000	PUR Black 0.5mm <sup>2</sup>
F85AB1E12M006	1210360619	600	PVC Black 0.5mm <sup>2</sup>
F85AB1P12M006	1210360664	600	PUR Black 0.5mm <sup>2</sup>
F85AF1E12M010	1210360536	1000	PVC Black 0.5mm <sup>2</sup>

**PART No MATRIX - PN KEY**



Notes:  
1. Dimensions without tolerance are referential.

<b>ADDED PN</b> EC NO: IPG2015-2193 DRWN: PAMLAK01 2015/06/22 CHKD: FGAIK 2015/06/22 APPR: MIWASIECZKO 2015/07/06	<b>QUALITY SYMBOLS</b> ▽=0 ◻=0	<b>GENERAL TOLERANCES (UNLESS SPECIFIED)</b> mm INCH 4 PLACES ± --- ± --- 3 PLACES ± --- ± --- 2 PLACES ± --- ± --- 1 PLACE ± --- ± --- 0 PLACE ± --- ± --- ANGULAR ± --- °	<b>DIMENSION STYLE</b> MM ONLY DRAWN BY: JMARSZALEK DATE: 2013/07/12 CHECKED BY: MSZWAJKOWSKI DATE: 2013/07/12 APPROVED BY: MIWASIECZKO DATE: 2014/01/30	SCALE: - DESIGN UNITS: METRIC THIRD ANGLE PROJECTION
	<b>DRAFT WHERE APPLICABLE MUST REMAIN WITHIN DIMENSIONS</b>	<b>MATERIAL NO.</b> SEE PN KEY	<b>DOCUMENT NO.</b> SD-121036-010	<b>SHEET NO.</b> 1 OF 1
	<b>SIZE</b> A3	THIS DRAWING CONTAINS INFORMATION THAT IS PROPRIETARY TO MOLEX INCORPORATED AND SHOULD NOT BE USED WITHOUT WRITTEN PERMISSION		
	<b>REV</b> A1	<b>F85AX1XXXXXXX</b> ILS - 2 X DIN-B H12 C4 M12 5P AC MA <b>molex</b>		