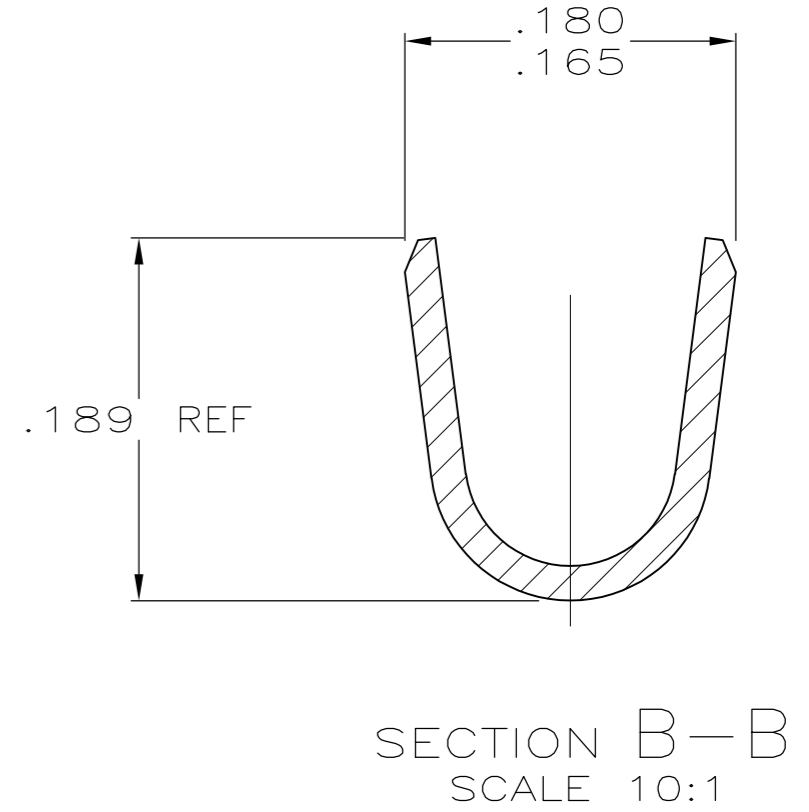
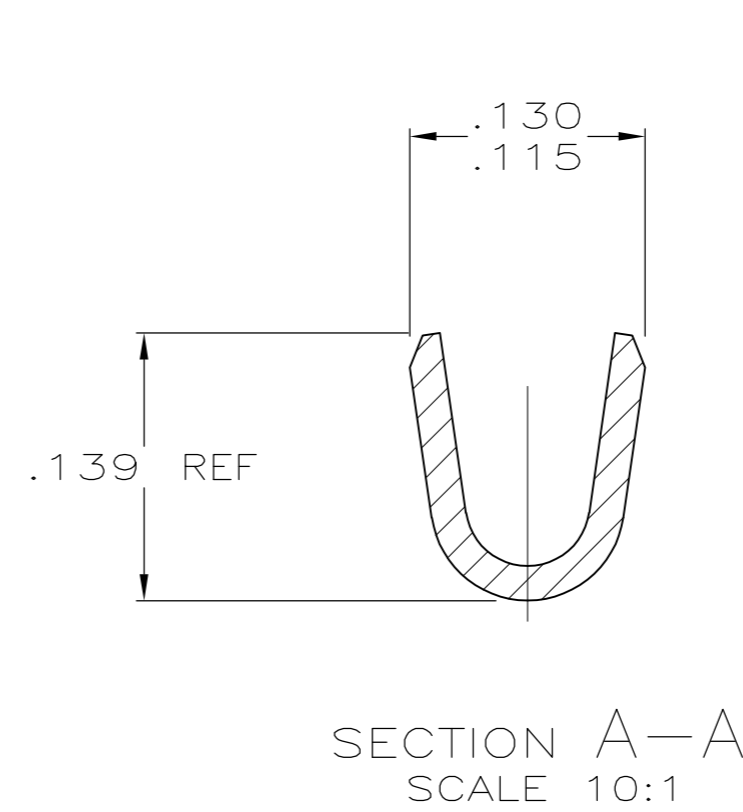
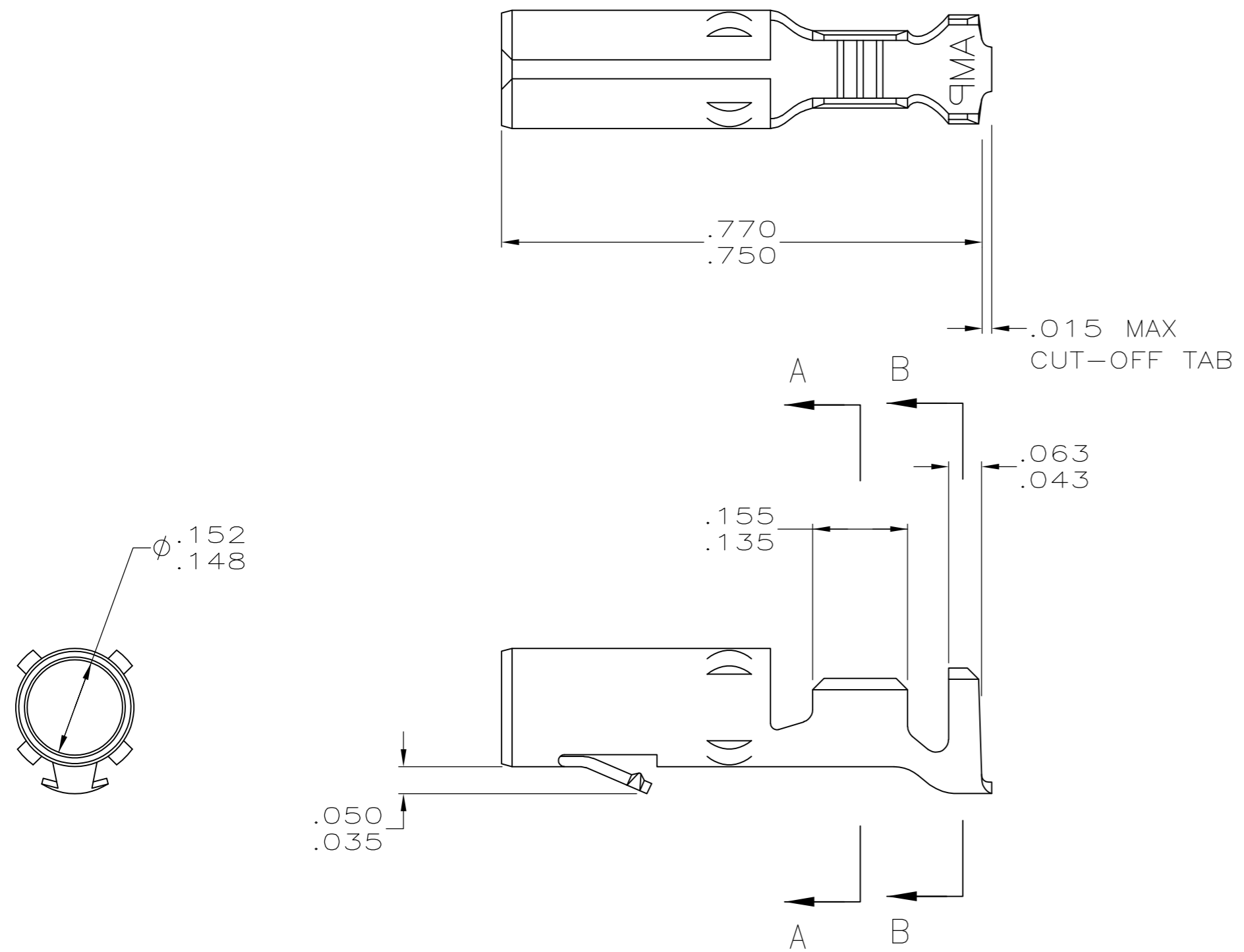


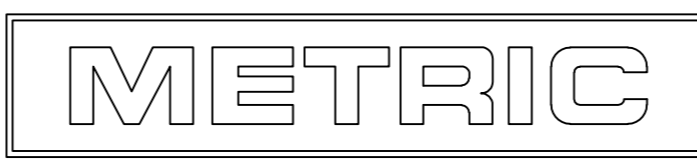
THIS DRAWING IS UNPUBLISHED. RELEASED FOR PUBLICATION  
 © COPYRIGHT BY TYCO ELECTRONICS CORPORATION. ALL INTERNATIONAL RIGHTS RESERVED.

| LOC | DIST | REVISIONS   |               |           |       |
|-----|------|-------------|---------------|-----------|-------|
| P   | LTR  | DESCRIPTION | DATE          | DWN       | APVD  |
| CM  | 0    | J           | ECO-08-028197 | 12NOV2008 | KW CC |

1. WIRE RANGE: 20-14 (0.5-2mm<sup>2</sup>) AWG  
 INSULATION RANGE: .125 MAX.



| CONVERSION TABLE |      |      |      |      |      |      |       |
|------------------|------|------|------|------|------|------|-------|
| IN               | MM   | IN   | MM   | IN   | MM   | IN   | MM    |
| .050             | 1.27 | .139 | 3.53 | .180 | 4.57 |      |       |
| .043             | 1.09 | .135 | 3.43 | .165 | 4.19 |      |       |
| .035             | 0.89 | .130 | 3.30 | .156 | 3.96 |      |       |
| .018             | 0.46 | .125 | 3.18 | .155 | 3.94 | .770 | 19.56 |
| .015             | 0.38 | .115 | 2.92 | .152 | 3.86 | .750 | 19.05 |
| .005             | 0.13 | .063 | 1.60 | .148 | 3.76 | .189 | 4.80  |



|  |  |  |
|--|--|--|
| TIN                                    | .018 BRASS                             | 61250-1                                  |
| FINISH                                 | MATERIAL                               | PART NO                                  |
| THIS DRAWING IS A CONTROLLED DOCUMENT. |  |  |
| DIMENSIONS: INCHES                     | TOLERANCES UNLESS OTHERWISE SPECIFIED: | DWN B. LEWIS 6-25-96                     |
|  | 0 PLC ± -                              | CHK R. SWING 6-25-96                     |
|  | 1 PLC ± -                              | APVD C. MARTIN 6-25-96                   |
|  | 2 PLC ± -                              | NAME                                     |
|  | 3 PLC ± .005                           | PRODUCT SPEC                             |
| 4 PLC ± -                              | APPLICATION SPEC                       | SOCKET, LOOSE PIECE, .156 MATE-N-LOK(TM) |
| ANGLES ± -                             | FINISH                                 | SIZE CAGE CODE DRAWING NO RESTRICTED TO  |
| MATERIAL BRASS                         | PRE-TIN                                | WEIGHT - A2 00779 C=61250                |
| CUSTOMER DRAWING                       |  | SCALE 5:1 SHEET 1 of 1 REV J             |