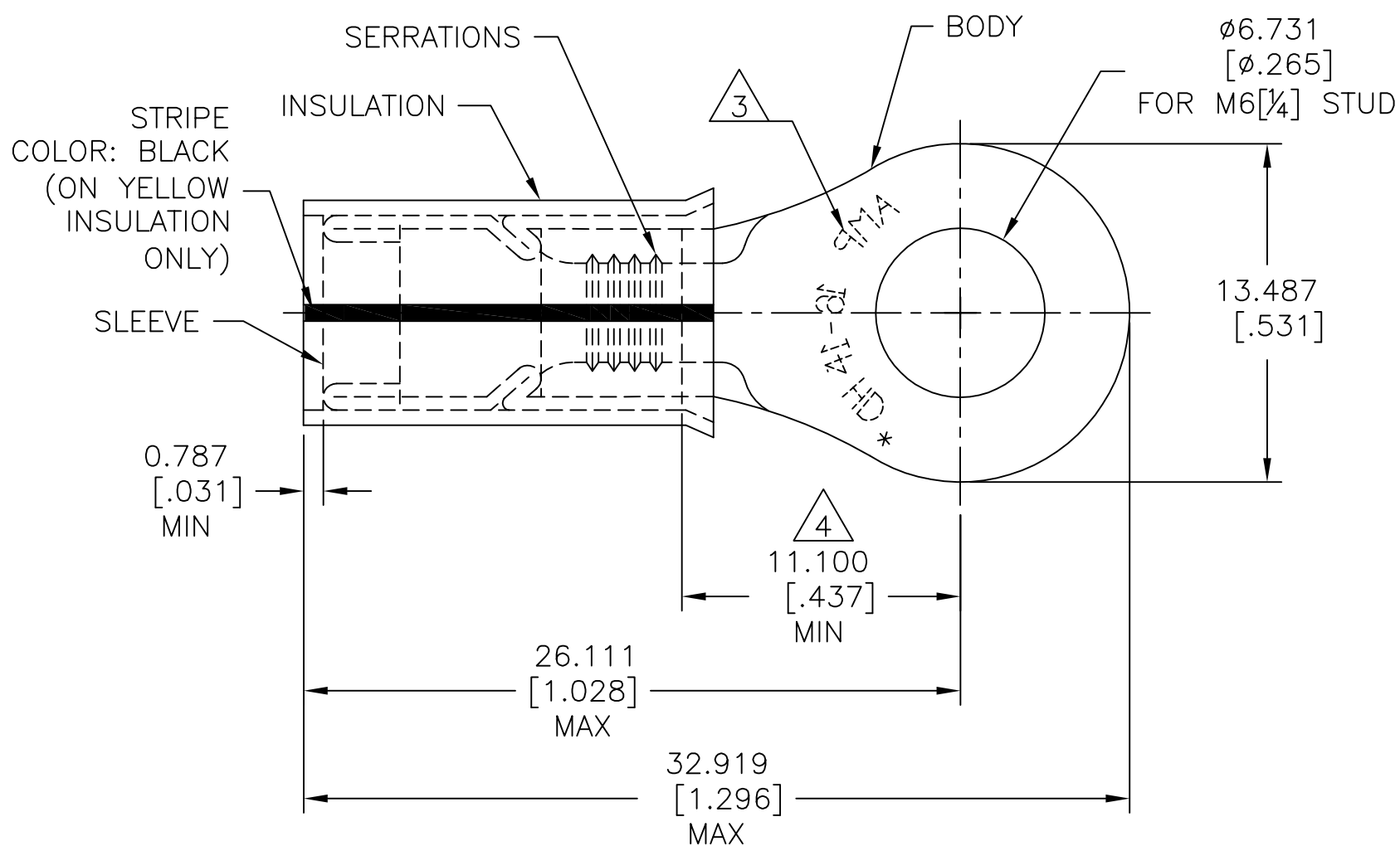


| P | LTR | DESCRIPTION | DATE | DWN | APVD |
|---|-----|---------------------------|-----------|-----|------|
| | N1 | REDRAWN PER ECO-17-007400 | 11DEC2017 | RS | DR |

| | | |
|--------------------------------|--------------------------------|--------------------------------|
| AMP WIRE RANGE | Listed FILE E13288 | LR7189 Certified |
| 16-14 AWG SOLID OR STRANDED | 16-14 AWG SOLID OR STRANDED | 16-14 AWG SOLID OR STRANDED |



- 1 FOR $\phi 3.810[\phi.150]$ TO $\phi 6.350[\phi.250]$ WIRE INSULATION.
- 2 BODY MATERIAL THICKNESS: $1.219 \pm 0.051[.048 \pm .002]$
- 3 STAMP AMP 16-14 HD* APPROX AS SHOWN.
- 4 APPLIES FROM EDGE OF METAL WIRE BARREL TO CENTER OF STUD HOLE.
- 5 MATERIAL:
BODY & SLEEVE: COPPER ASTM B152
INSULATION: NYLON
- 6 FINISH:
BODY & SLEEVE: TIN PER ASTM B545
INSULATION: SEE TABLE

| QTY. | DESCRIPTION | FINISH | PART NO. |
|------|-------------------|--------------------------|-----------|
| 2500 | 34806 ON TAPE | INSULATION COLOR: YELLOW | 2-34806-3 |
| 2500 | 2-34806-1 ON TAPE | INSULATION COLOR: BLUE | 2-34806-2 |
| 500 | LOOSE PIECE | INSULATION COLOR: YELLOW | 34806 |

| | | | | |
|--|--|-------------------------------------|--|------------|
| THIS DRAWING IS A CONTROLLED DOCUMENT. | | DWN RAVI S 11DEC2017 | TE Connectivity | |
| DIMENSIONS: mm [INCHES] | | CHK ROHDE DANIEL F 11DEC2017 | | |
| TOLERANCES UNLESS OTHERWISE SPECIFIED: | | APVD ROHDE DANEIL F 11DEC2017 | NAME | |
| 0 PLC ± - | | PRODUCT SPEC | TERMINAL, PIDG-RING TOUNGE, WIRE SIZE: 16-14(HD) | |
| 1 PLC ± - | | APPLICATION SPEC | SIZE | |
| 2 PLC ± - | | 114-2157 | CAGE CODE | DRAWING NO |
| 3 PLC ± 0.127[.005] | | WEIGHT | A3 | 00779 |
| 4 PLC ± - | | CUSTOMER DRAWING | C=34806 | |
| ANGLES ± - | | SCALE | 4:1 | |
| FINISH | | SHEET | 1 OF 1 | |
| 5 | | REV | N1 | |
| 6 | | | | |