

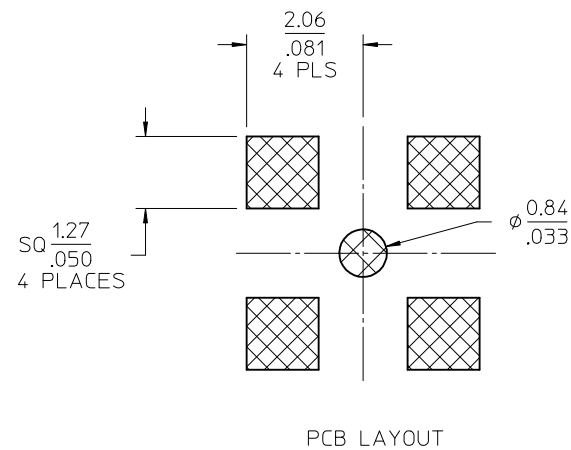
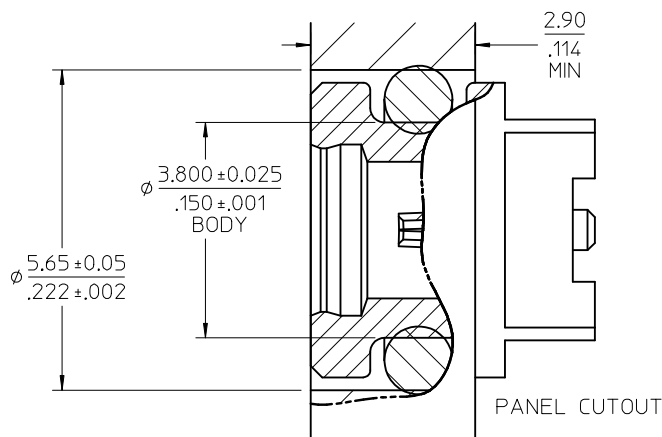
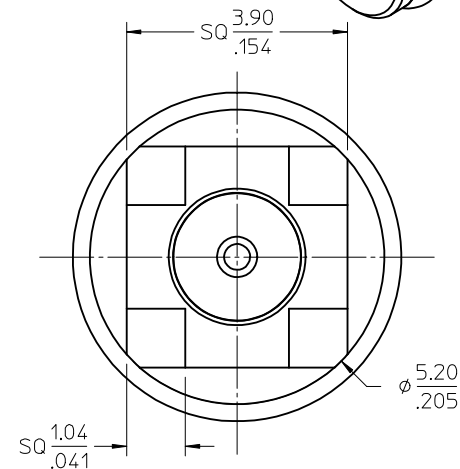
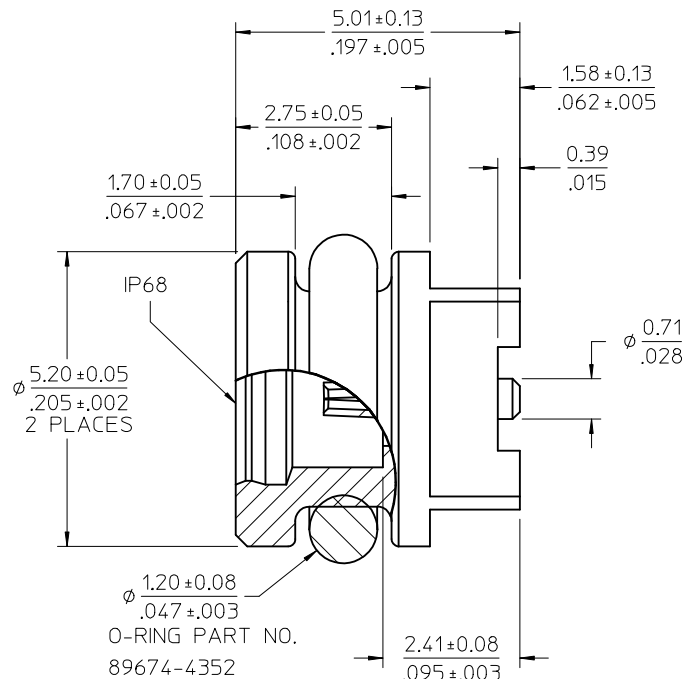
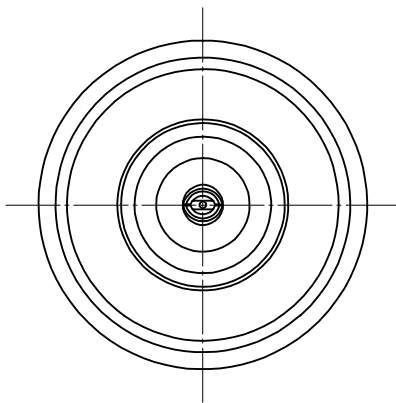
MATERIALS AND FINISHES

BODY: BRASS
PLATED GOLD (10 μ-INCH)

CONTACT: BERYLLIUM COPPER
PLATED GOLD (10 μ-INCH)

INSULATOR: TEFLON

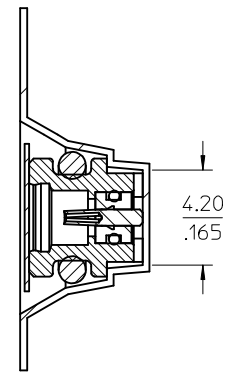
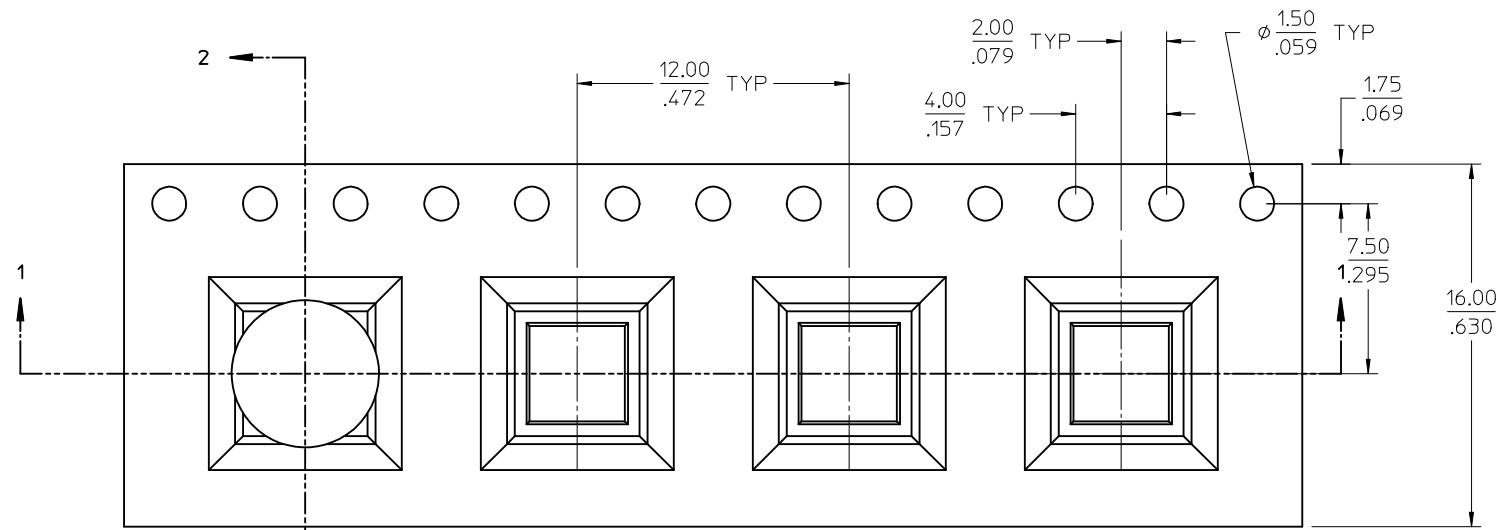
O-RING: SEE TABLE
SILICONE RUBBER
PER ZZ-R-765
DUROMETER 70
SHORE A



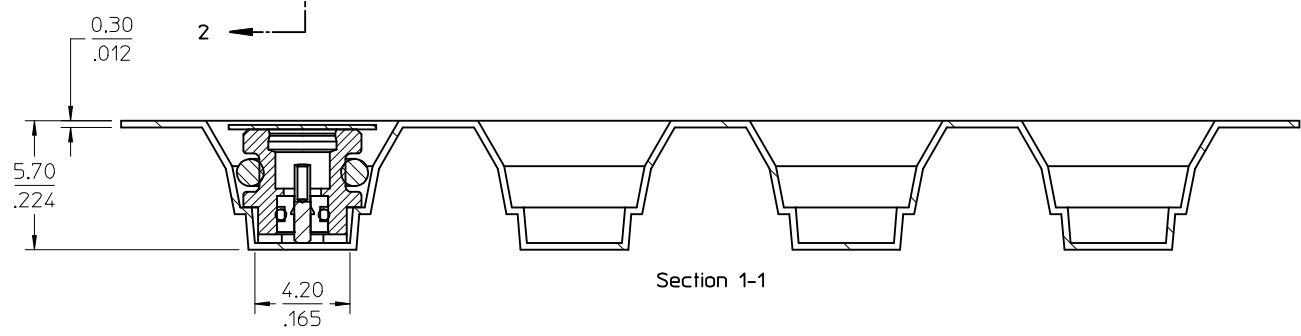
73414-6221	NOT INCLUDED	TAPE & REEL W/ KAPTON
73414-6220	INCLUDED	TRAY
PART NO.	O-RING	PACKAGING

PS-89675-1920	PRODUCT SPECIFICATION
CECC-22-340	INTERFACE
SPECIFICATION	DESCRIPTION

CHG: KAPTON CHG TO OD 6.5MM EWR RF13-E128 EC NO: URF2013-0708 DRWN: YCHENG 2013/06/19 CHKD: CHKKD APPR: MHUANG 2013/06/21 C2	QUALITY SYMBOLS ▽=0 ▽=0 ▽=0	GENERAL TOLERANCES (UNLESS SPECIFIED) <table border="1"> <tr> <th></th> <th>mm</th> <th>INCH</th> </tr> <tr> <td>4 PLACES</td> <td>± .010</td> <td>± .0004</td> </tr> <tr> <td>3 PLACES</td> <td>± .015</td> <td>± .0006</td> </tr> <tr> <td>2 PLACES</td> <td>± .020</td> <td>± .0008</td> </tr> <tr> <td>1 PLACE</td> <td>± .030</td> <td>± .0012</td> </tr> <tr> <td>0 PLACE</td> <td>± .040</td> <td>± .0016</td> </tr> </table>		mm	INCH	4 PLACES	± .010	± .0004	3 PLACES	± .015	± .0006	2 PLACES	± .020	± .0008	1 PLACE	± .030	± .0012	0 PLACE	± .040	± .0016	DIMENSION STYLE MM/IN	SCALE DESIGN UNITS METRIC	THIRD ANGLE PROJECTION
		mm	INCH																				
4 PLACES	± .010	± .0004																					
3 PLACES	± .015	± .0006																					
2 PLACES	± .020	± .0008																					
1 PLACE	± .030	± .0012																					
0 PLACE	± .040	± .0016																					
DRAFT WHERE APPLICABLE MUST REMAIN WITHIN DIMENSIONS		MATERIAL NO. SEE TABLE	DRAWN BY AROBERTSON	DATE 2012/08/15	TITLE MMCX JACK VERTICAL PCB SMT IP68 O-RING MMCX-J/PCB, EWR-5019																		
		ANGULAR ± 2°	APPROVED BY JW IENER	DATE 2012/08/24	DOCUMENT NO. SD-73414-622																		
		SIZE C	THIS DRAWING CONTAINS INFORMATION THAT IS PROPRIETARY TO MOLEX INCORPORATED AND SHOULD NOT BE USED WITHOUT WRITTEN PERMISSION																				
			SHEET NO. 1 OF 3																				

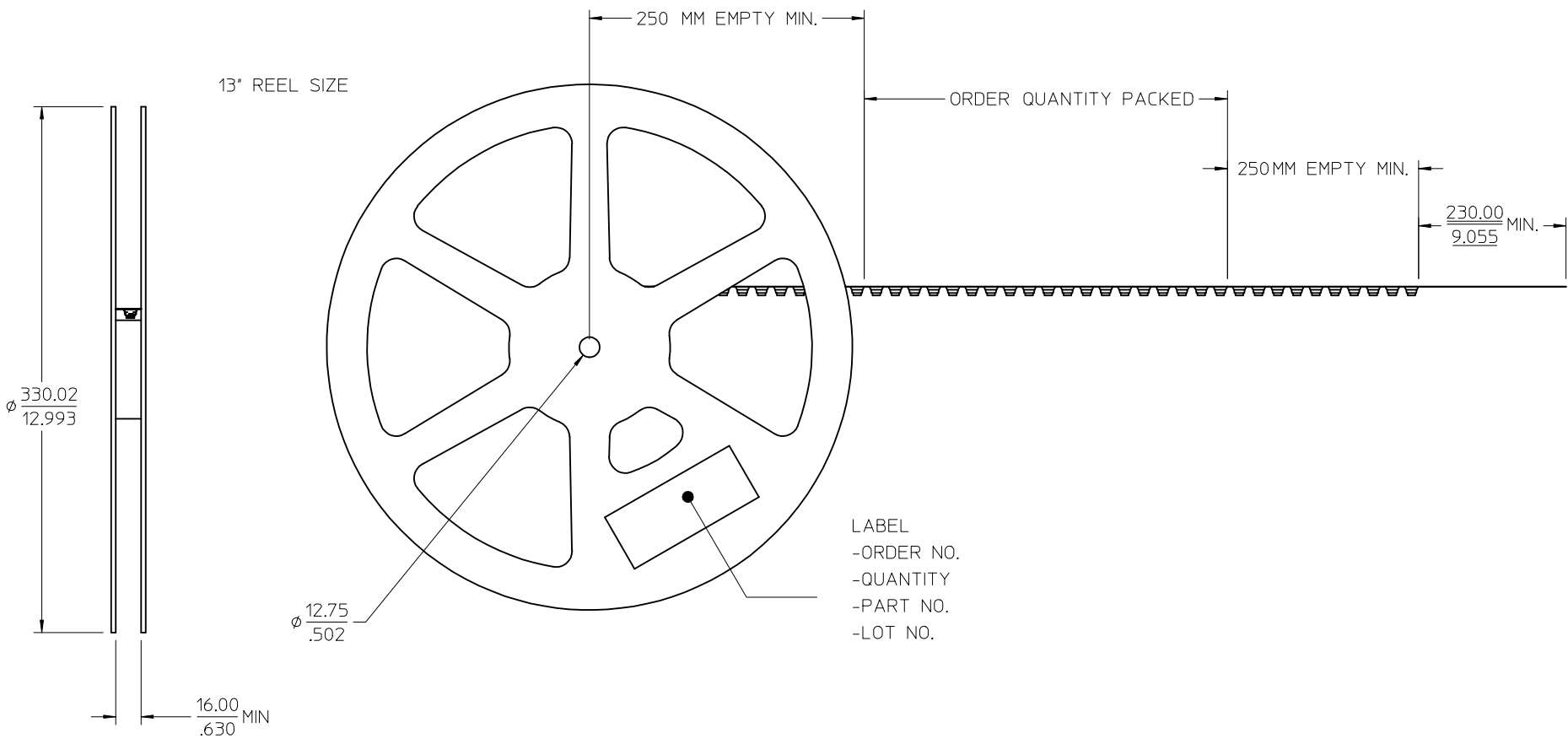


Section 2-2



Section 1-1

SEE SHEET 1 EC NO: URF2013-0708 DRAWN: CHENG 2013/06/19 CHKD: APPR: MHIANG 2013/06/21	QUALITY SYMBOLS $\nabla = 0$ $\nabla = 0$ $\nabla = 0$	GENERAL TOLERANCES (UNLESS SPECIFIED) <table border="1"> <thead> <tr> <th></th> <th>mm</th> <th>INCH</th> </tr> </thead> <tbody> <tr> <td>4 PLACES</td> <td>± .012</td> <td>± .0005</td> </tr> <tr> <td>3 PLACES</td> <td>± .015</td> <td>± .0006</td> </tr> <tr> <td>2 PLACES</td> <td>± .020</td> <td>± .0008</td> </tr> <tr> <td>1 PLACE</td> <td>± .025</td> <td>± .0010</td> </tr> <tr> <td>0 PLACE</td> <td>± .030</td> <td>± .0012</td> </tr> </tbody> </table>		mm	INCH	4 PLACES	± .012	± .0005	3 PLACES	± .015	± .0006	2 PLACES	± .020	± .0008	1 PLACE	± .025	± .0010	0 PLACE	± .030	± .0012	DIMENSION STYLE MM/IN	SCALE DESIGN UNITS METRIC	THIRD ANGLE PROJECTION
		mm	INCH																				
	4 PLACES	± .012	± .0005																				
	3 PLACES	± .015	± .0006																				
2 PLACES	± .020	± .0008																					
1 PLACE	± .025	± .0010																					
0 PLACE	± .030	± .0012																					
C2	DRAFT WHERE APPLICABLE MUST REMAIN WITHIN DIMENSIONS	MATERIAL NO. SEE SHEET 1	DRAWN BY AROBERTSON	DATE 2012/08/15	TITLE MMCX JACK VERTICAL PCB SMT IP68 O-RING MMCX-J/PCB, EWR-5019																		
		ANGULAR ± 2°	CHECKED BY SSS	DATE 2012/08/15	molex																		
			APPROVED BY JW IENER	DATE 2012/08/24	DOCUMENT NO. SD-73414-622																		
			SIZE C	THIS DRAWING CONTAINS INFORMATION THAT IS PROPRIETARY TO MOLEX INCORPORATED AND SHOULD NOT BE USED WITHOUT WRITTEN PERMISSION	SHEET NO. 2 OF 3																		



LABEL
 -ORDER NO.
 -QUANTITY
 -PART NO.
 -LOT NO.

COMPONENT LOAD 1000 PCS PER 13" REEL

SEE SHEET 1 EC NO: URF2013-0708 DRAWN: CHENG 2013/06/19 CHKD: APPR: MHIANG 2013/06/21	QUALITY SYMBOLS	GENERAL TOLERANCES (UNLESS SPECIFIED)		DIMENSION STYLE MM/IN		SCALE	DESIGN UNITS METRIC	THIRD ANGLE PROJECTION	
	▽=0	mm	INCH	DRAWN BY	DATE	TITLE MMCX JACK VERTICAL PCB SMT IP68 O-RING MMCX-J/PCB, EWR-5019		SHEET NO. 3 OF 3	
	▽=0	4 PLACES ± --- ± ---	AROBERTSON	2012/08/15					
	▽=0	3 PLACES ± --- ± ---	CHECKED BY	DATE					
▽=0	2 PLACES ± --- ± ---	SSS	2012/08/15						
		1 PLACE ± --- ± ---	APPROVED BY	DATE	DOCUMENT NO.				
		0 PLACE ± --- ± ---	JWIENER	2012/08/24	SD-73414-622				
		ANGULAR ± 2 °		MATERIAL NO.					
		DRAFT WHERE APPLICABLE MUST REMAIN WITHIN DIMENSIONS		SEE SHEET 1					
				SIZE		THIS DRAWING CONTAINS INFORMATION THAT IS PROPRIETARY TO MOLEX INCORPORATED AND SHOULD NOT BE USED WITHOUT WRITTEN PERMISSION			