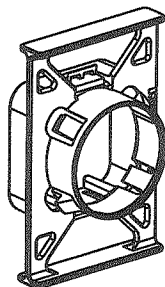
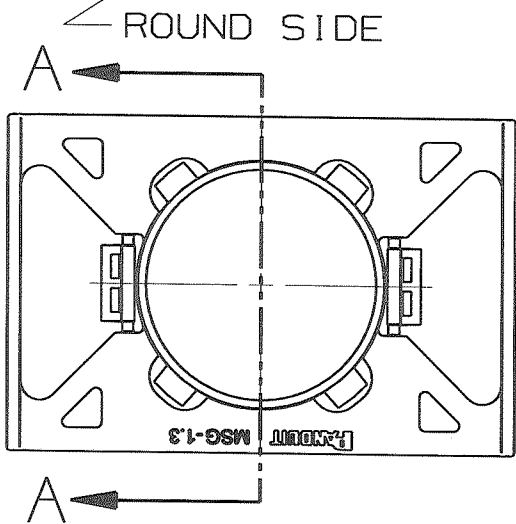
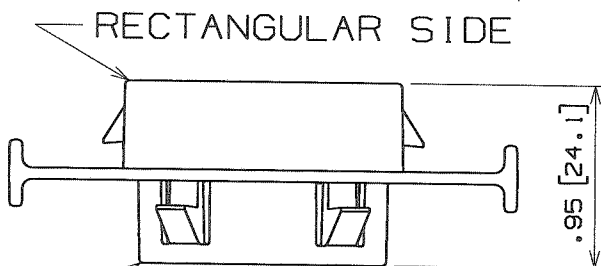
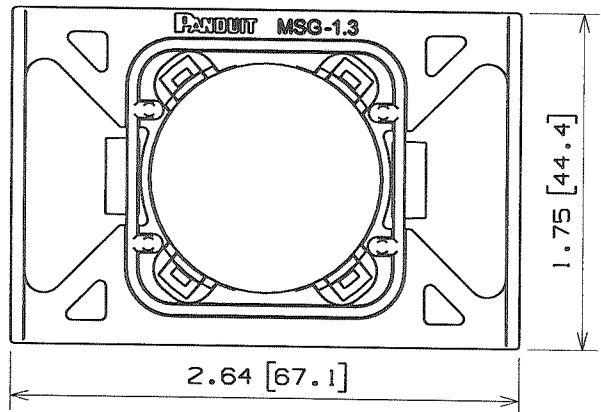


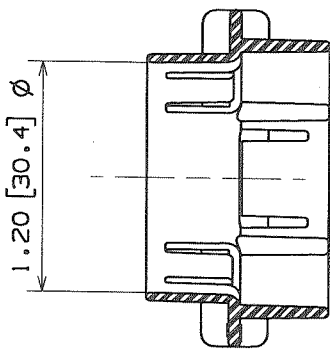
THIS COPY IS PROVIDED ON A RESTRICTED BASIS AND IS NOT TO BE USED IN ANY WAY DETRIMENTAL TO THE INTERESTS OF PANDUIT CORP.

NOTES:

1. SEE CURRENT PRICE SHEET FOR PART NUMBER SUFFIX DESIGNATION FOR PACKAGE SIZE.
2. PART CAN BE INSTALLED INTO "ROUND" OR "RECTANGULAR" PUNCHOUTS IN STEEL STUDS WITH MATERIAL THICKNESS UP TO 0.10".
3. PART SUITABLE FOR USE IN HOLES PUNCHED WITH PANDUIT PART #MSPT-1.3.

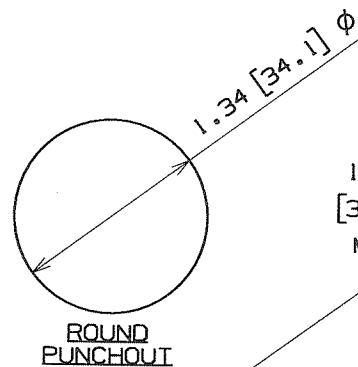


ISOMETRIC VIEW  
SCALE 1:2

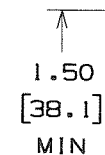


SECTION A - A

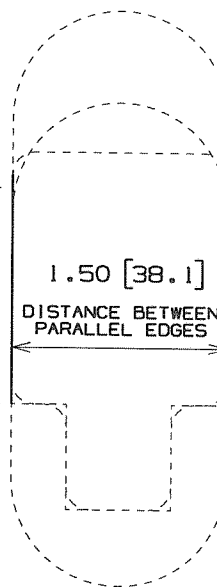
APPLICABLE PUNCHOUT SHAPES (SCALE 3:4)



ROUND PUNCHOUT



MINIMUM LENGTH OF STRAIGHT, PARALLEL EDGES



RECTANGULAR PUNCHOUTS

DIMENSIONS IN BRACKETS ARE METRIC [ mm ]

CAD FILENAME/LAYERS

G03677BM\_DC\_GB3677BM/02A

**PANDUIT**

CORP.

TINLEY PARK, ILLINOIS

MSG-1.3  
METAL STUD GROMMET

UNLESS OTHERWISE SPECIFIED,  
DIMENSIONAL TOLERANCES ARE:  
(.X) ±0.05 [1.3] (.XXX) ±0.010 [0.25]  
(.XX) ±0.02 [0.5] ANGLES ±5°

UNLESS OTHERWISE SPECIFIED,  
ALL DIMENSIONS ARE GIVEN  
IN INCHES, THIRD ANGLE  
PROJECTION.

DRAWN BY

ARHA

MAT'L:

POLYPROPYLENE

SCALE

1:1

DATE

12-07-09

DRAWING NO.

GB3677BM

DWG

A

CHK'D

KLN

(YELLOW)

517F

O2A	12/07/09	ARHA	CHK	INITIAL RELEASE	GB3677BM	O2A	KLN		
REV	DATE	BY	CHK	DESCRIPTION	ECN	R	CUST	SUP	