

PART NUMBER	REV	FIRST USED
567405-1	L	854400-1
567405-2	N	565435-5
567405-3	L	354500-1
567405-4	-	SEE DRW 567405-4

TERMINAL NAME: .187 SERIES FLAG POS LOK-EX RECPT					
CRIMPING DATA					
PAD LTR	CRIMP HEIGHT	WIRE SIZE			
A	.038 ±.002 [0.96 ±0.05mm]	16			
B	.035 ±.002 [0.89 ±0.05mm]	18			
C	.033 ±.002 [0.84 ±0.05mm]	20,22,0R 0.50mm ²			
D	.035 ±.002 [0.89 ±0.05mm]	(2) 0.50mm ²			
CRIMP	SIZE	TYPE	RANGE		
WIRE	.140 [3.56mm]	TAB LOCK	22-16		
INSUL	.140 [3.56mm]	0	.059-.170		
WIRE STRIP LENGTH	TERM APPL SPEC	FEED	APPL INSTRUCTION	SET UP GAGE	LAYOUT
.165-.205	114-5118	.567	408-8031	-	L1412 L1886

-1	LEADMAKER	MECH POST FEED
-2	BENCH K	MECH PRE FEED
-3	BENCH G	MECH PRE FEED

REVISIONS					
P	LTR	DESCRIPTION	DATE	DRN	APVD
N		REVISED -2 PER ECR-22-160105	02DEC2022	GK	GB

1	1	1	-	22594-8	NUT, HEX	70
1	1	1	-	240628-1	PLATE, ADJ	69
1	1	1	-	240626-1	SHAFT, PIVOT	68
1	1	1	-	240633-1	BUSHING	67
1	1	1	-	240630-1	LEVER, INTERMEDIATE	66
1	1	1	-	1804317-1	BLOCK, PIVOT	65
1	1	1	-	1633286-1	SCR, ADJ	64
1	1	1	-	240659-3	PIN, CAM ROLLER	63
1	1	1	-	240658-1	ROLER, CAM	62
1	1	1	-	240631-1	ROD, FEED	61

1	1	1	-	2217626-1	CAP, RAM	59
1	1	1	-	2217625-1	HOUSING	58
1	1	1	-	458361-1	GUIDE,FEED ROD	57
1	1	1	-	240624-1	PIN, FEED FINGER	56
1	1	1	-	691499-1	SPRING, FEED FINGER	55
1	1	1	-	454568-1	FINGER, FEED	54
1	1	1	-	240634-1	LEVER, TERMINAL	53
-	1	-	-	690696-1	CAM, PRE FEED 1 1/8 ST	52
1	1	1	-	2256119-1	SCREW, SHOULDER	51
1	1	1	-	3-21002-5	BOLT, CRIMPER	50
1	-	-	-	453991-1	CAM, PRE-FEED 1 5/8 ST	49
-	-	1	-	238015-1	CAM, POST-FEED 1 5/8 ST	48
1	1	1	-	690578-3	BLOCK, INSULATION ADJUST	47
1	1	1	-	690191-1	PLUG, NYLON	46
1	1	1	-	2217624-1	RAM	45
1	1	1	-	690125-1	WASHER, LAMINATED	44
1	1	1	-	690124-4	WASHER, RAM	43
1	1	1	-	23241-6	BALL, STEEL	42
1	1	1	-	690170-1	SPRING, COMPRESSION	41
1	1	1	-	690142-1	DISC, INSULATION	40
1	1	1	-	354777-1	WIRE DISC, PLASTIC	39
1	1	1	-	22480-5	WASHER, SPRING	38
1	1	1	-	690212-1	POST, RAM	37
1	1	1	-	3-23846-5	SPRING, HINGE BAR	36
1	1	1	-	690573-1	SPACER, SPRING	35
1	1	1	-	454569-1	MOUNT, DRAG	34
1	1	1	-	1-22354-8	STUD, DRAG	33
1	1	1	-	21030-2	PIN, MOUNT, DRAG	32
1	1	1	-	690582-1	PIN, HINGE	31
-	-	-	-	-	-	30
1	1	1	-	684905-1	PLATE, BASE	29
1	1	1	-	454579-2	HINGE BAR	28
1	1	1	-	690571-1	BLOCK, STABILIZER	27
1	1	1	-	690585-1	BLOCK, PRESSURE	26
1	1	1	-	22282-5	SPRING, DRAG	25
1	1	1	-	21030-6	LEVER, DRAG	24
1	1	1	-	454570-1	DRAG, STOCK	23
1	1	1	-	454573-1	GUIDE, STRIP (REAR)	22
1	1	1	-	318739-3	GUIDE, STRIP (FRONT)	21
1	1	1	-	4-22284-6	SPRING, FEED RETURN	20
1	1	1	-	1-692134-7	POSITIONER, TERMINAL	19
1	1	1	-	5-22280-5	SPRING, TERM. POSITIONER	18
1	1	1	-	454712-6	PLATE, REAR SHEAR	17
1	1	1	-	454578-1	ANVIL INSERT	16
1	1	1	-	690569-3	PLATE, FRONT SHEAR	15
1	1	1	-	690718-1	ANVIL	14
1	1	1	-	454575-8	BLADE, SLUG	13
-	-	-	-	-	-	12
1	1	1	-	684906-1	PLATE,ANVIL RETAINING	11
1	1	1	-	690574-1	SPACER,TUBULAR INSUL CRIMPER	10
1	1	1	-	690715-1	CRIMPER, INSULATION	9
-	-	-	-	-	-	8
1	1	1	-	690716-3	CRIMPER, WIRE	7
-3	-2	-1	U/M	PART NO	DESCRIPTION	ITEM NO

QTY REQD PER ASSY	PARTS LIST
1	1-692134-7 POSITIONER, TERMINAL
1	5-22280-5 SPRING, TERM. POSITIONER
1	454712-6 PLATE, REAR SHEAR
1	454578-1 ANVIL INSERT
1	690569-3 PLATE, FRONT SHEAR
1	690718-1 ANVIL
1	454575-8 BLADE, SLUG
-	-
1	684906-1 PLATE,ANVIL RETAINING
1	690574-1 SPACER,TUBULAR INSUL CRIMPER
1	690715-1 CRIMPER, INSULATION
-	-
1	690716-3 CRIMPER, WIRE

QTY REQD PER ASSY	PARTS LIST
-3	-2 -1 U/M PART NO DESCRIPTION ITEM NO
1	1-692134-7 POSITIONER, TERMINAL
1	5-22280-5 SPRING, TERM. POSITIONER
1	454712-6 PLATE, REAR SHEAR
1	454578-1 ANVIL INSERT
1	690569-3 PLATE, FRONT SHEAR
1	690718-1 ANVIL
1	454575-8 BLADE, SLUG
-	-
1	684906-1 PLATE,ANVIL RETAINING
1	690574-1 SPACER,TUBULAR INSUL CRIMPER
1	690715-1 CRIMPER, INSULATION
-	-
1	690716-3 CRIMPER, WIRE

QTY REQD PER ASSY	PARTS LIST
1	1-692134-7 POSITIONER, TERMINAL
1	5-22280-5 SPRING, TERM. POSITIONER
1	454712-6 PLATE, REAR SHEAR
1	454578-1 ANVIL INSERT
1	690569-3 PLATE, FRONT SHEAR
1	690718-1 ANVIL
1	454575-8 BLADE, SLUG
-	-
1	684906-1 PLATE,ANVIL RETAINING
1	690574-1 SPACER,TUBULAR INSUL CRIMPER
1	690715-1 CRIMPER, INSULATION
-	-
1	690716-3 CRIMPER, WIRE

QTY REQD PER ASSY	PARTS LIST
1	1-692134-7 POSITIONER, TERMINAL
1	5-22280-5 SPRING, TERM. POSITIONER
1	454712-6 PLATE, REAR SHEAR
1	454578-1 ANVIL INSERT
1	690569-3 PLATE, FRONT SHEAR
1	690718-1 ANVIL
1	454575-8 BLADE, SLUG
-	-
1	684906-1 PLATE,ANVIL RETAINING
1	690574-1 SPACER,TUBULAR INSUL CRIMPER
1	690715-1 CRIMPER, INSULATION
-	-
1	690716-3 CRIMPER, WIRE

QTY REQD PER ASSY	PARTS LIST
1	1-692134-7 POSITIONER, TERMINAL
1	5-22280-5 SPRING, TERM. POSITIONER
1	454712-6 PLATE, REAR SHEAR
1	454578-1 ANVIL INSERT
1	690569-3 PLATE, FRONT SHEAR
1	690718-1 ANVIL
1	454575-8 BLADE, SLUG
-	-
1	684906-1 PLATE,ANVIL RETAINING
1	690574-1 SPACER,TUBULAR INSUL CRIMPER
1	690715-1 CRIMPER, INSULATION
-	-
1	690716-3 CRIMPER, WIRE

- 1 RECOMMENDED SPARE PARTS.
- 2 GREASE LIGHTLY.
- 3 LUBRICATE DAILY USING NO. 20 MACHINE OIL.
- 4. DO NOT EXCEED 80 C.P.M. WITH THIS APPLICATOR.
- 5. AFTER ASSEMBLY OF APPLICATOR, PROPER SPRING PRESSURE (ITEM 34) CAN BE OBTAINED BY TIGHTENING SET SCREW (ITEM 105) UNTIL CONTACT IS MADE WITH SPACER (ITEM 32) THEN TIGHTEN AN ADDITIONAL 5 1/2 - 6 REVOLUTIONS.
- 6 GUARD MUST BE IN PLACE WHEN OPERATING APPLICATOR IN A BENCH MACHINE.

2	2	2	-	7-354779-8	PIN, WIRE DISC (.3380)D	129
2	2	2	-	8-354779-0	PIN, WIRE DISC (.3390)C	128
2	2	2	-	7-354779-8	PIN, WIRE DISC (.3380)B	127
2	2	2	-	7-354779-4	PIN, WIRE DISC (.3360)A	126
1	1	1	-	986950-1	WASHER, FLAT PRECISION	125
1	1	1	-	1-21030-2	PIN, DOWEL (Ø.187X.62)	124
1	1	1	-	1-21030-6	PIN, DOWEL (Ø.187X1.25)	123
2	2	2	-	3-21028-2	PIN, SLOTTED SPRING (Ø.094X.25)	122
2	2	2	-	4-21028-9	PIN, SLOTTED SPRING (Ø.125X.38)	121
2	2	2	-	5-21028-1	PIN, SLOTTED SPRING (Ø.125X.50)	119
1	1	1	-	21029-5	PIN, SLOTTED SPRING (Ø.188X.75)	118
1	1	1	-	21899-4	WASHER, FLAT	117
4	4	4	-	21024-4	WASHER, LOCK (#8)	116
2	2	2	-	21055-6	WASHER, FLAT (#8)	115
2	2	2	-	21899-2	WASHER, FLAT (#10)	114
2	2	2	-	21024-5	WASHER, LOCK (#10)	113
1	1	1	-	1-22202-7	NUT, HEX (5/16-24)	112
1	1	1	-	21022-3	NUT,HEX (LOCKING)(10-32)	111
1	1	1	-	21018-5	NUT, HEX (6-32)	110
2	2	2	-	21045-3	RING,RET"C"(Ø.187)FD PIN	109
1	1	1	-	8-21007-5	SCREW,SKT SET(5/16-24x.75)	108
7	7	7	-	2-22733-8	SCREW, BHC (1/4-20X.63)	107
1	1	1	-	21009-2	SCREW,SKT SET(1/4-20x.25)	106
-	1	-	-	1-21002-7	SCR, BHC (6-32x.38)	105
1	-	1	-	3-21000-9	SCREW, SHC (10-32X1.00)	104
4	4	4	-	3-21000-8	SCREW, SHC (10-32X.88)	103
2	2	2	-	3-21000-6	SCREW, SHC (10-32X.62)	102
1	1	1	-	3-21000-4	SCREW, SHC (10-32X.38)	101
2	2	2	-	7-21000-6	SCREW, SHC (10-32X.38)	100
2	2	2	-	4-21006-0	SCREW, SKT SET (8-32X.25)	99
1	1	1	-	21061-9	SCREW, SKT SET (8-32X.25)	98
2	2	2	-	3-21000-0	SCREW, SHC (8-32X2.00)	97
4	4	4	-	2-21000-9	SCREW, SHC (8-32X.75)	96
2	2	2	-	1-23030-1	SCREW, SHC (NYLOK)(8-32X.62)	95
4	4	4	-	2-222603-3	SCREW, HEX (8-32X.62)	94
2	2	2	-	2-21000-8	SCREW, SHC (8-32X.62)	93
1	1	1	-	2-21002-1	SCREW, SBHC (8-32X.38)	92
1	1	1	-	6-23715-5	SCR,PAN HD(6-32x1.50)FEED ADJ	91
1	1	1	-	23030-1	SCREW, SHC(NYLOK)(6-32X.25)	90
-	REF	-	-	455745-1	GUARD, WINDOW	89
REF	-	-	-	679532-1	INSERT, GUARD	88
-	1	-	-	694427-1	PLATE, MOUNTING	87
2	2	2	-	21017-2	SCR,DRIVE(#2X.19)ID	86
1	1	1	-	461264-1	PLATE, IDENTIFICATION	85
1	1	1	-	690603-1	SPRING, ASSIST	84
1	1	1	-	458109-1	WASHER, SPECIAL	83
1	1	1	-	690517-1	SPACER	82
-3	-2	-1	U/M	PART NO	DESCRIPTION	ITEM NO

QTY REQD PER ASSY	PARTS LIST
-	REF - - - 455745-1 GUARD, WINDOW
REF	- - - 679532-1 INSERT, GUARD
-	1 - - - 694427-1 PLATE, MOUNTING
2	2 2 2 - 21017-2 SCR,DRIVE(#2X.19)ID
1	1 1 1 - 461264-1 PLATE, IDENTIFICATION
1	1 1 1 - 690603-1 SPRING, ASSIST
1	1 1 1 - 458109-1 WASHER, SPECIAL
1	1 1 1 - 690517-1 SPACER
-3	-2 -1 U/M PART NO DESCRIPTION ITEM NO

QTY REQD PER ASSY	PARTS LIST
-3	-2 -1 U/M PART NO DESCRIPTION ITEM NO
1	1-692134-7 POSITIONER, TERMINAL
1	5-22280-5 SPRING, TERM. POSITIONER
1	454712-6 PLATE, REAR SHEAR
1	454578-1 ANVIL INSERT
1	690569-3 PLATE, FRONT SHEAR
1	690718-1 ANVIL
1	454575-8 BLADE, SLUG
-	-
1	684906-1 PLATE,ANVIL RETAINING
1	690574-1 SPACER,TUBULAR INSUL CRIMPER
1	690715-1 CRIMPER, INSULATION
-	-
1	690716-3 CRIMPER, WIRE

THIS DRAWING IS A CONTROLLED DOCUMENT.

DIMENSIONS: INCHES	TOLERANCES UNLESS OTHERWISE SPECIFIED:	DIN 7-18-95	DRN	APVD
0 PLC ± .005	1 PLC ± .002	7-19-95	R O WILSON	C ERISMAN
2 PLC ± .001	3 PLC ± .0005	7-21-95	A REDDICK	A REDDICK
4 PLC ± .0002	ANGLES ± .001			

MATERIAL: - FINISH: -

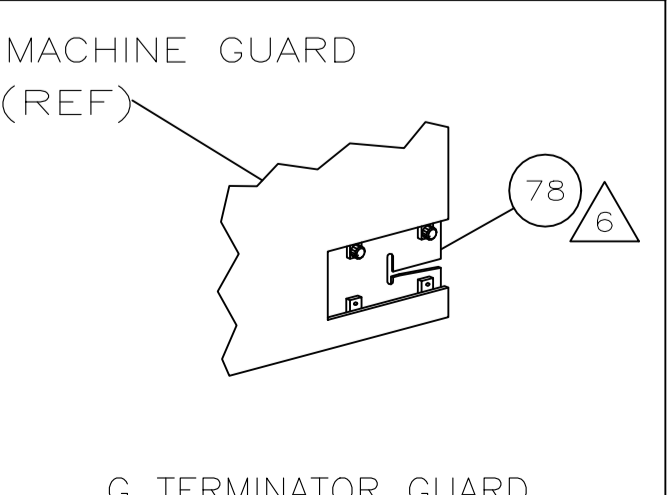
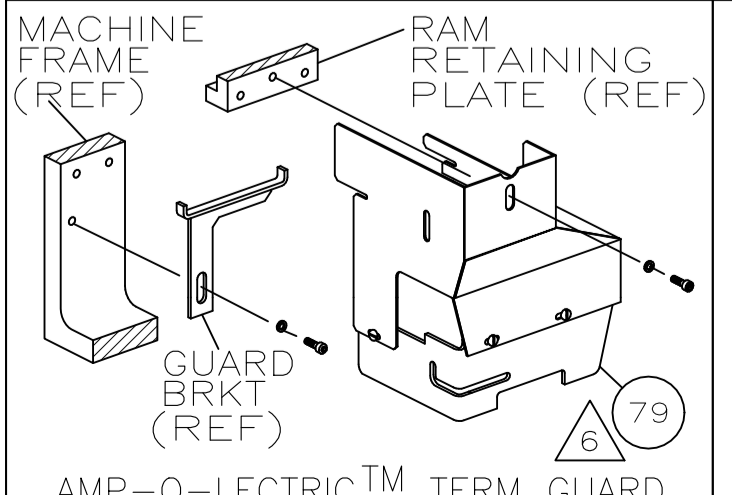
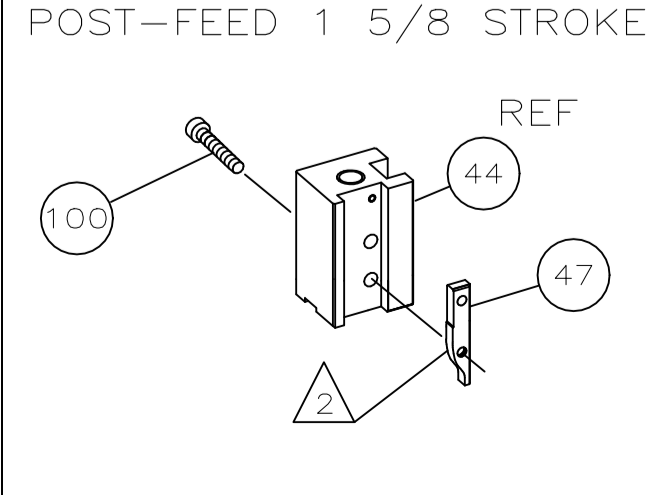
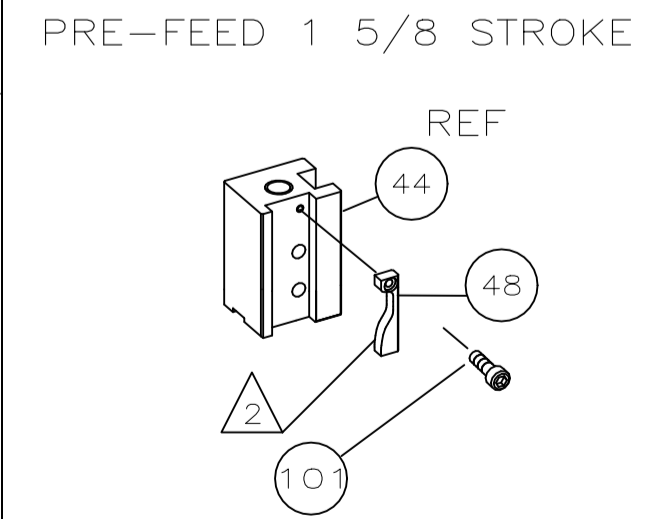
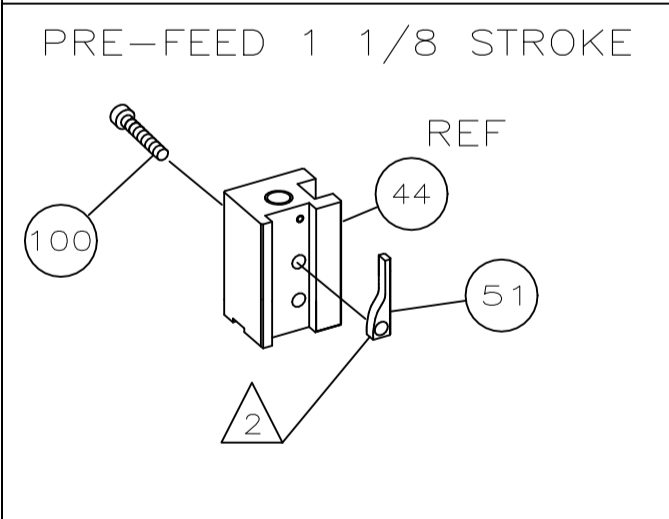
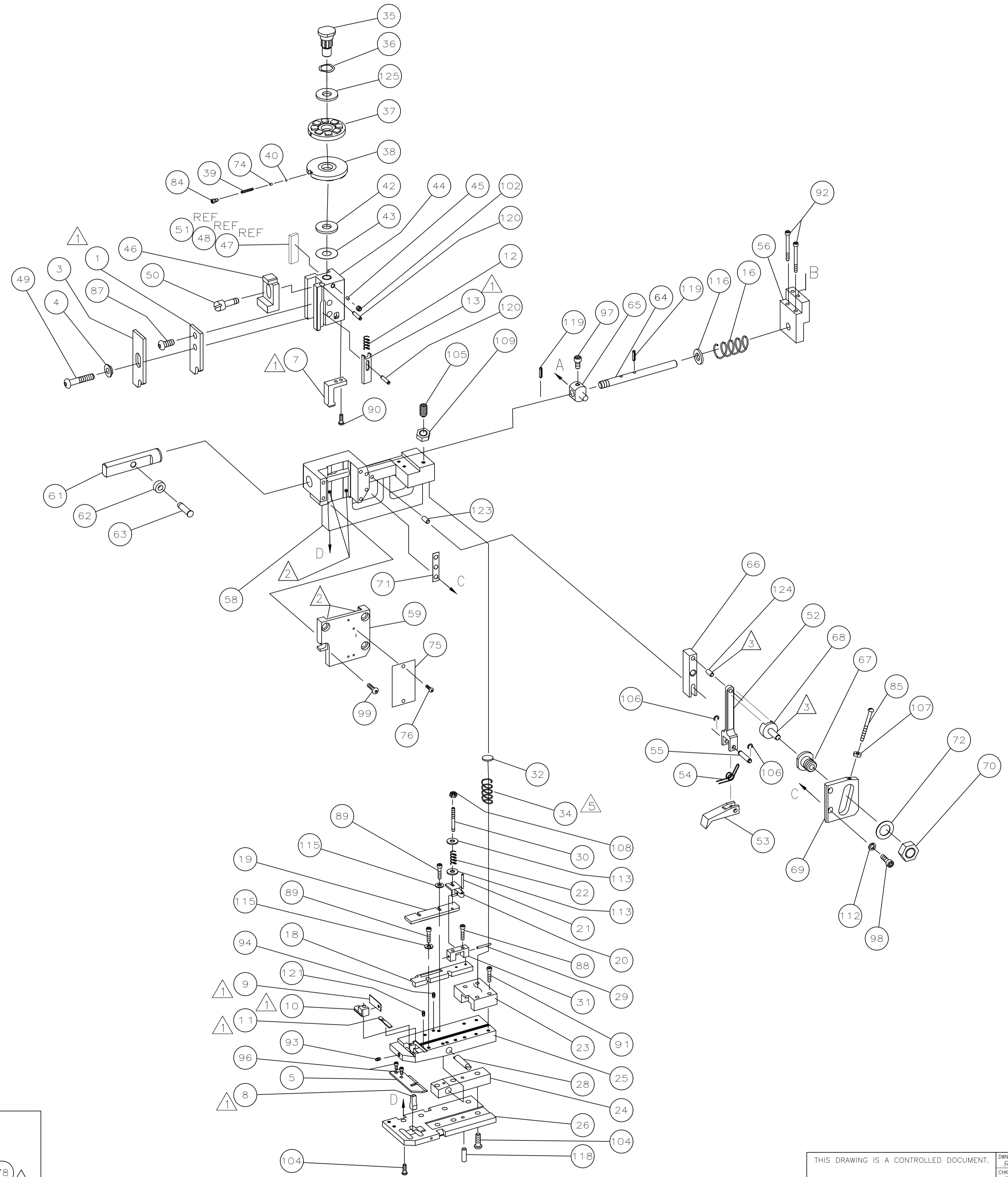
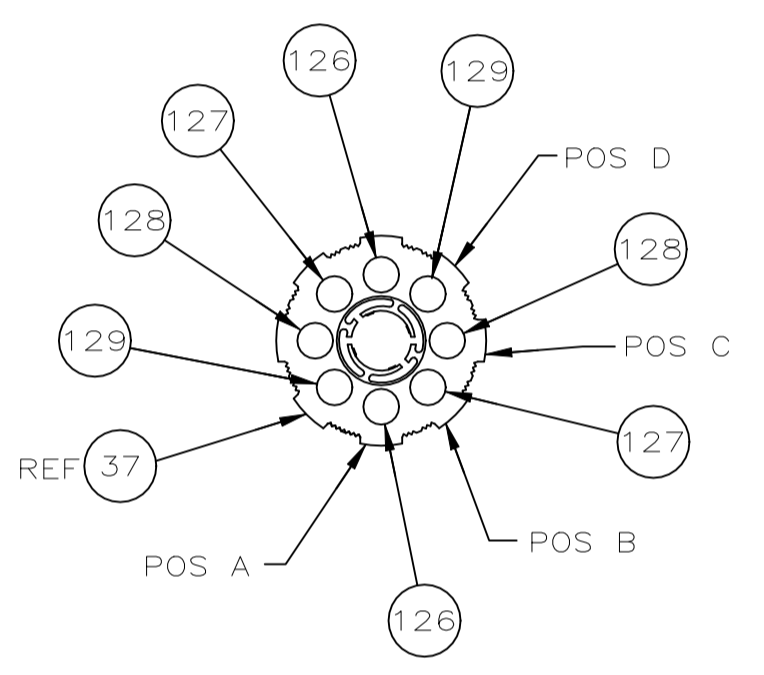
WEIGHT: -

SIZE: A1 CAGE CODE: 00779 DRAWING NO: 567405

RESTRICTED TO: -

CUSTOMER DRAWING SCALE: - SHEET 1 OF 2 REV: N

REVISIONS				
P	LTR	DESCRIPTION	DATE	APPROV
-	-	SEE SHEET 1	-	-



THIS DRAWING IS A CONTROLLED DOCUMENT.		DIN R O WILSON 7-18-95	
DIMENSIONS: INCHES		CHK C FRISMAN 7-19-95	
TOLERANCES UNLESS OTHERWISE SPECIFIED:		APPROV A BEDDICK 7-21-95	NAME END FEED HINGE BAR APPLICATOR
0. PLC ± .005 1. PLC ± .005 2. PLC ± .005 3. PLC ± .005 4. PLC ± .005 ANGLES ± .005		PRODUCT SPEC	APPLICATION SPEC
MATERIAL	FINISH	WEIGHT	RESTRICTED TO
CUSTOMER DRAWING		SIZE A1	SCALE -
DRAWING NO 00779		CAGE CODE C=567405	SHEET 2
REV N		SHEET 2	