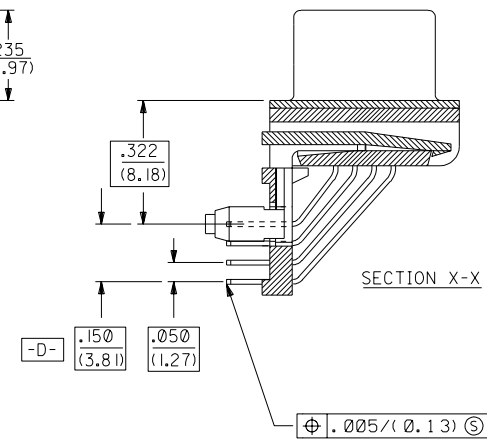
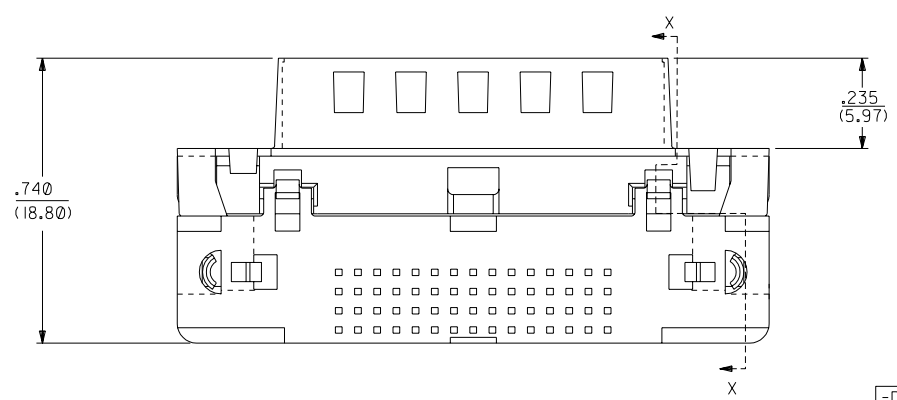


- NOTES:
- MATERIALS:
 - HOUSING: GLASS FILLED LCP (LIQUID CRYSTAL POLYMER), UL 94V-0, COLOR: BLACK.
 - MOLDED STICK: GLASS FILLED LCP (LIQUID CRYSTAL POLYMER), UL 94V-0, COLOR: BLACK.
 - MALE TERMINAL: PHOSPHOR BRONZE
 - OUTER SHELL: DEEP DRAWN STEEL.
 - PLATING :
 - TERMINAL: .000030/(0.000762) MINIMUM GOLD IN SELECTIVE AREA; .000100/(0.00254) MINIMUM TIN IN SELECTIVE AREA; OVER NICKEL UNDERPLATE OVERALL.
 - OUTER SHELL: .000150/(0.00381) MINIMUM TIN OVER .000050/(0.00127) MINIMUM NICKEL OVER COPPER FLASH OVERALL (OPTIONAL).
 - CONFORMS TO PRODUCT SPECIFICATION PS-70928.
 - PARTS TO BE PACKAGED IN TUBES.
 - THREAD GAUGE MAY REQUIRE UP TO 1 IN.-LB. OF TORQUE DURING GAUGING PROCESS.

NOTE FOR LEAD FREE CONVERSION:
 THE PRIMARY SHIPPING CARTON WILL BE LABELED "COMPLIANT TO ROHS DIRECTIVE 2002/95/EC AND ELV ANNEX II OF DIRECTIVE 2000/53/EC". CARTONS WITHOUT THIS LABEL MAY CONTAIN PRODUCT WITH LEAD.



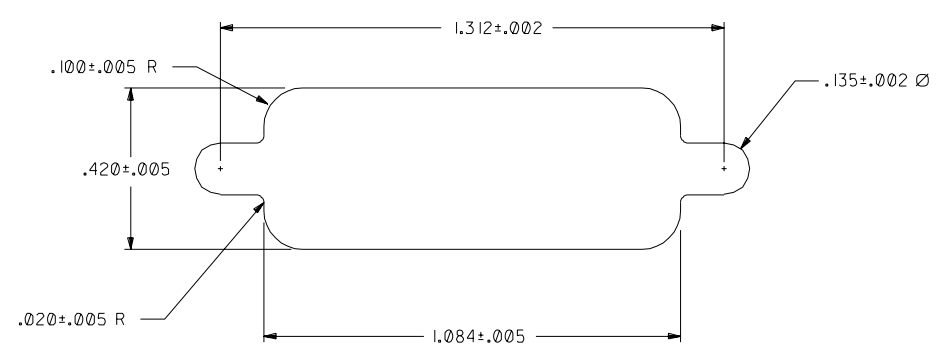
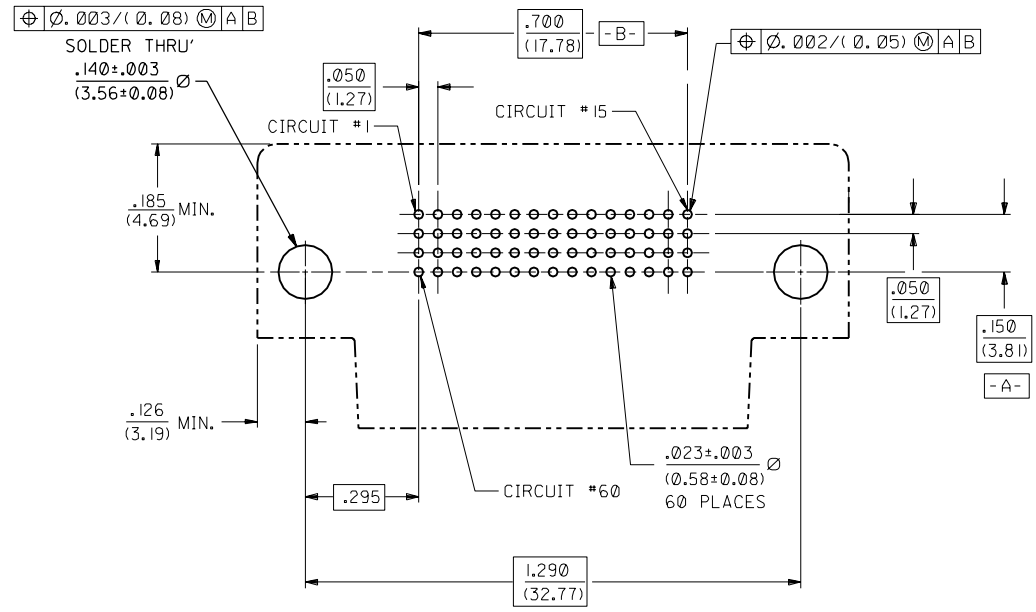
PART NUMBER	ENGINEERING NUMBER	DIM. 'A'
015-92-2250	70929-0001	.092±.012
015-92-2253	70929-0002	.104±.012

G	LEADFREE ECN# UCP2004-1998 DMORGAN 04/04/14
F1	REVISED PER ECN U8-1031 O'DELL 97/10/24
F	REVISED PER ECN U70417 SCHMIDG 96/11/08
E	REVISED PER ECN U6-1485 DRS 05/29/96
D1	REVISED PER ECN U6-1233 DRS 04/03/96
D	REVISED PER ECN U6-0641 DRS 12/01/95
C2	MODIFIED PER ECN U4-0503 DKS 4-15-94
C1	MODIFIED PER ECN U4-1051 DRS 07.15.92
C	MODIFIED PER ECN U2-0667 MOS 4.28.92
B	MODIFIED PER ECR U1-2081 MOS 10.29.91
A	RELEASED PER ECR U10958 MOS 5.16.91

DIMENSIONS SHOWN (METRIC) INCH UNLESS OTHERWISE SPECIFIED TOLERANCES: ANGULAR ± 1/2°		▽ = 0 ▼ = 0 REVERSE ONLY ON CAD SYSTEM	
3 PLACE ± --- ---		TITLE .050" PITCH LFH 60 CKT R/A D-SUB SALES ASSY. MALE	
2 PLACE ± --- ± ---		MOLEX INCORPORATED SHEET NO. DATE LITSE,ILL. 60532 U.S.A. 1 OF 2 12/17/90	
1 PLACE --- ± ---		PART NO. DRWG. NO. SEE CHART SDA-70929-0001	
DRAFT WHERE APPLICABLE MUST REMAIN WITHIN DIMENSIONS		FILE NAME 570929X1 DCN	
DRWG. BY: MOS	CHK'D. BY: CAB	SCALE: 4: 1	DIV. SIZE CD C

70929

A



F1	SEE SHEET I
E	SEE SHEET I

DIMENSIONS SHOWN (METRIC) INCH		▽ = 0		▼ = 0		REVISE ONLY ON CAD SYSTEM	
UNLESS OTHERWISE SPECIFIED TOLERANCES ANGULAR ± 1/2°							
3 PLACE ± --- ---		INCH		METRIC			
2 PLACE ± --- ± ---							
1 PLACE --- ± ---							
DRAFT WHERE APPLICABLE MUST REMAIN WITHIN DIMENSIONS							
DRWG. BY: MOS	CHK'D. BY: CAB	SCALE: 4: 1	FILE NAME: S70929X1A	DRWG. NO.: SDA-70929-0001	SHEET NO.: 2	DATE: 4/15/94	U.S.A.
SEE SHEET I				SDA-70929-0001			
THIS DRAWING CONTAINS INFORMATION THAT IS PROPRIETARY TO MOLEX INC. AND SHOULD NOT BE USED WITHOUT WRITTEN PERMISSION.							