

DRAWING MADE IN THIRD ANGLE PROJECTION

3

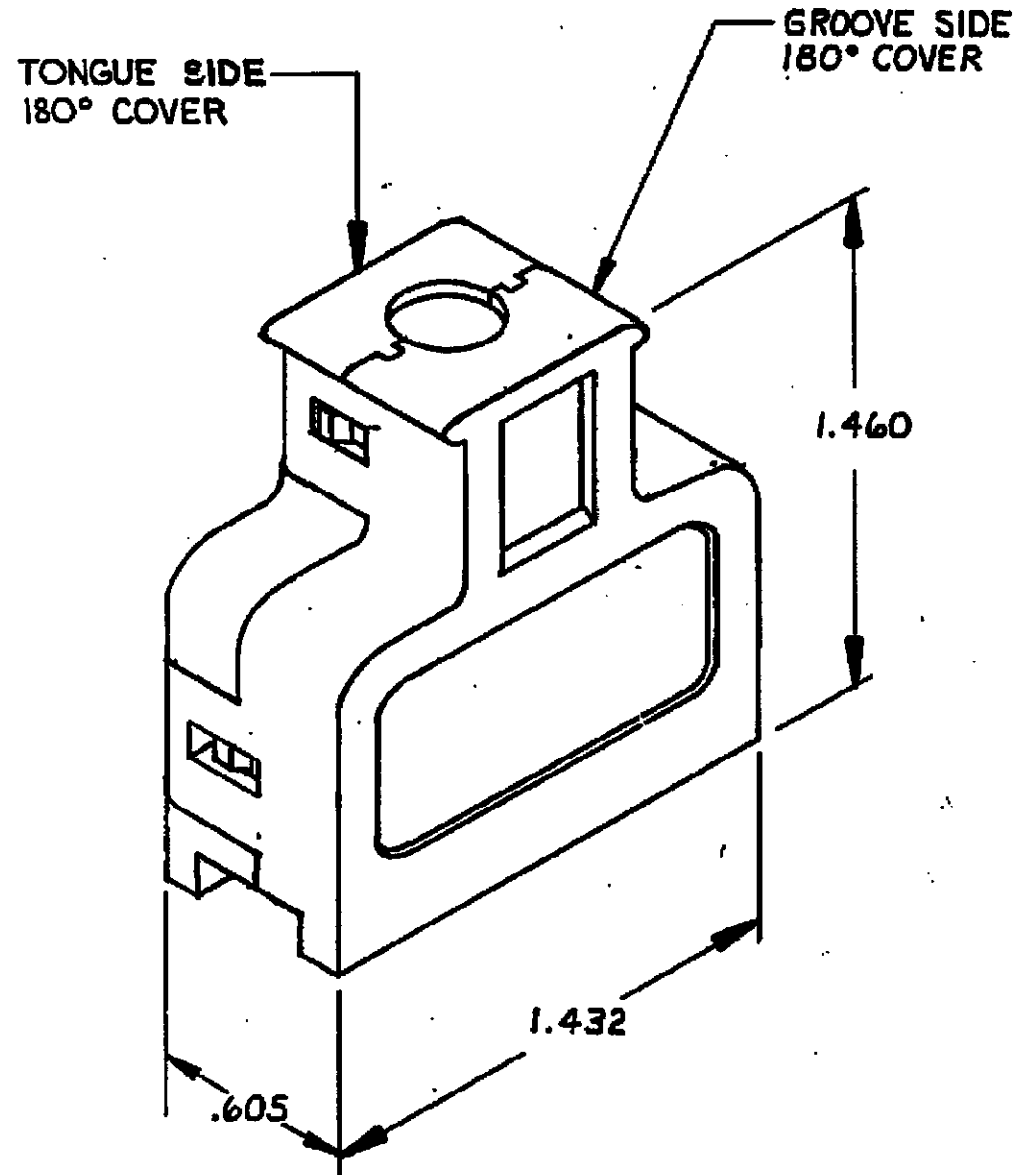
2

1 LOC AA DISP 20

THIS DRAWING IS UNPUBLISHED, RELEASED FOR PUBLICATION

COPYRIGHT

REVISIONS						
P	F	ZONE	LTR	DESCRIPTION	DATE	APPROVEC
			L1	REVISED PER ECO-11-005294	11APR11	HMR



1. ALL DIMENSIONS SHOWN ARE MAXIMUM UNLESS OTHERWISE SPECIFIED.
2. THIS KIT SHIPPED NOT ASSEMBLED.
3. PACKAGED ONE KIT PER POLY BAG.
4. 100 KITS BULK PACKED.

PACKAGED	CABLE RANGE DIAMETER	COLOR	GROOVE SIDE PART NO.	TONGUE SIDE PART NO.	KIT PART NO.
4	.320 - .380	BLACK	2- ↑ -1	2- ↑ -1	2- ↑ -1
	.280 - .320		1-552075-1	1-552074-1	1-552076-1
	.230 - .280		552075-1	552074-1	552076-1

UNLESS OTHERWISE SPECIFIED DIMENSIONS ARE IN INCHES. TOLERANCES ON: DECIMALS ± ANGLES ±		CONTRACT NO		TE Connectivity	
MATERIAL POLYPHENYLENE		DR Phil Collins 5-9-83 CHK Stephen Dow 5-26-83			
FINISH		OTHER APPD		NAME COVER KIT, 180°, 24 POSITION, CHAMP®	
				SIZE B	FSCM NO 00779
				DRAWING NO 552076	
				SCALE 2:1	
				SHEET 1 OF 1	

CUSTOMER DRAWING