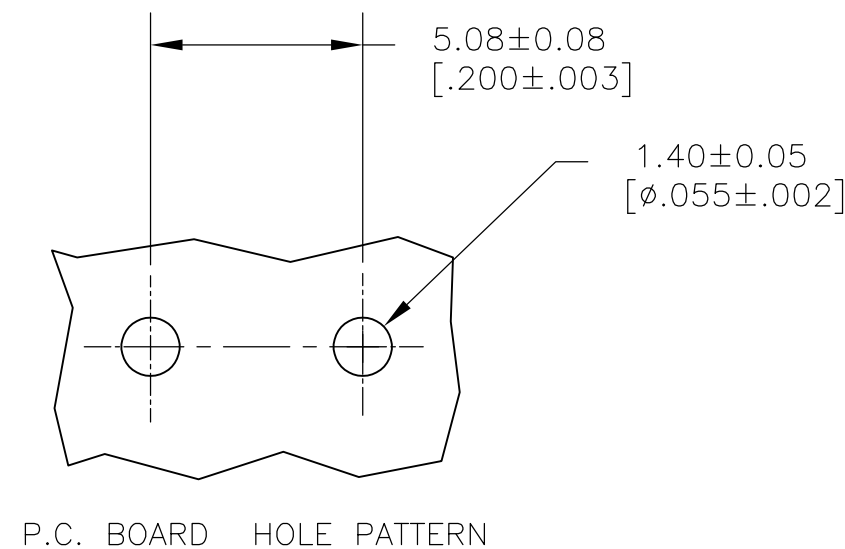
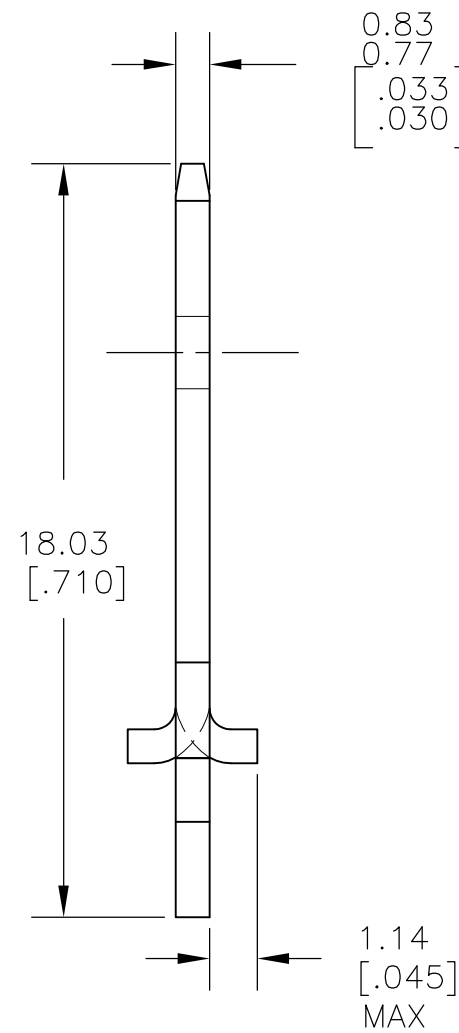
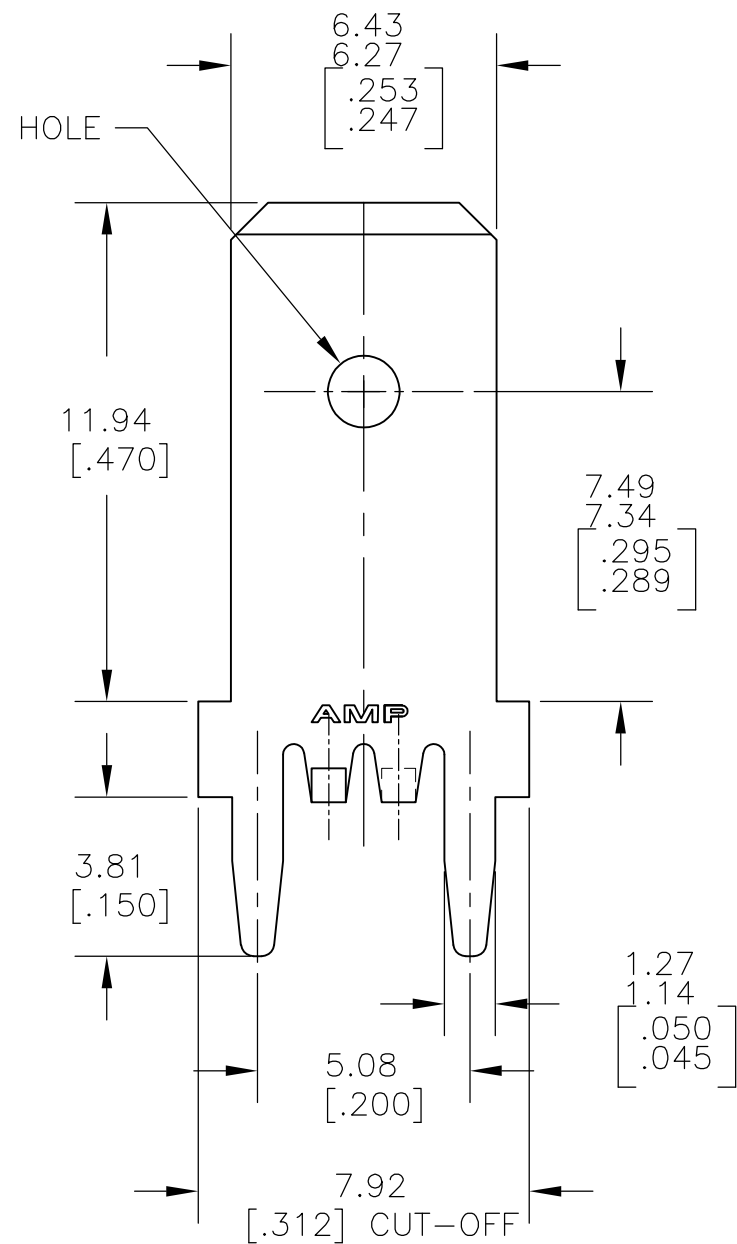


THIS DRAWING IS UNPUBLISHED. RELEASED FOR PUBLICATION - , - .
 © COPYRIGHT - By - ALL RIGHTS RESERVED.

LOC	DIST	REVISIONS			
P	LTR	DESCRIPTION	DATE	DWN	APVD
AF	50	D	REVISED PER ECR-13-001204	26JUN13	KH PD



1 CONTINUOUS STRIP ON REELS.
 2 TIN PLATE 0.00381 [.000150] MIN OVER 0.00254 [.000100] MIN THK COPPER.

1217125-1
 PART NO.

THIS DRAWING IS A CONTROLLED DOCUMENT.		DWN JR RUTH 23MAR01	STE TE Connectivity	
DIMENSIONS: mm[INCHES]		CHK MS FEHER 23MAR01		
TOLERANCES UNLESS OTHERWISE SPECIFIED:		APVD N DEIBERT 23MAR01	NAME	
0 PLC ± -		PRODUCT SPEC	TAB, FASTON, P.C.BOARD	
1 PLC ± -		APPLICATION SPEC	6.35 [.250]	
2 PLC ± 0.25 [.010]		WEIGHT -	SIZE A3	CAGE CODE 00779
3 PLC ± -		FINISH 2	DRAWING NO C-1217125	
4 PLC ± -			RESTRICTED TO -	
ANGLES ± -		CUSTOMER DRAWING		SCALE 6:1
MATERIAL BRASS		SHEET 1 of 1		REV D