

PART NO.	ENGINEERING NO.	FINISHED LENGTH
1300621266	223032K13M010	1M (3' 3")
1300621267	223032K13M020	2M (6' 7")
1300621273	223032K13M100	10M (32' 10")

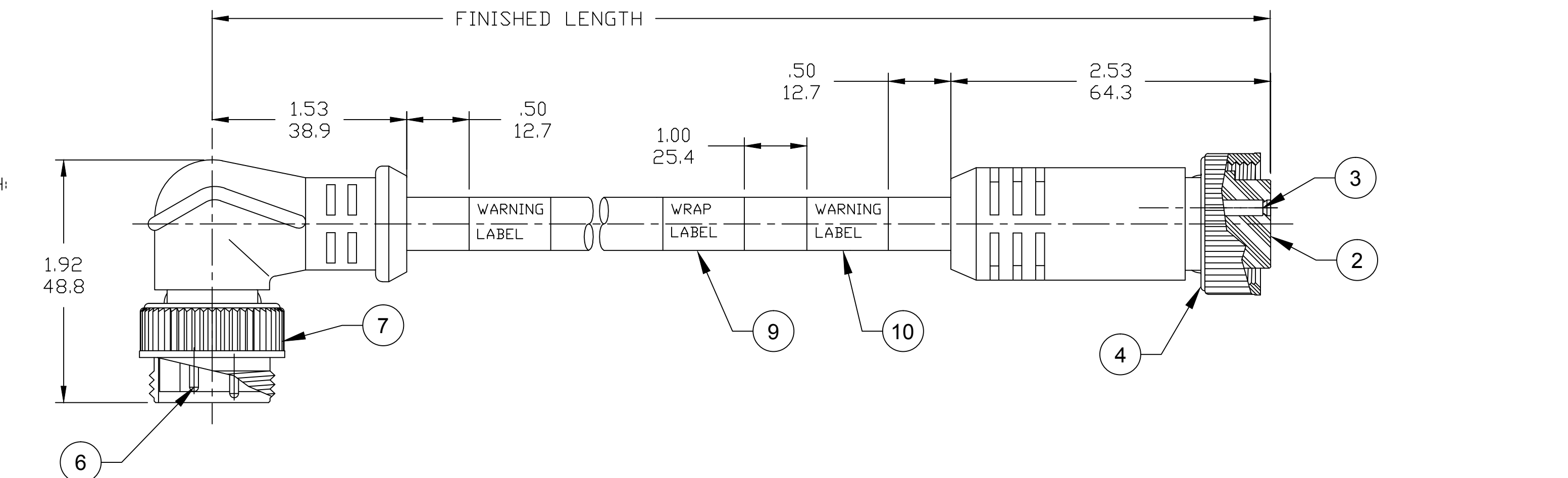
CABLE LENGTH TOLERANCES	
>.3M [1FT]:	+19mm-0 [+1.75in-0]
.3 - .9M [1 - 3FT]:	+44.5mm-0 [+1.75in-0]
.9 - 1.8M [3 - 6FT]:	+55.6mm-0 [+2.19in-0]
1.8 - 3.7M [6 - 12FT]:	+88.9mm-0 [+3.50in-0]
3.7 - 7.3M [12 - 24FT]:	+165.1mm-0 [+6.50in-0]
7.3-14.6M [24 - 48FT]:	+317.5mm-0 [+12.50in-0]
14.6 - 30.5M [48-100FT]:	+622.3mm-0 [+24.50in-0]
OVER 30M [100FT]:	+2% OF FINISHED LENGTH

**PART NUMBER LEGEND**

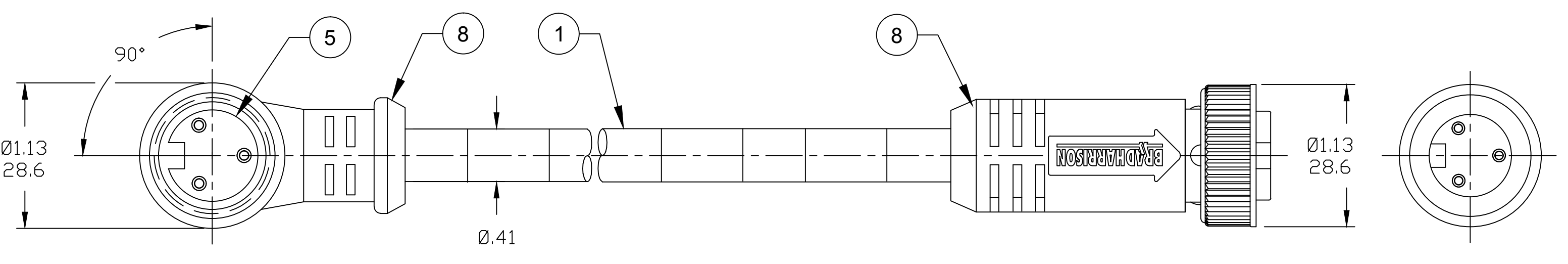
223032K13M010

CABLE TYPE  
16/3 TC-ER  
TPE HI-FLEX

FINISHED LENGTH:  
M005= 0.5 METER  
M010= 1 METER  
M100= 10 METER



- NOTES:**
1. MATERIAL: AS NOTED
  2. FINISH: AS NOTED
  3. ELECTRICAL:  
VOLTAGE: 600  
CURRENT: 13A
  4. TEMP RATING: -25°TO +90°C
  5. PROTECTION: IP67 (WHEN MATED)
  6. COUPLING THREAD: 1-16 UN
  7. ALL DIMS ARE FOR REFERENCE UNLESS TOLERANCED OR NOTED OTHERWISE



**CABLE FLEX CHARACTERISTICS**

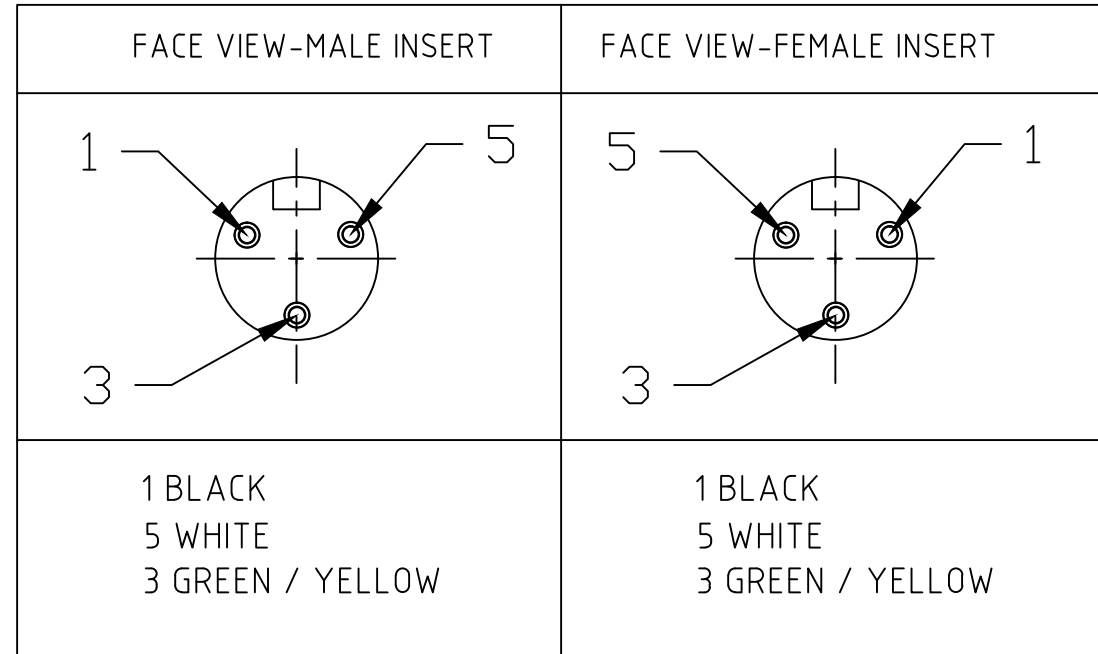
TORSIONAL FLEX TEST	20 MILLION CYCLES PER MIL-C-13777G
BEND FLEX TEST	20 MILLION CYCLES PER MIL-C-13777G
WELD SLAG RESISTANCE	WOODHEAD STANDARD S-300

ITEM	DESCRIPTION	MATERIAL	FINISH
10	WARNING LABEL	VINYL	BLACK/DRANGE
9	WRAP LABEL	VINYL	BLACK/YELLOW
8	OVERMOLD	PVC	YELLOW
7	COUPLING, MALE	ZINC DIE-CAST	BLACK
6	CONTACT PIN	COPPER ALLOY	GOLD PLATED
5	MALE INSERT (B-SIZE)	PVC	BLACK
4	COUPLING, FEMALE	ZINC DIE-CAST	BLACK
3	CONTACT SOCKET	COPPER ALLOY	GOLD PLATED
2	FEMALE INSERT (B-SIZE)	PVC	BLACK
1	CABLE, 16AWG (FLEX)	TPE JACKET	YELLOW

RELEASED  
EC NO: ICG2019-0402  
DRWN: RSTONE 2019/02/18  
CHKD: M ZIELIN 2019/03/14  
APPR: BWOODMAN 2019/03/14

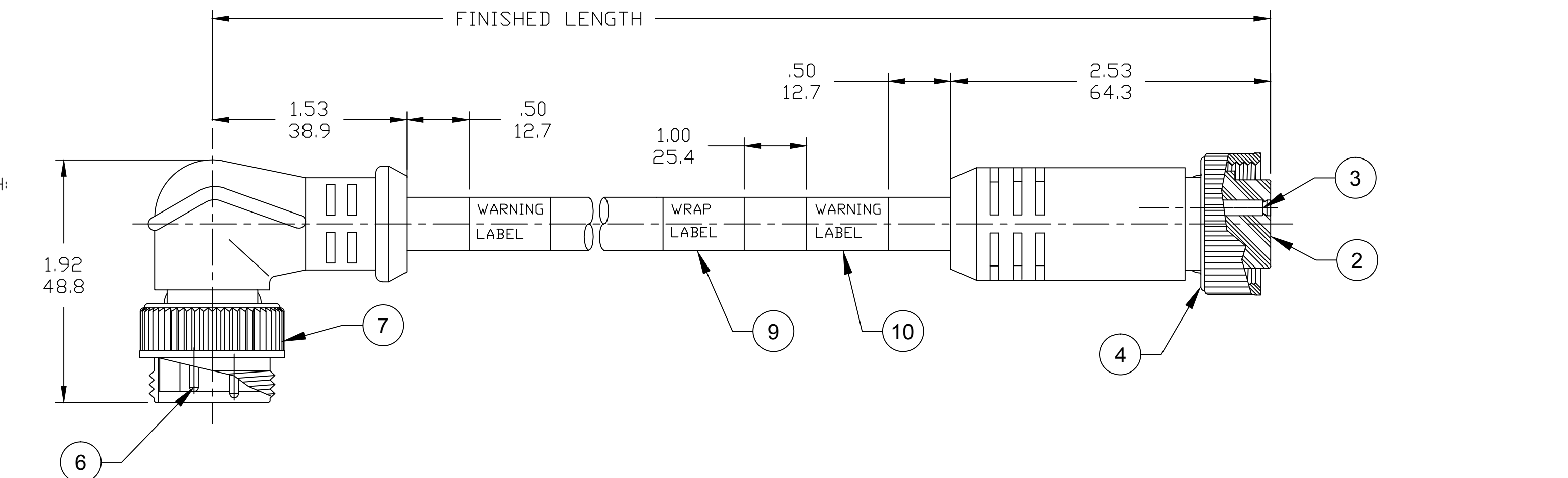
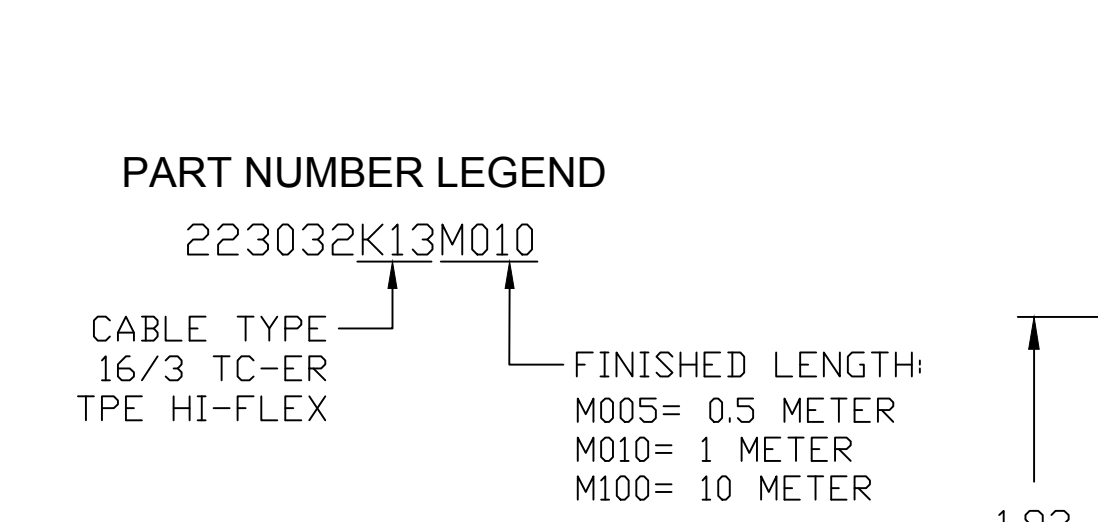
QUALITY SYMBOL  
▽=0  
▽C=0

GENERAL TOLERANCES (UNLESS SPECIFIED)		DIMENSION STYLE INCH/MM		SCALE	DESIGN UNITS	THIRD ANGLE PROJECTION	
	mm	INCH	DRAWN BY	DATE	TITLE		
4 PLACES	±---	±---	RSTONE	2019/02/18	MC MALE/FEM EXT CORD 90 DEG/STR 3P B-SIZE 16/3 TPE YELLOW		
3 PLACES	±---	±---	CHECKED BY	DATE			
2 PLACES	±---	±---	M ZIELIN	2019/03/14			
1 PLACE	±---	±---	APPROVED BY	DATE	MOLEX INCORPORATED		
ANGULAR ±---°		BWOODMAN		2019/03/14		DOCUMENT NO.	
DRAFT WHERE APPLICABLE MUST REMAIN WITHIN DIMENSIONS			MATERIAL NO. ---		SD-130062-042	SHEET NO. 1 OF 1	
SIZE C		THIS DRAWING CONTAINS INFORMATION THAT IS PROPRIETARY TO MOLEX INCORPORATED AND SHOULD NOT BE USED WITHOUT WRITTEN PERMISSION					

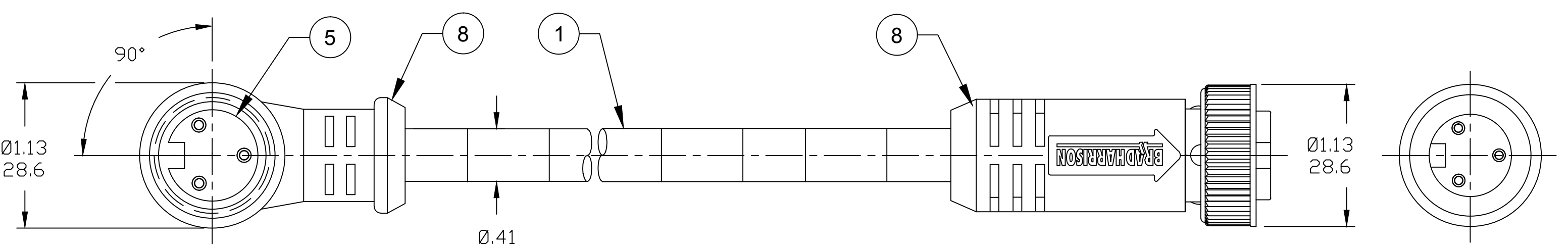


PART NO.	ENGINEERING NO.	FINISHED LENGTH
1300621266	223032K13M010	1M (3' 3")
1300621267	223032K13M020	2M (6' 7")
1300621273	223032K13M100	10M (32' 10")

CABLE LENGTH TOLERANCES	
>.3M [1FT]:	+19mm-0 [+1.75in-0]
.3 - .9M [1 - 3FT]:	+44.5mm-0 [+1.75in-0]
.9 - 1.8M [3 - 6FT]:	+55.6mm-0 [+2.19in-0]
1.8 - 3.7M [6 - 12FT]:	+88.9mm-0 [+3.50in-0]
3.7 - 7.3M [12 - 24FT]:	+165.1mm-0 [+6.50in-0]
7.3-14.6M [24 - 48FT]:	+317.5mm-0 [+12.50in-0]
14.6 - 30.5M [48-100FT]:	+622.3mm-0 [+24.50in-0]
OVER 30M [100FT]:	+2% OF FINISHED LENGTH



- NOTES:**
1. MATERIAL: AS NOTED
  2. FINISH: AS NOTED
  3. ELECTRICAL:  
VOLTAGE: 600  
CURRENT: 13A
  4. TEMP RATING: -25°TO +90°C
  5. PROTECTION: IP67 (WHEN MATED)
  6. COUPLING THREAD: 1-16 UN
  7. ALL DIMS ARE FOR REFERENCE UNLESS TOLERANCED OR NOTED OTHERWISE



**CABLE FLEX CHARACTERISTICS**

TORSIONAL FLEX TEST	20 MILLION CYCLES PER MIL-C-13777G
BEND FLEX TEST	20 MILLION CYCLES PER MIL-C-13777G
WELD SLAG RESISTANCE	WOODHEAD STANDARD S-300

ITEM	DESCRIPTION	MATERIAL	FINISH
10	WARNING LABEL	VINYL	BLACK/DRANGE
9	WRAP LABEL	VINYL	BLACK/YELLOW
8	OVERMOLD	PVC	YELLOW
7	COUPLING, MALE	ZINC DIE-CAST	BLACK
6	CONTACT PIN	COPPER ALLOY	GOLD PLATED
5	MALE INSERT (B-SIZE)	PVC	BLACK
4	COUPLING, FEMALE	ZINC DIE-CAST	BLACK
3	CONTACT SOCKET	COPPER ALLOY	GOLD PLATED
2	FEMALE INSERT (B-SIZE)	PVC	BLACK
1	CABLE, 16AWG (FLEX)	TPE JACKET	YELLOW

RELEASED  
EC NO: ICG2019-0402  
DRWN: RSTONE 2019/02/18  
CHKD: M ZIELIN 2019/03/14  
APPR: BWOODMAN 2019/03/14

QUALITY SYMBOL  
▽=0  
▽C=0

GENERAL TOLERANCES (UNLESS SPECIFIED)		DIMENSION STYLE INCH/MM		SCALE	DESIGN UNITS	THIRD ANGLE PROJECTION	
	mm	INCH	DRAWN BY	DATE	TITLE		
4 PLACES	±---	±---	RSTONE	2019/02/18	MC MALE/FEM EXT CORD 90 DEG/STR 3P B-SIZE 16/3 TPE YELLOW		
3 PLACES	±---	±---	CHECKED BY	DATE			
2 PLACES	±---	±---	M ZIELIN	2019/03/14			
1 PLACE	±---	±---	APPROVED BY	DATE	MOLEX INCORPORATED		
ANGULAR ±---°		BWOODMAN		2019/03/14		DOCUMENT NO.	SHEET NO.
DRAFT WHERE APPLICABLE MUST REMAIN WITHIN DIMENSIONS			MATERIAL NO. ---		SD-130062-042	1 OF 1	
SIZE C		THIS DRAWING CONTAINS INFORMATION THAT IS PROPRIETARY TO MOLEX INCORPORATED AND SHOULD NOT BE USED WITHOUT WRITTEN PERMISSION					