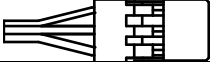
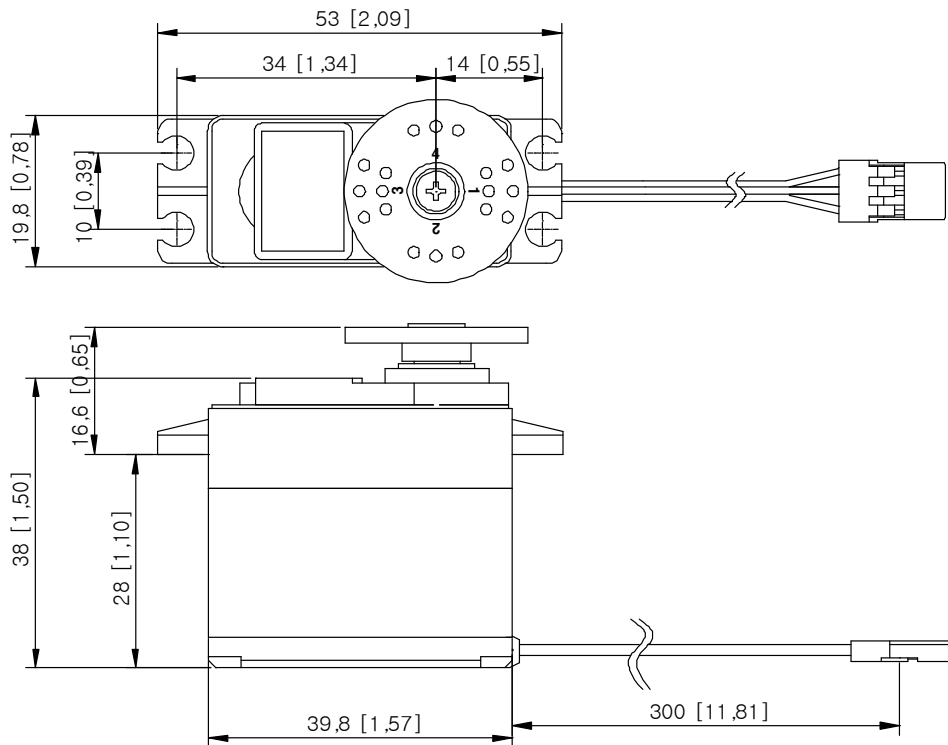


HS-485HB General Specification.



STANDARD SERVO

Control system	PWM			-
Position sensor type	Contact Analog Potentiometer			-
Operating voltage range	4.8 ~ 6.0 V			-
Motor type	Cored Metal Brush			-
Voltage	4.8V	6.0V	-	At 25°C, 45% (±10%) measurement environment
No load speed	0.22sec/60°	0.18sec/60°	-	
Stall torque	4.8 kgf·cm(66.66oz·in)	6.0 kgf·cm(83.32oz·in)	-	
Standing current	8.0mA	10.0mA	-	
No load running current	180mA	200mA	-	
Stall current	1,000mA	1,200mA	-	
Dead band width	3usec	3usec	-	
Operating travel	40°/One side pulse traveling 400usec			
Operating temperature range	-20°C ~ +60°C (-4°F ~ +140°F)			-
Vibrations at no load	-			-
Storage temperature range	-30°C ~ +80°C (-31°F ~ +176°F)			-
Connector wire length	300mm(11.81inch)			
Connector wire gauge	24AWG			
Dimensions	39.8 mm x 19.8 mm x 38.0 mm (1.57inch x 0.78inch x 1.5 inch)			-
Weight	45.0 g(1.59oz)			-
Ball bearing	Dual Ball Bearing			-
Case material	Engineering Plastic			-
Gear material	4 Heavy Duty Resin			-
Gear train backlash	Max 0.5°			-
Horn gear spline	24T(Ø6)			-
IP rate	-			-
Servo Amplifier type	Analog Contorller			-
Features	-			-
Applications	-			-



1:1 scale (unit : mm)

