



MS86W Series

Ø86mm LED Low-head
Multi-Function indicator light

- 2 flashing patterns(Selectable by DIP switch)
- Energy efficient: Low power consumption
- Main body: heat resistant ABS resin
- Good for both indoor or outdoor



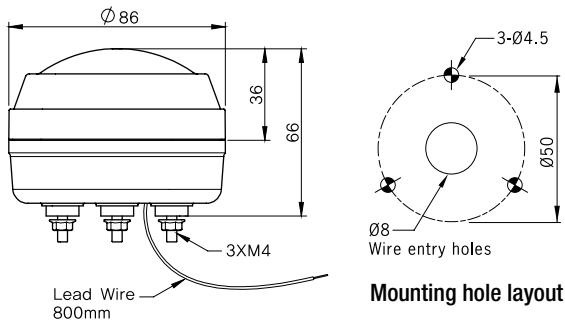
Ordering Information

MS86W - R 00 - R
① ② ③

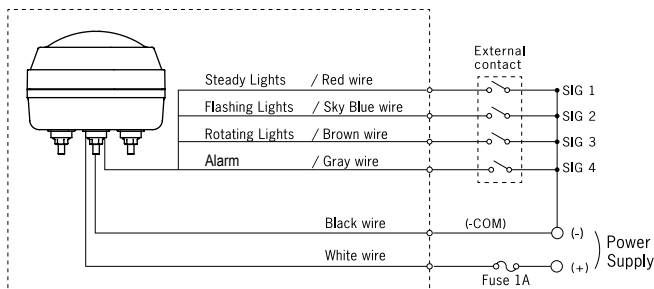
① Style	R	Steady + Flashing + Rotating
	B	Steady + Flashing + Rotating + Alarm (24V AC/DC only)
② Power	00	12-24V AC/DC (R-type only)
	02	24V AC/DC (B-type only)
	FF	100-220V AC (R-type only)
③ Lens Colors	R	Red
	Y	Yellow
	G	Green
	B	Blue
	C	Clear

Dimensions

unit: mm



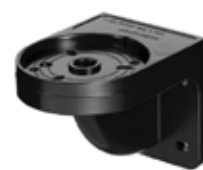
Wiring Diagram



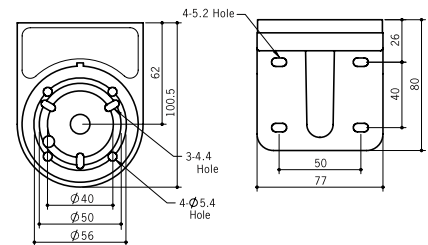
Specifications

Functions	Steady, Flashing, Rotating w/Audible Alarm		
Input Voltate Options	12~24V AC/DC		
Current Consumption (RMS value ±10%)		LED	w/Alarm
	R	0.50A	0.53A
	Y	0.50A	0.53A
	G	0.30A	0.34A
	B	0.35A	0.38A
	C	0.38A	0.40A
Flashing Rate	F1: 80 ±10 flashes/minute		
	F3: 240 ±10 flashes/minute(Emergency Signal)		
Rotating Rate	Approx. 130 ±20 rpm (clockwise rotation)		
Alarm Sound Level	80 ±5dB at 1m		
Vibration	Operating extremes:10~55 Hz, amplitude 0.75mm		
Insulation Resistance	100 MΩ minimum (500VDC mega)		
Ambient Temperature	-15~40°C		
Storage Temperature	-20~70°C		
Ambient Humidity	45~85% RH		
Degree of Protection	IP65		
Recommended Wire Size	UL1007/22AWG		
Weight	170g		
Certificate/Compliance	RoHS, UL		

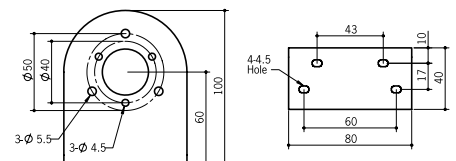
Wall mounting options (for all MS86 Series)



Model: MAM-DS30
Material: ABS resin



Model: MAM-DS26
Material: Steel



See page 19 - 21
for mounting options and accessories