

注記 NOTES

- ① 材料及び仕上げ (めっき仕様) : TABLE 1, TABLE2 参照
MATERIAL AND FINISHES (PLATING SPECIFICATION) : SEE TABLE 1, TABLE2.
- ② 嵌合相手 : 505432シリーズ
MATE WITH : 505432 SERIES
- 3. 端子テール部 及び ネイルの平坦度 : 0.12 MAXIMUM.
TAIL AND NAIL COPLANARITY TO BE 0.12 MAXIMUM.
- ④ 極数 / 2 = 偶数に適用。
APPLY TO CIRCUIT SIZE / 2 = EVEN.
- 5. 製品仕様書 : 5054320000 PS 006
PRODUCT SPECIFICATION : 5054320000 PS 006
- ⑥ 発注番号 ORDER NUMBER

| | | |
|--------------------|--|------------|
| 極数 CIRCUIT SIZE | | 505448 *** |
| 番号 NO. | 接点部 金めっき厚 CONTACT GOLD PLATING THICKNESS [MICROMETER MINIMUM] | 番号 NO. |
| 9 | 0.1 | 0 |
| 3 | 0.38 | 1 |
| 5 | 0.76 | 2 |
| | | 4 |
| | | 6 |

| | |
|-----------|---------------------------------|
| 番号 NO. | ハウジングカラー HOUSING COLOR |
| 0 | ナチュラル (ベージュ) NATURAL (BEIGE) |
| 1 | 黒 BLACK |
| 2 | 赤 RED |
| 4 | 青 BLUE |
| 6 | 緑 GREEN |

7. コネクタ取扱説明書 : 5054320000-AS PS 000
APPLICATION SPECIFICATION : 5054320000-AS PS 000

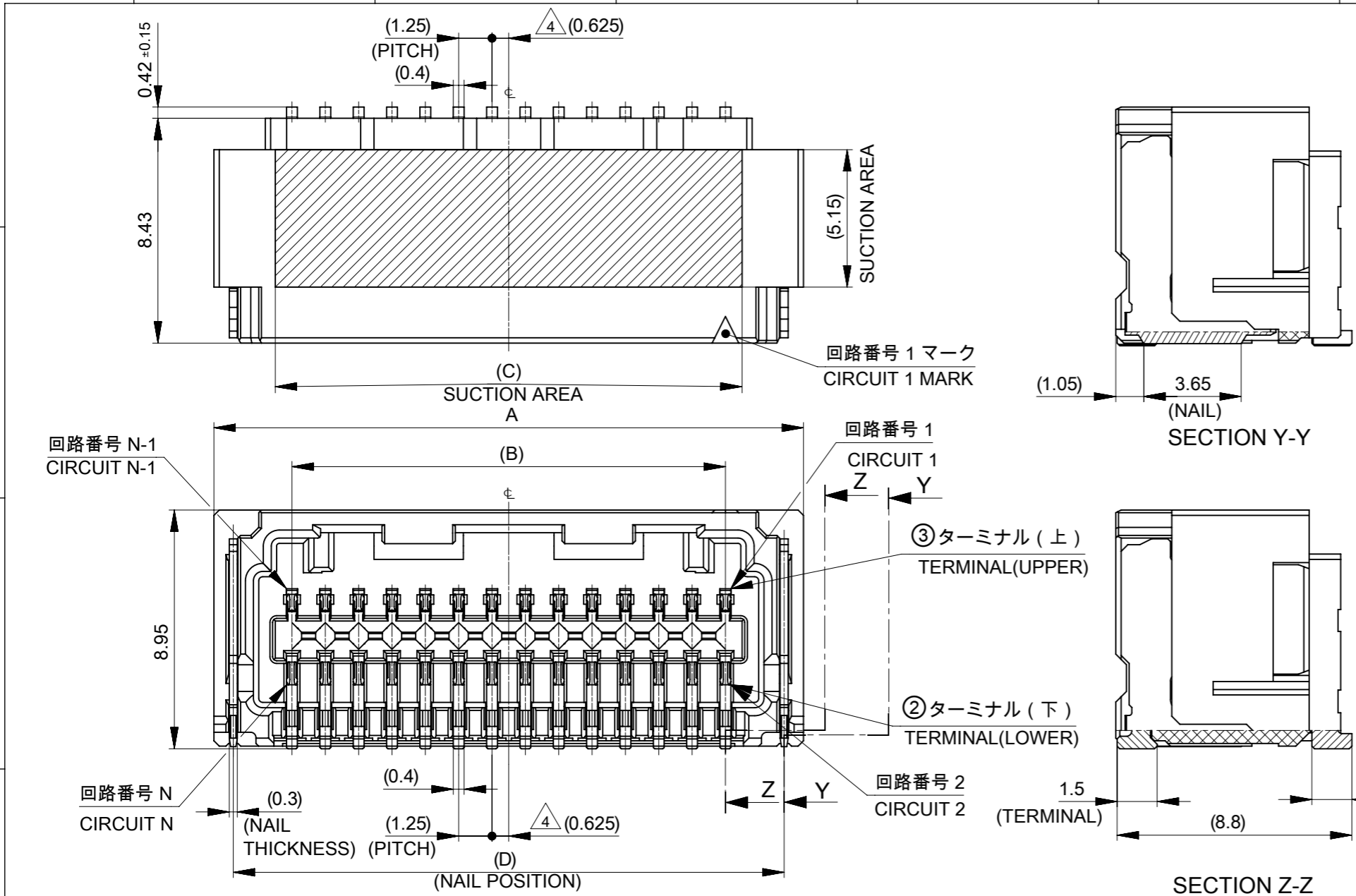
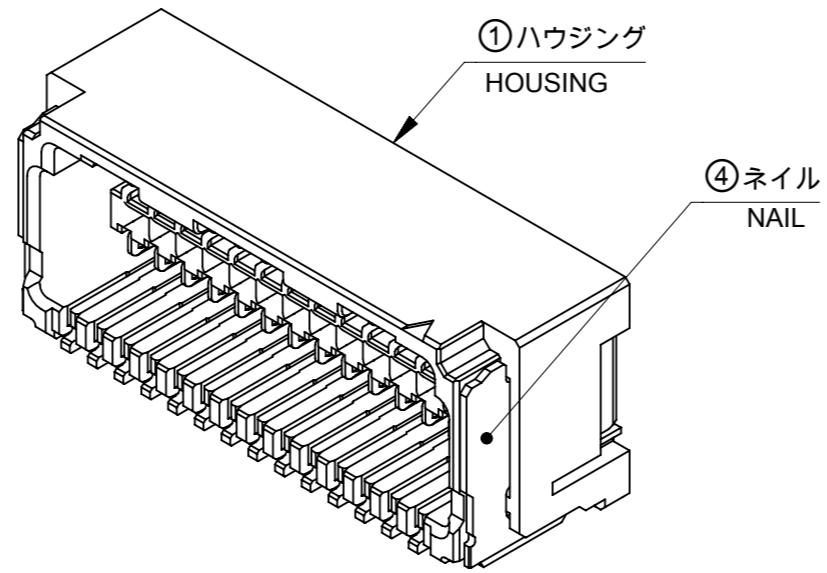
| | | | | | | | | | | | | |
|------|------|------|---------|-------|-------|-------|------------------------------------|--------------------|------|------|-------|----|
| 49.4 | 45.4 | 20.2 | 44 ±0.3 | 29.4 | 26.25 | 25 | 30.85 | 42 | | | | |
| | | | | 28.15 | 25 | 23.75 | 29.6 | 40 | | | | |
| | | | | 26.9 | 23.75 | 22.5 | 28.35 | 38 | | | | |
| | | | | 25.65 | 22.5 | 21.25 | 27.1 | 36 | | | | |
| | | | | 24.4 | 21.25 | 20 | 25.85 | 34 | | | | |
| | | | | 23.15 | 20 | 18.75 | 24.6 | 32 | | | | |
| | | | | 21.9 | 18.75 | 17.5 | 23.35 | 30 | | | | |
| | | | | 20.65 | 17.5 | 16.25 | 22.1 | 28 | | | | |
| 37.4 | 33.4 | 14.2 | 32 ±0.3 | 19.4 | 16.25 | 15 | 20.85 | 26 | | | | |
| | | | | 18.15 | 15 | 13.75 | 19.6 | 24 | | | | |
| | | | | 16.9 | 13.75 | 12.5 | 18.35 | 22 | | | | |
| | | | | 15.65 | 12.5 | 11.25 | 17.1 | 20 | | | | |
| | | | | 14.4 | 11.25 | 10 | 15.85 | 18 | | | | |
| | | | | 13.15 | 10 | 8.75 | 14.6 | 16 | | | | |
| | | | | 29.4 | 25.4 | 11.5 | 24 ^{+0.3} _{-0.1} | 11.9 | 8.75 | 7.5 | 13.35 | 14 |
| | | | | | | | | 10.65 | 7.5 | 6.25 | 12.1 | 12 |
| 9.4 | 6.25 | 5 | 10.85 | | | | | 10 | | | | |
| 8.15 | 5 | 3.75 | 9.6 | | | | | 8 | | | | |
| H | G | F | E | D | C | B | A | 極数 CIRCUIT SIZE | | | | |

| | | | | | | |
|---|--------|------------------------|---------|--|-----------------|--------------|
| THIS DRAWING CONTAINS INFORMATION THAT IS PROPRIETARY TO MOLEX ELECTRONIC TECHNOLOGIES, LLC AND SHOULD NOT BE USED WITHOUT WRITTEN PERMISSION | | CURRENT REV DESC: | | molex | | |
| DIMENSION UNITS | SCALE | | | | | |
| mm | NTS | | | MICRO-LOCK PLUS 1.25 W/B DUAL ROW RIGHT ANGLE SMT PLUG ASSEMBLY GOLD PLATING | | |
| GENERAL TOLERANCES (UNLESS SPECIFIED) | | | | PRODUCT CUSTOMER DRAWING | | |
| ANGULAR TOL | ± 3.0° | | | DOCUMENT NUMBER | | |
| 4 PLACES | ± 0.2 | EC NO: 720259 | | 5054480003-SD | | |
| 3 PLACES | ± 0.2 | DRWN: SOKUMURA01 | | DOC TYPE | | |
| 2 PLACES | ± 0.2 | CHK'D: SAKIYAMA | | PSD | | |
| 1 PLACE | ± 0.2 | APPR: AIDA | | 000 | | |
| 0 PLACES | ± 0.2 | INITIAL REVISION: | | C | | |
| DRAFT WHERE APPLICABLE MUST REMAIN WITHIN DIMENSIONS | | THIRD ANGLE PROJECTION | DRAWING | SERIES | MATERIAL NUMBER | CUSTOMER |
| | | | A3-SIZE | 505448 | SEE SHEET 4 | GENERAL |
| | | | | | | SHEET NUMBER |
| | | | | | | 1 OF 4 |

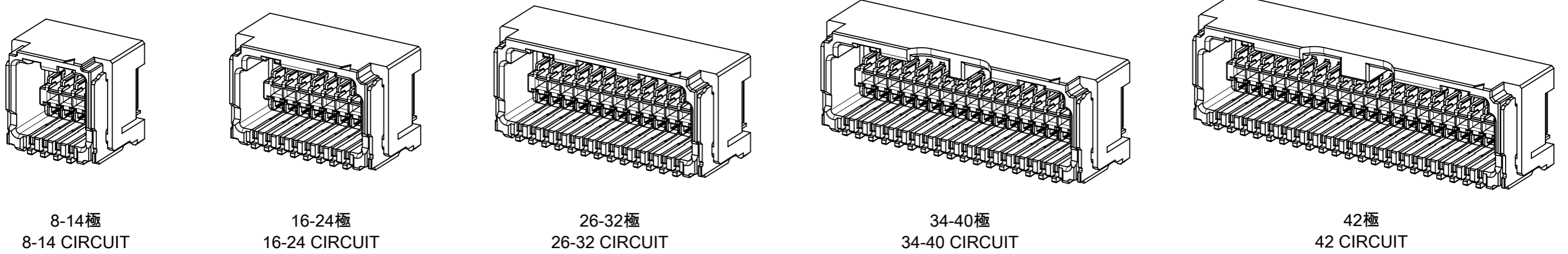
① TABLE 1

| 番号 NO. | 部品 PART | 材質 MATERIAL |
|-----------|-------------------|--|
| ① | ハウジング HOUSING | POLYAMIDE(PA) UL94V-0 色 : SHEET 4参照 POLYAMIDE(PA) UL94V-0 COLOR : SEE SHEET 4. |
| ② | ターミナル TERMINAL | 黄銅 BRASS 接点部 : 金めっきめっき厚は注記6参照 CONTACT : GOLD PLATING PLATING THICKNESS : SEE NOTE 6. ニッケルめっき (下地めっき) : 2.0 MICROMETER MINIMUM NICKEL PLATING (UNDER PLATING) |
| ④ | ネイル NAIL | 黄銅 BRASS 錫ビスマスめっき : 1.0 MICROMETER MINIMUM TIN-BISMUTH PLATING ニッケルめっき (下地めっき) : 1.0 MICROMETER MINIMUM NICKEL PLATING (UNDER PLATING) |

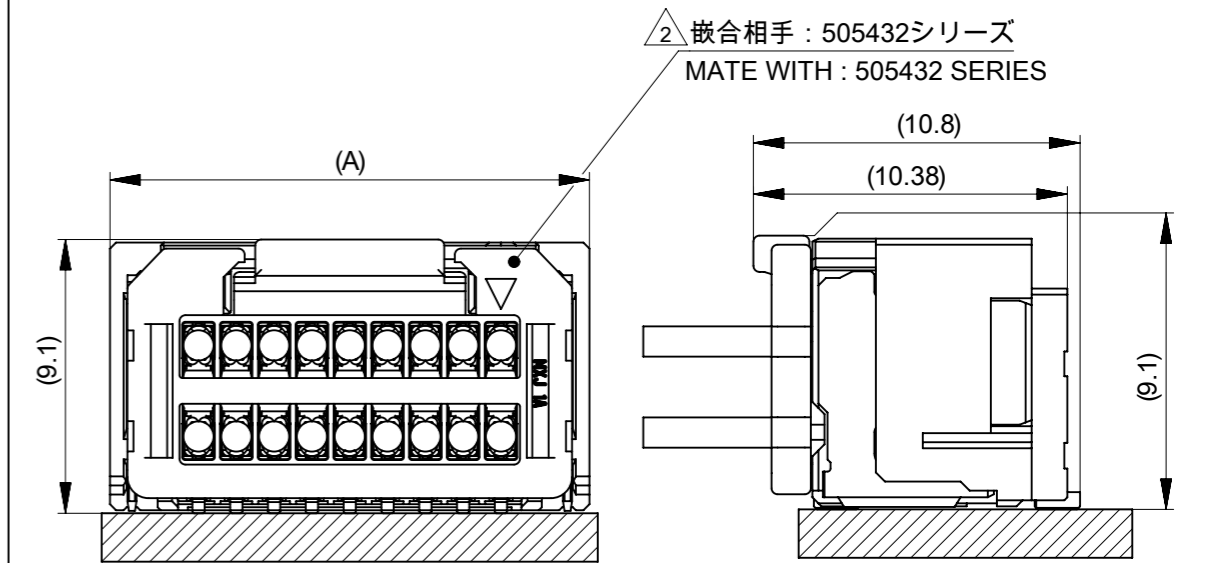
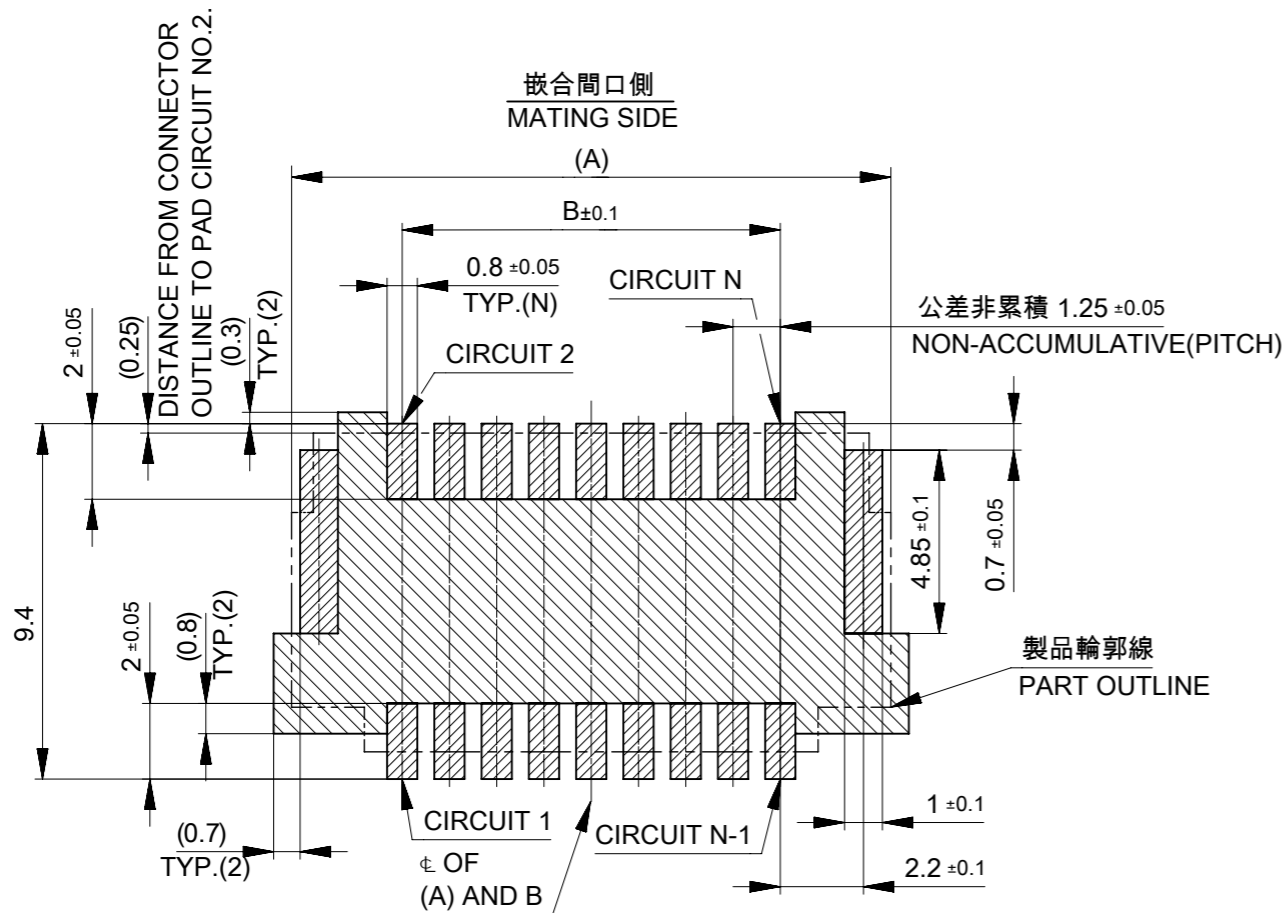
| | | | | |
|-----------------|----|--------------|------------|----------|
| DOCUMENT STATUS | P1 | RELEASE DATE | 2022/11/30 | 05:04:04 |
|-----------------|----|--------------|------------|----------|



製品形状
PRODUCT SHAPE



嵌合状態図
MATED CONNECTORS

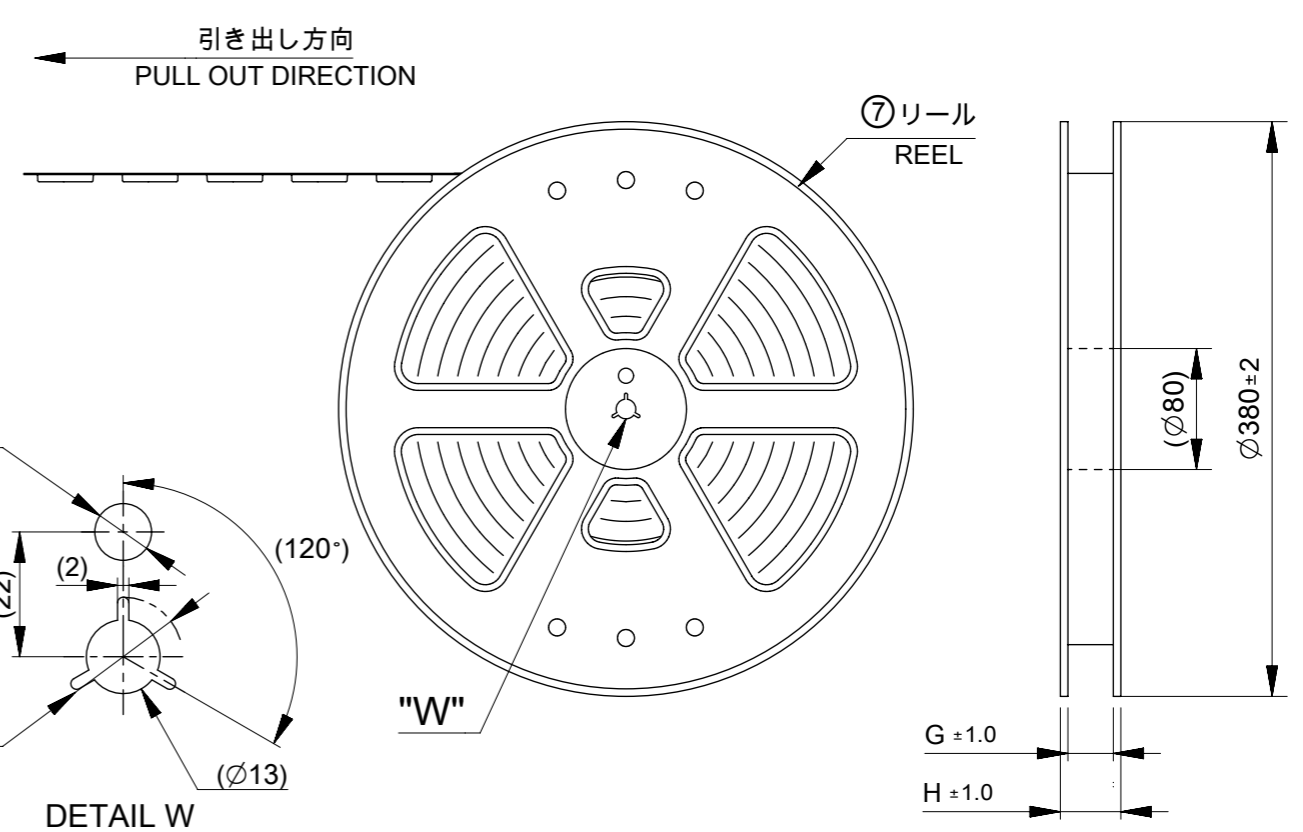
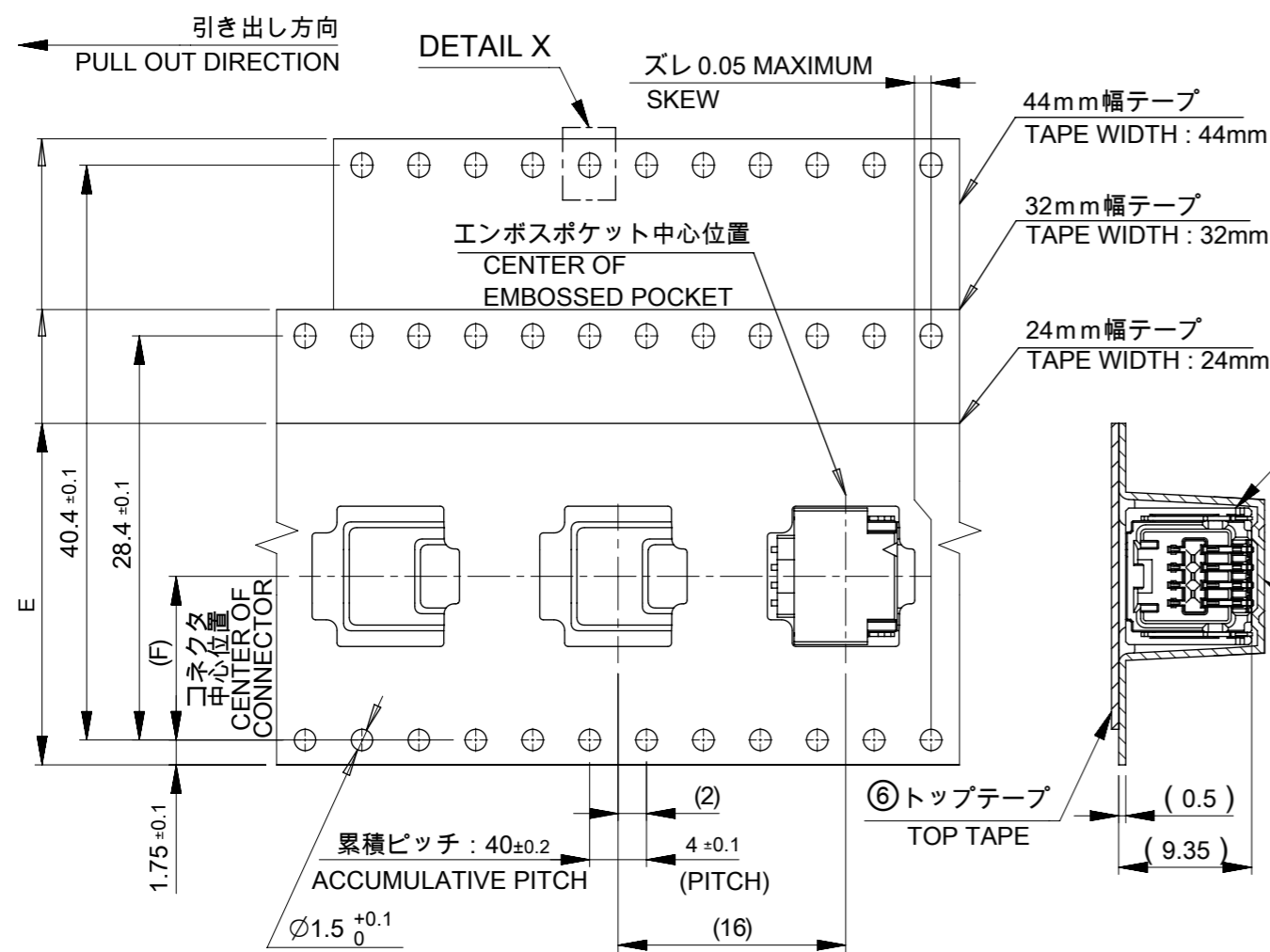


基板パターンレイアウト (参考)
(参考 : 基板厚 1.6mm, メタルマスク厚さ 0.15mm, マスク開口率 100%)

RECOMMEND PCB LAYOUT : COMPONENT SIDE
(REFERENCE : PCB THICKNESS 1.6mm, STENCIL THICKNESS 0.15mm, APERTURE RATIO 100%)

パターン非推奨エリア
パターンを引き回す際は、製品機能に影響がないことをご確認ください。
PATTERN IS NOT RECOMMENDED ON THE HATCHING AREA
PLEASE CHECK NOT TO HAVE PROBLEM FOR PRODUCT FUNCTION
WHEN SETTING PATTERN ON THE HATCHING AREA.

| | | | | | | | | | |
|---|--|-------|--|------------------------|--|--------------|--|---------------------|--|
| THIS DRAWING CONTAINS INFORMATION THAT IS PROPRIETARY TO MOLEX ELECTRONIC TECHNOLOGIES, LLC AND SHOULD NOT BE USED WITHOUT WRITTEN PERMISSION | | | | | | | | | |
| DIMENSION UNITS | | SCALE | | CURRENT REV DESC: | | | | | |
| mm | | NTS | | | | | | | |
| GENERAL TOLERANCES (UNLESS SPECIFIED) | | | | | | | | | |
| ANGULAR TOL | | | | ± 3.0° | | | | | |
| 4 PLACES | | ± 0.2 | | EC NO: 720259 | | 2022/11/09 | | | |
| 3 PLACES | | ± 0.2 | | DRWN: SOKUMURA01 | | 2022/11/28 | | | |
| 2 PLACES | | ± 0.2 | | CHK'D: SAKIYAMA | | 2022/11/30 | | | |
| 1 PLACE | | ± 0.2 | | APPR: AIDA | | | | | |
| 0 PLACES | | ± 0.2 | | INITIAL REVISION: | | | | | |
| | | | | DRWN: TAKAIKE | | 2019/08/21 | | | |
| | | | | APPR: AIDA | | 2019/12/26 | | | |
| DRAFT WHERE APPLICABLE MUST REMAIN WITHIN DIMENSIONS | | | | THIRD ANGLE PROJECTION | | DRAWING | | SERIES | |
| | | | | A3-SIZE | | 505448 | | | |
| | | | | MATERIAL NUMBER | | CUSTOMER | | SHEET NUMBER | |
| | | | | SEE SHEET 4 | | GENERAL | | 2 OF 4 | |
| DOCUMENT STATUS | | | | P1 | | RELEASE DATE | | 2022/11/30 05:04:04 | |



注記 NOTES

- 8. 梱包数量 : 500個
NUMBER OF CONNECTORS : 500 PIECES/REEL.
- 9. 梱包仕様書 : 5054489200 PS 200
PACKING SPECIFICATION : 5054489200 PS 200
- 10. リードテープ長さ
LEAD TAPE LENGTH

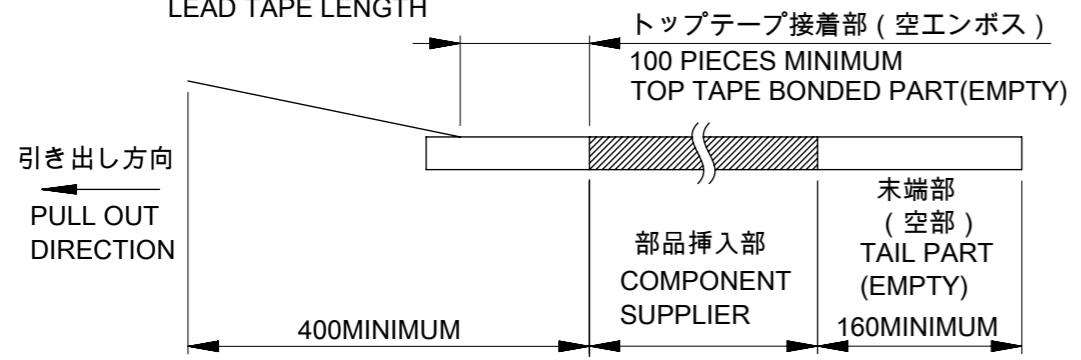
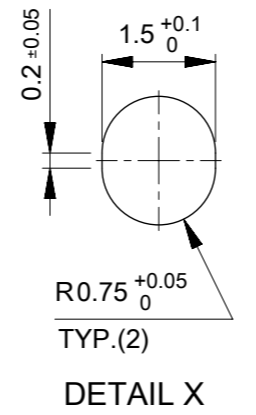


TABLE 2 TOP TAPE PEEL FORCE IS DEFINED BY IEC60286-3.

| 番号 NO. | 部品 PART | 材質 MATERIAL |
|--------|-----------------------|--|
| ⑤ | エンボステープ EMBOSSED TAPE | ポリスチレン(PS) POLYSTYRENE(PS) |
| ⑥ | トップテープ TOP TAPE | ポリエチレン(PE)、その他 POLYETHYLENE(PE), OTHER |
| ⑦ | リール REEL | ポリスチレン(PS) <リサイクル材を含む> POLYSTYRENE(PS) <RECYCLE MATERIRAL CONTAINED > |

| | | | | | |
|---|--------|-----------------------------|---------|--|-----------------|
| THIS DRAWING CONTAINS INFORMATION THAT IS PROPRIETARY TO MOLEX ELECTRONIC TECHNOLOGIES, LLC AND SHOULD NOT BE USED WITHOUT WRITTEN PERMISSION | | CURRENT REV DESC: | | molex | |
| DIMENSION UNITS | SCALE | | | | |
| mm | NTS | | | MICRO-LOCK PLUS 1.25 W/B DUAL ROW RIGHT ANGLE SMT PLUG ASSEMBLY GOLD PLATING | |
| GENERAL TOLERANCES (UNLESS SPECIFIED) | | | | PRODUCT CUSTOMER DRAWING | |
| ANGULAR TOL | ± 3.0° | | | DOCUMENT NUMBER | |
| 4 PLACES | ± 0.2 | EC NO: 720259 | | DOC TYPE | |
| 3 PLACES | ± 0.2 | DRWN: SOKUMURA01 2022/11/09 | | DOC PART | |
| 2 PLACES | ± 0.2 | CHK'D: SAKIYAMA 2022/11/28 | | REVISION | |
| 1 PLACE | ± 0.2 | APPR: AIDA 2022/11/30 | | 5054480003-SD | |
| 0 PLACES | ± 0.2 | INITIAL REVISION: | | PSD 000 C | |
| DRAFT WHERE APPLICABLE MUST REMAIN WITHIN DIMENSIONS | | THIRD ANGLE PROJECTION | DRAWING | SERIES | MATERIAL NUMBER |
| | | | A3-SIZE | 505448 | CUSTOMER |
| | | | | | SEE SHEET 4 |
| | | | | | GENERAL |
| | | | | | SHEET NUMBER |
| | | | | | 3 OF 4 |

△ 505448**9* 発注番号一覧 ORDER NUMBER LIST


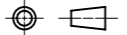
| GREEN | BLUE | RED | BLACK | NATURAL (BEIGE) | HOUSING COLOR |
|--|------------|------------|------------|-----------------|--------------------|
| 5054484296 | 5054484294 | 5054484292 | 5054484291 | 5054484290 | 42 |
| 5054484096 | 5054484094 | 5054484092 | 5054484091 | 5054484090 | 40 |
| 5054483896 | 5054483894 | 5054483892 | 5054483891 | 5054483890 | 38 |
| 5054483696 | 5054483694 | 5054483692 | 5054483691 | 5054483690 | 36 |
| 5054483496 | 5054483494 | 5054483492 | 5054483491 | 5054483490 | 34 |
| 5054483296 | 5054483294 | 5054483292 | 5054483291 | 5054483290 | 32 |
| 5054483096 | 5054483094 | 5054483092 | 5054483091 | 5054483090 | 30 |
| 5054482896 | 5054482894 | 5054482892 | 5054482891 | 5054482890 | 28 |
| 5054482696 | 5054482694 | 5054482692 | 5054482691 | 5054482690 | 26 |
| 5054482496 | 5054482494 | 5054482492 | 5054482491 | 5054482490 | 24 |
| 5054482296 | 5054482294 | 5054482292 | 5054482291 | 5054482290 | 22 |
| 5054482096 | 5054482094 | 5054482092 | 5054482091 | 5054482090 | 20 |
| 5054481896 | 5054481894 | 5054481892 | 5054481891 | 5054481890 | 18 |
| 5054481696 | 5054481694 | 5054481692 | 5054481691 | 5054481690 | 16 |
| 5054481496 | 5054481494 | 5054481492 | 5054481491 | 5054481490 | 14 |
| 5054481296 | 5054481294 | 5054481292 | 5054481291 | 5054481290 | 12 |
| 5054481096 | 5054481094 | 5054481092 | 5054481091 | 5054481090 | 10 |
| 5054480896 | 5054480894 | 5054480892 | 5054480891 | 5054480890 | 8 |
| 発注番号 ORDER NUMBER | | | | | 極数 CIRCUIT SIZE |
| 梱包形態 : エンボステープ梱包 PACKAGING STYLE : EMBOSSED TAPE AND REEL | | | | | |

△ 505448**5* 発注番号一覧 ORDER NUMBER LIST

| GREEN | BLUE | RED | BLACK | NATURAL (BEIGE) | HOUSING COLOR |
|--|------------|------------|------------|-----------------|--------------------|
| 5054484256 | 5054484254 | 5054484252 | 5054484251 | 5054484250 | 42 |
| 5054484056 | 5054484054 | 5054484052 | 5054484051 | 5054484050 | 40 |
| 5054483856 | 5054483854 | 5054483852 | 5054483851 | 5054483850 | 38 |
| 5054483656 | 5054483654 | 5054483652 | 5054483651 | 5054483650 | 36 |
| 5054483456 | 5054483454 | 5054483452 | 5054483451 | 5054483450 | 34 |
| 5054483256 | 5054483254 | 5054483252 | 5054483251 | 5054483250 | 32 |
| 5054483056 | 5054483054 | 5054483052 | 5054483051 | 5054483050 | 30 |
| 5054482856 | 5054482854 | 5054482852 | 5054482851 | 5054482850 | 28 |
| 5054482656 | 5054482654 | 5054482652 | 5054482651 | 5054482650 | 26 |
| 5054482456 | 5054482454 | 5054482452 | 5054482451 | 5054482450 | 24 |
| 5054482256 | 5054482254 | 5054482252 | 5054482251 | 5054482250 | 22 |
| 5054482056 | 5054482054 | 5054482052 | 5054482051 | 5054482050 | 20 |
| 5054481856 | 5054481854 | 5054481852 | 5054481851 | 5054481850 | 18 |
| 5054481656 | 5054481654 | 5054481652 | 5054481651 | 5054481650 | 16 |
| 5054481456 | 5054481454 | 5054481452 | 5054481451 | 5054481450 | 14 |
| 5054481256 | 5054481254 | 5054481252 | 5054481251 | 5054481250 | 12 |
| 5054481056 | 5054481054 | 5054481052 | 5054481051 | 5054481050 | 10 |
| 5054480856 | 5054480854 | 5054480852 | 5054480851 | 5054480850 | 8 |
| 発注番号 ORDER NUMBER | | | | | 極数 CIRCUIT SIZE |
| 梱包形態 : エンボステープ梱包 PACKAGING STYLE : EMBOSSED TAPE AND REEL | | | | | |

△ 505448**3* 発注番号一覧 ORDER NUMBER LIST

| GREEN | BLUE | RED | BLACK | NATURAL (BEIGE) | HOUSING COLOR |
|--|------------|------------|------------|-----------------|--------------------|
| 5054484236 | 5054484234 | 5054484232 | 5054484231 | 5054484230 | 42 |
| 5054484036 | 5054484034 | 5054484032 | 5054484031 | 5054484030 | 40 |
| 5054483836 | 5054483834 | 5054483832 | 5054483831 | 5054483830 | 38 |
| 5054483636 | 5054483634 | 5054483632 | 5054483631 | 5054483630 | 36 |
| 5054483436 | 5054483434 | 5054483432 | 5054483431 | 5054483430 | 34 |
| 5054483236 | 5054483234 | 5054483232 | 5054483231 | 5054483230 | 32 |
| 5054483036 | 5054483034 | 5054483032 | 5054483031 | 5054483030 | 30 |
| 5054482836 | 5054482834 | 5054482832 | 5054482831 | 5054482830 | 28 |
| 5054482636 | 5054482634 | 5054482632 | 5054482631 | 5054482630 | 26 |
| 5054482436 | 5054482434 | 5054482432 | 5054482431 | 5054482430 | 24 |
| 5054482236 | 5054482234 | 5054482232 | 5054482231 | 5054482230 | 22 |
| 5054482036 | 5054482034 | 5054482032 | 5054482031 | 5054482030 | 20 |
| 5054481836 | 5054481834 | 5054481832 | 5054481831 | 5054481830 | 18 |
| 5054481636 | 5054481634 | 5054481632 | 5054481631 | 5054481630 | 16 |
| 5054481436 | 5054481434 | 5054481432 | 5054481431 | 5054481430 | 14 |
| 5054481236 | 5054481234 | 5054481232 | 5054481231 | 5054481230 | 12 |
| 5054481036 | 5054481034 | 5054481032 | 5054481031 | 5054481030 | 10 |
| 5054480836 | 5054480834 | 5054480832 | 5054480831 | 5054480830 | 8 |
| 発注番号 ORDER NUMBER | | | | | 極数 CIRCUIT SIZE |
| 梱包形態 : エンボステープ梱包 PACKAGING STYLE : EMBOSSED TAPE AND REEL | | | | | |

| | | | | | | | | | | | | | |
|---|--|------------------------|--|--|--|------------------|--|---|--|---|--|---|--|
| THIS DRAWING CONTAINS INFORMATION THAT IS PROPRIETARY TO MOLEX ELECTRONIC TECHNOLOGIES, LLC AND SHOULD NOT BE USED WITHOUT WRITTEN PERMISSION | | | | | | | | | | | | | |
| DIMENSION UNITS | | SCALE | | CURRENT REV DESC: | | | |  | | | | | |
| mm | | NTS | | | | | | | | | | | |
| GENERAL TOLERANCES (UNLESS SPECIFIED) | | | | EC NO: 720259 DRWN: SOKUMURA01 2022/11/09 CHK'D: SAKIYAMA 2022/11/28 APPR: AIDA 2022/11/30 | | | | MICRO-LOCK PLUS 1.25 W/B DUAL ROW RIGHT ANGLE SMT PLUG ASSEMBLY GOLD PLATING | | | | | |
| ANGULAR TOL ± 3.0 ° | | | | | | | | | | | | | |
| 4 PLACES ± 0.2 | | 3 PLACES ± 0.2 | | | | | | PRODUCT CUSTOMER DRAWING | | DOCUMENT NUMBER 5054480003-SD | | DOC TYPE DOC PART REVISION PSD 000 C | |
| 2 PLACES ± 0.2 | | 1 PLACE ± 0.2 | | | | | | | | | | | |
| 0 PLACES ± 0.2 | | INITIAL REVISION: | | | | | | DRWN: TAKAIKE 2019/08/21 APPR: AIDA 2019/12/26 | | MATERIAL NUMBER SEE CHART | | CUSTOMER GENERAL | |
| DRAFT WHERE APPLICABLE MUST REMAIN WITHIN DIMENSIONS | | THIRD ANGLE PROJECTION | | DRAWING  A3-SIZE | | SERIES 505448 | | | | | | | |