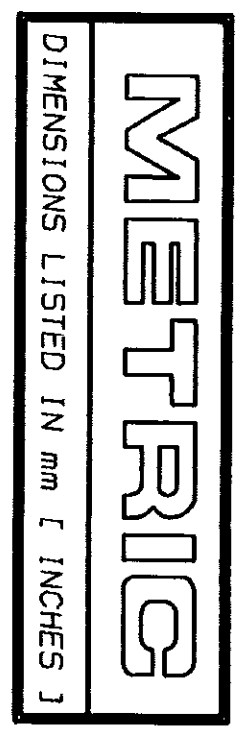
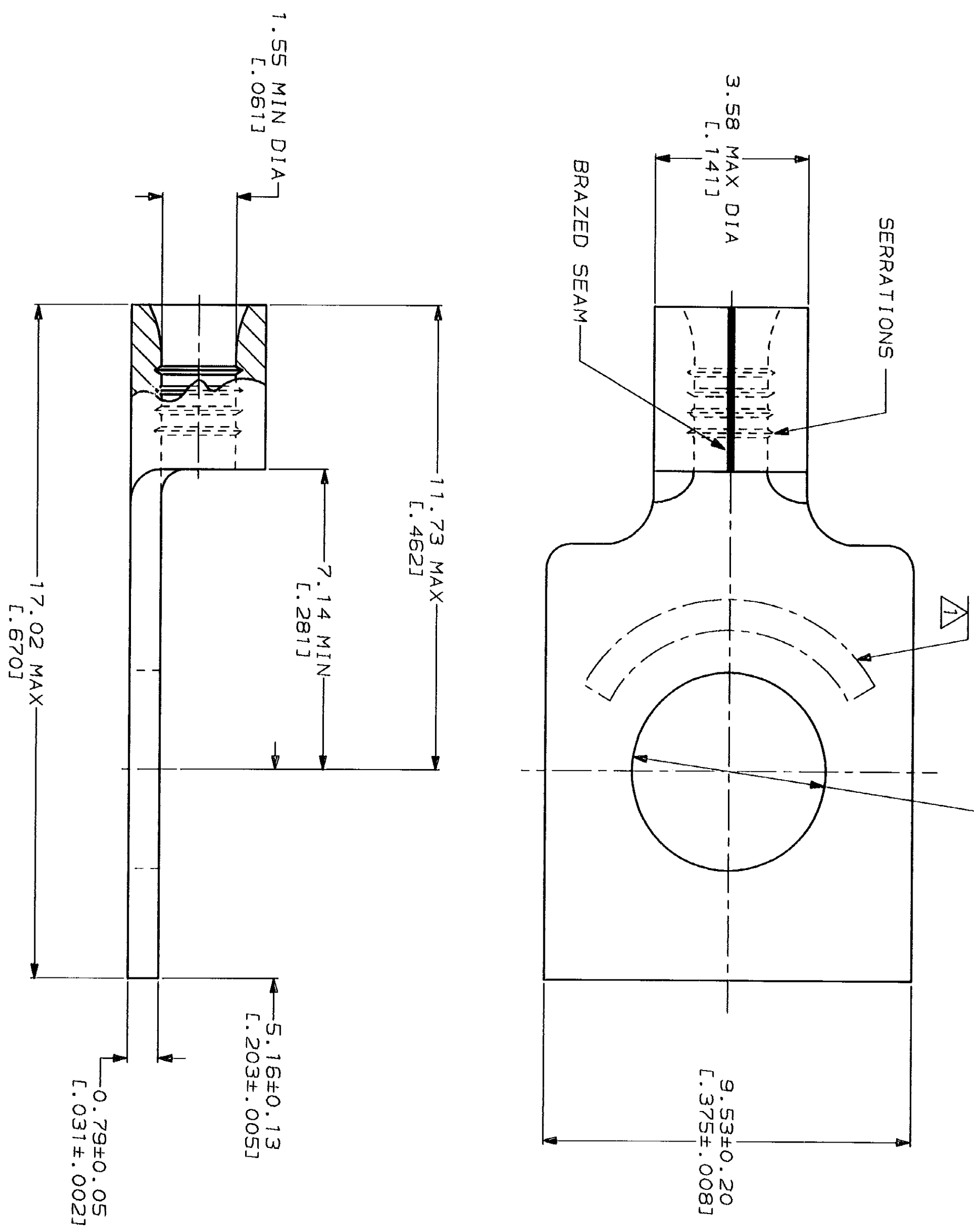


LOC	DIST	P	F	ZONE	LTR	DESCRIPTION	DATE	APP
G	14				F	REVISED & REDRAWN PER 0720-0040-93 REACTIVATE 323106 PER 0720-6018-92	3-26-93	YB DAP



<b>AMP</b> WIRE RANGE	<b>UL</b> E13288 Listed
22-16 AWG SOLID OR STRANDED	22-16 AWG SOLID OR STRANDED
<b>LR7189</b> Certified	MILITARY P/N AND CLASS
22-16 AWG SOLID OR STRANDED	NOT APPLICABLE

STAMP AMP 22-18\* APPROX AS SHOWN  
22-16 TERMINALS ARE STAMPED 22-18 IN  
ACCORDANCE WITH MILITARY SPECIFICATION  
MIL-T-7928, COMMERCIAL WIRE RANGE IS 22-16



**AMP INCORPORATED**  
**CUSTOMER SERVICE SYSTEMS**

FOR ADDITIONAL PRODUCT INFORMATION OR COPIES OF DRAWINGS AND TECHNICAL DOCUMENTS	PRODUCT INFORMATION CENTER 1-800-522-6752
FOR APPLICATION TOOLING INFORMATION	TOOLING ASSISTANCE CENTER 1-800-722-1111
FOR ORDER ENTRY	1-800-526-5142

MAX RECOMMENDED OPERATING TEMPERATURE: 170°C MAX  
VOLTAGE RATING: NOT APPLICABLE  
WIRE CROSS SECTIONAL AREA RANGE: 0.26-1.65mm<sup>2</sup> [509-3,260] CIR MILS  
SOLID OR STRANDED

DO NOT SCALE PRINT. UNLESS SPECIFIED DIMENSIONS IN mm [INCHES] TOLERANCES IN :  
2 PLC DEC ±  
3 PLC DEC ±  
ANGLES  
MATERIAL  
COPPER PER ASTM B-152 ANNEALED  
FINISH  
TIN PLATE  
0.00254 [0.00100] MIN THK PER MIL-T-10727

DR 3-26-93 TA BRINKMAN	NAME	AMP Incorporated Harrisburg, PA 17105-3608
CHK 3-26-93 DA PATTERSON	QUANTITY	5000
APPD 3-26-93 DE MILLER	PACKAGE TYPE	ON TAPE
APPD 3-26-93 JL MECKLEY	PART NO	2-323106-1
PRODUCT SPEC		L00SE PIECE
APPLICATION SPEC		323106
WEIGHT		

TERMINAL, RECTANGULAR  
TONGUE, SOLISTRAND™

SIZE	CAGE CODE	DRAWING NO
SCALE 10:1	00779	323106
		SHEET 1 OF 1