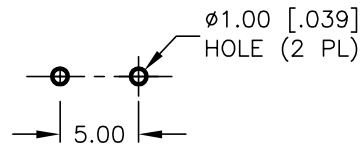
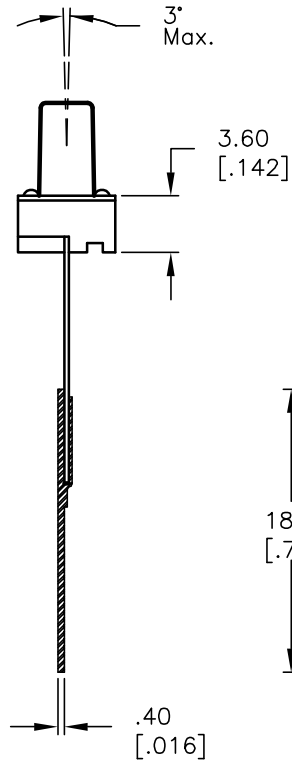
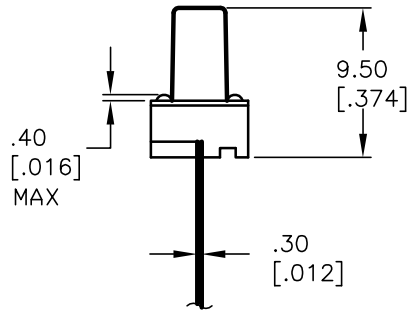
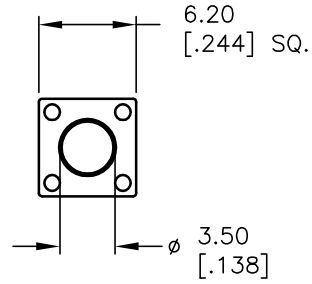
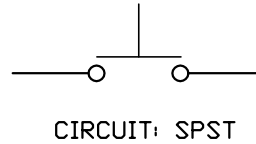
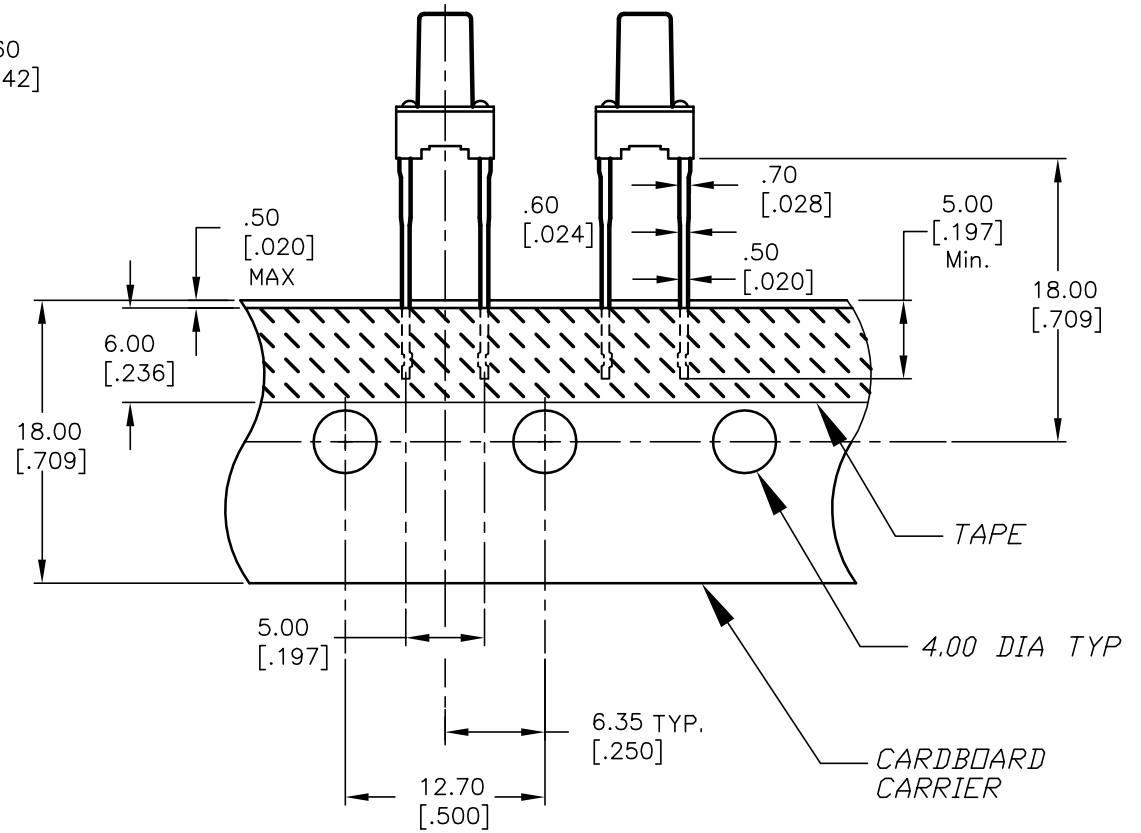


NOTES:

1. ALL DIMENSIONS IN MM [INCH]
2. GENERAL TOLERANCE: X.X=±0.4
X.XX=±0.25
3. CONTACT RATING: 50mA @12V DC
4. CONTACT MATERIAL: SILVER
5. OPERATING FORCE: 260±50gf
6. TRAVEL: 0.25 +0.2/-0.1
7. CONTACT RESISTANCE: 100mILLI Ohms max.
8. ELECTRICAL LIFE: 100,000 CYCLES
9. PACKAGING:
CARRIER IS FOLDED EVERY 25 PITCHES
(24) SWITCHES PER FOLD
(1,000) SWITCHES PER BOX



RECOMMENDED P.C.B. LAYOUT



E-SWITCH®

A	11623	RELEASED FOR PRODUCTION	8/21/01	CB
REV.	ECN No.	DESCRIPTION	DATE	CHKD
<p>THE INFORMATION CONTAINED IN THIS DOCUMENT IS PROPRIETARY TO E-SWITCH AND IS NOT TO BE COPIED OR TRANSFERRED</p>				

TITLE				
TL59B F260 Q				
SCALE	DATE	DR	DWG	REV
2:1	8/21/01	CB	D310568	A