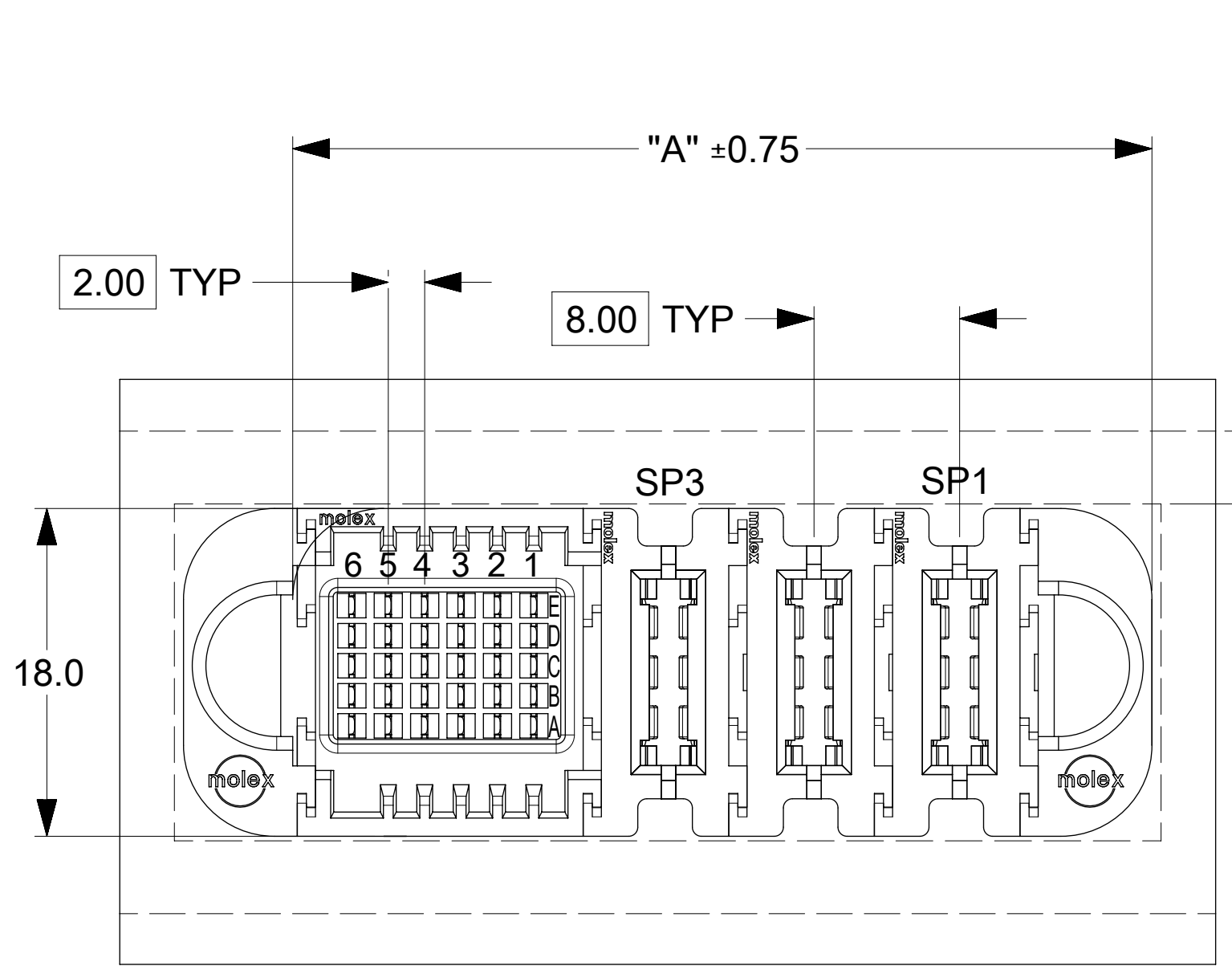
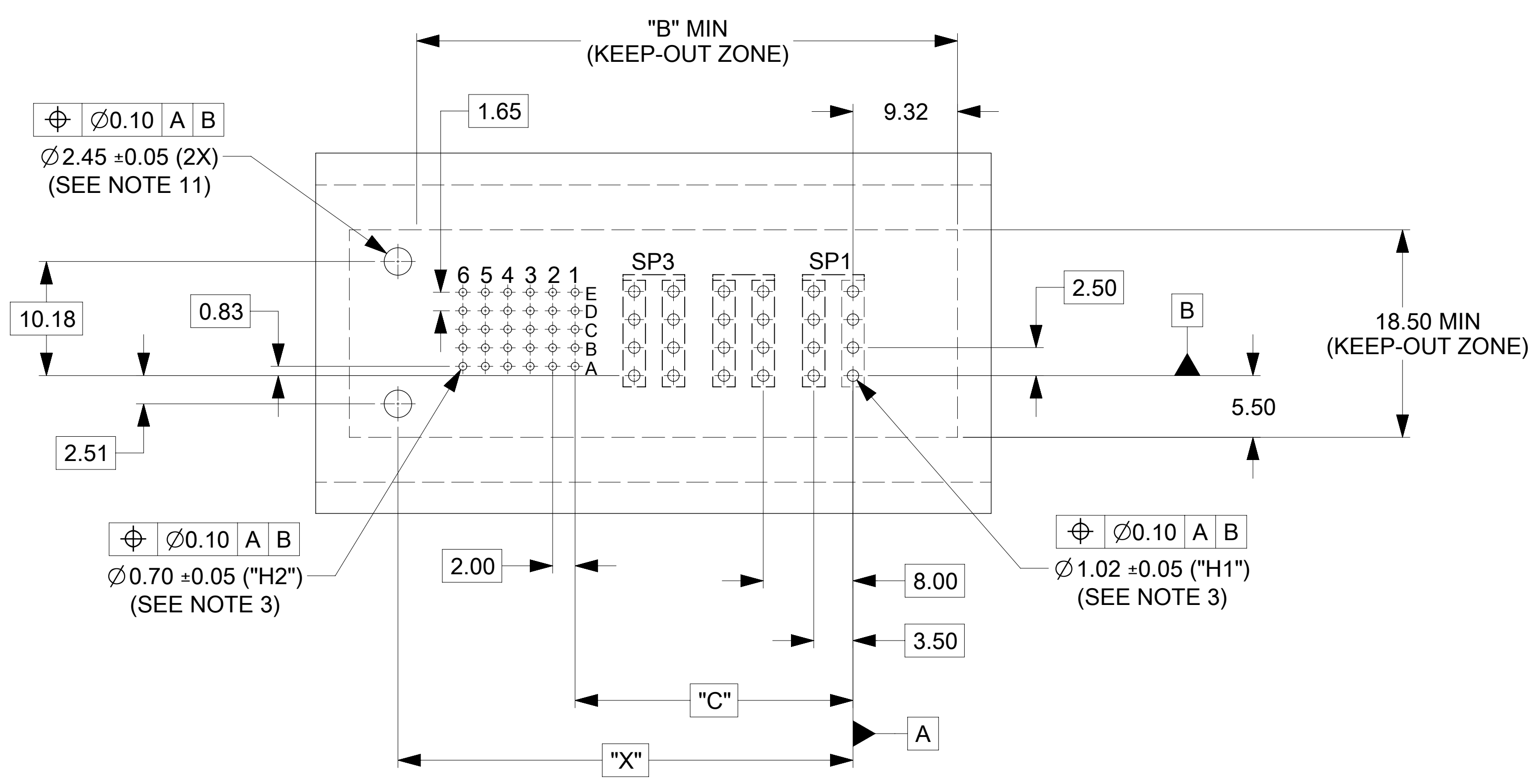
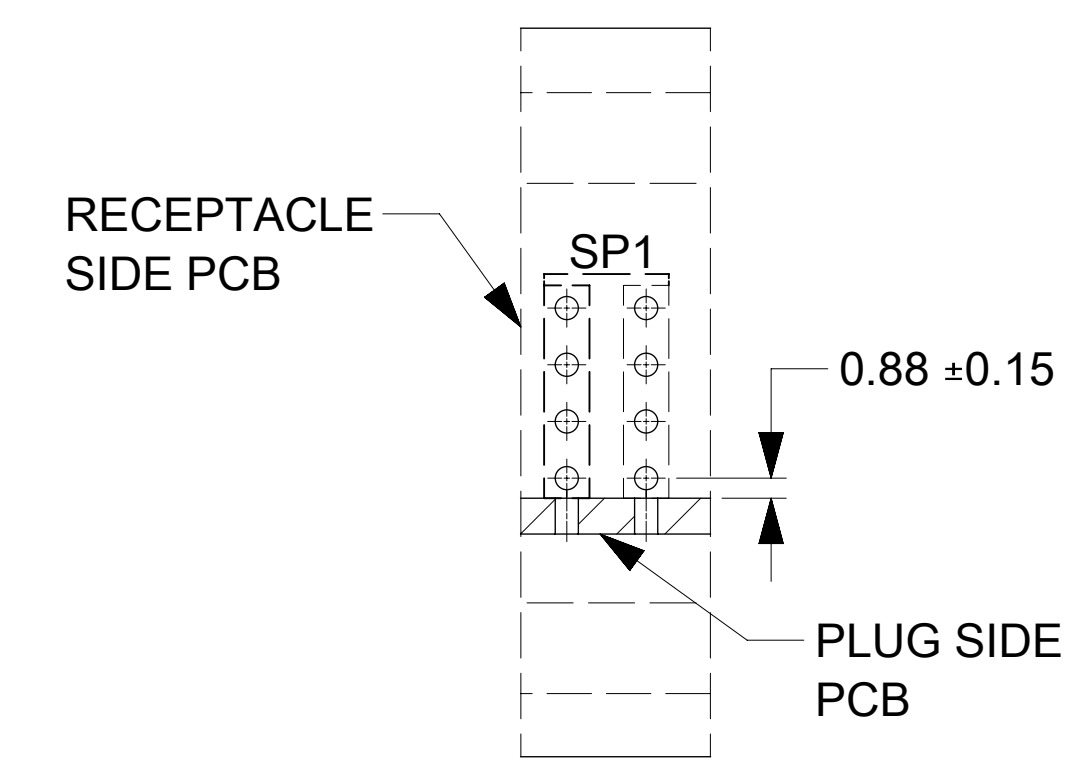
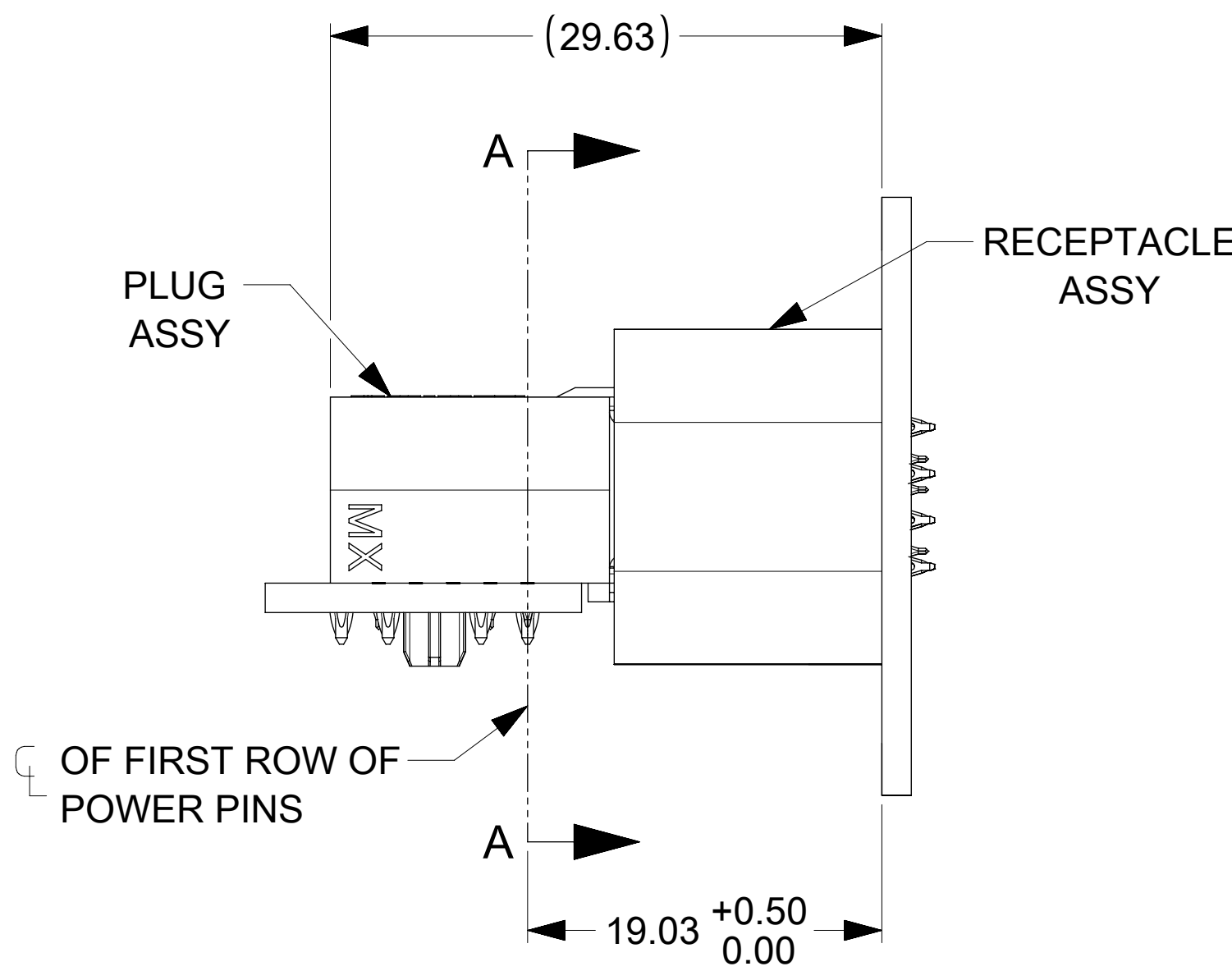


P/N: 171089-8418 (G-3SP-30S-G)



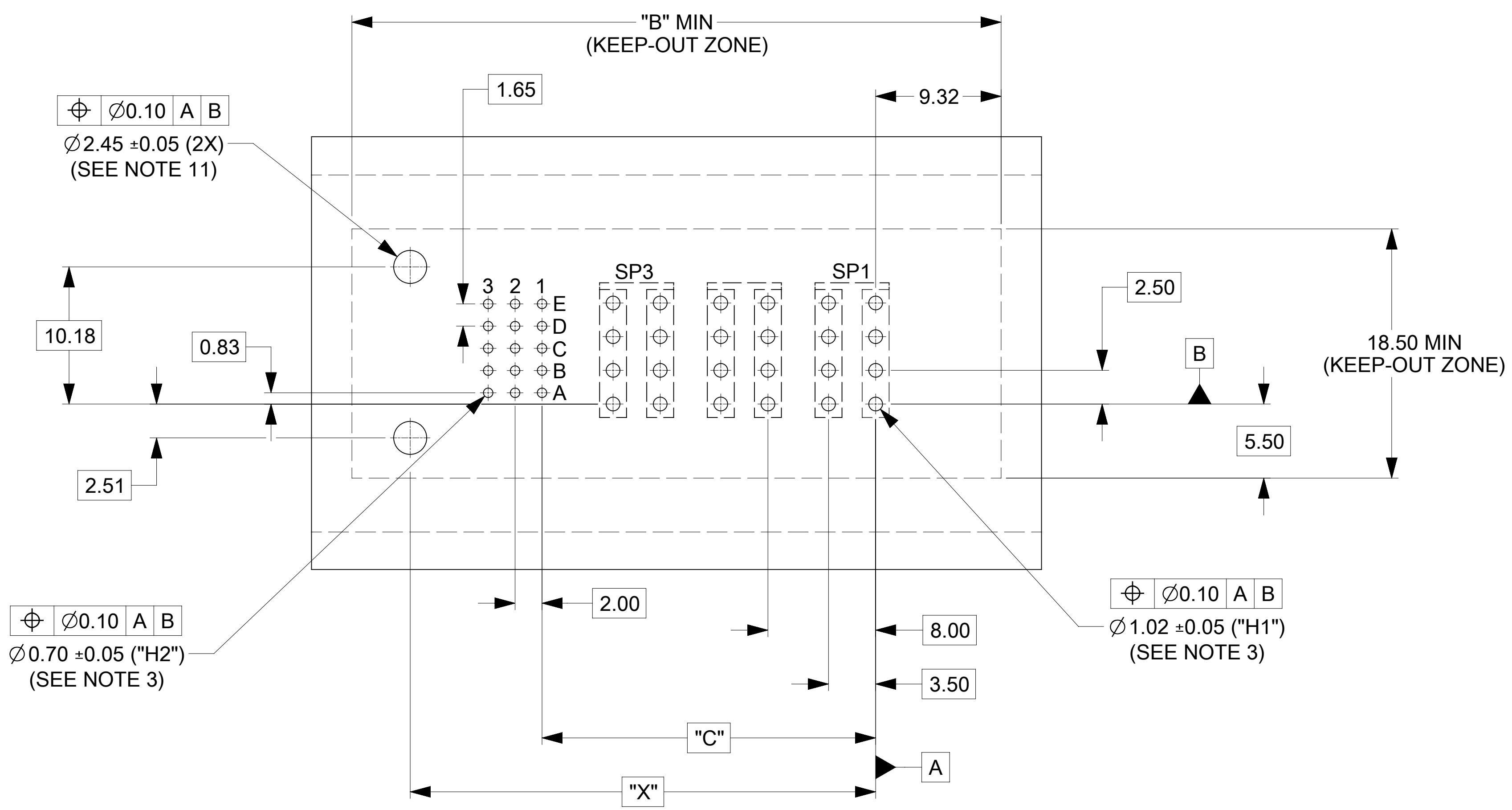
ALLOW EXTRA SPACE
4.00 MM PER SIDE
(REQUIRED FOR RE-WORK PER AS-46436-100)



RECOMMENDED PCB LAYOUT AND KEEP-OUT ZONE FOR G-(1SP TO 3SP)-30S-G

- NOTES:
- MATERIAL:
 - HOUSINGS: LCP UL94, V-0, COLOR: BLACK
 - TERMINALS: HIGH CONDUCTIVITY COPPER ALLOY
 - PLATING: 1.27 MICROMETER (50 MICROINCH) NICKEL OVERALL WITH 2.54 MICROMETER (100 MICROINCH) SELECTIVE TIN ON TAILS AND 0.762 MICROMETER (30 MICROINCH) SELECTIVE GOLD ON CONTACT AREA
 - PACKAGING: ASSEMBLIES TO BE TRAY PACKED PER PACKAGING SPEC: 1710891001-PK
 - PLATED THRU HOLE SIZE, REFER TO PS-171088-0000 FOR DETAILS
 - PRODUCT SPEC: PS-171088-0000
 - APPLICATION SPEC: AS-46436-100
 - PRODUCT TO MEET RoHS REQUIREMENTS
 - ASSEMBLY MATES TO MOLEX PLUG ASSEMBLY P/N 171088-**** (SEE TABLE IN SHEET 2).
 - TAIL DESIGN: COMPLIANT PINS
 - POWER AND SIGNAL CONTACTS ARE LUBRICATED.
 - MOLEX LOGO TO BE LOCATED APPROXIMATELY AS SHOWN.
 - FOR USE WITH 2-32 TYPE AB SELF THREADING SCREWS, SCREW LENGTH OF 9.50MM IS RECOMMENDED FOR 1.58MM THICK PCB MAX TORQUE IS 4 LBS-IN.

THIS DRAWING CONTAINS INFORMATION THAT IS PROPRIETARY TO MOLEX ELECTRONIC TECHNOLOGIES, LLC AND SHOULD NOT BE USED WITHOUT WRITTEN PERMISSION									
DIMENSION UNITS	SCALE	CURRENT REV DESC: REMOVED P/N 8414, 8415, 8419 & 8420							
mm	3:1	<p>G-*SP-*S-G VERT RECEP ASSY - TEN60 SPLIT POWER</p> <p>PRODUCT CUSTOMER DRAWING</p>							
GENERAL TOLERANCES (UNLESS SPECIFIED)									
ANGULAR TOL	± 0.5°								
4 PLACES	±								
3 PLACES	±								
2 PLACES	± 0.13								
1 PLACE	± 0.25	EC NO: 707711	2022/05/20		DOCUMENT NUMBER: 1710898420 DOC TYPE: PSD DOC PART: 000 REVISION: A2				
0 PLACES	±	DRWN: KSUTAR	2021/09/28						
DRAFT WHERE APPLICABLE MUST REMAIN WITHIN DIMENSIONS		THIRD ANGLE PROJECTION		DRAWING	SERIES	MATERIAL NUMBER	CUSTOMER	SHEET NUMBER	
		D-SIZE		171089	SEE TABLE	GENERAL MARKET	1 OF 3		



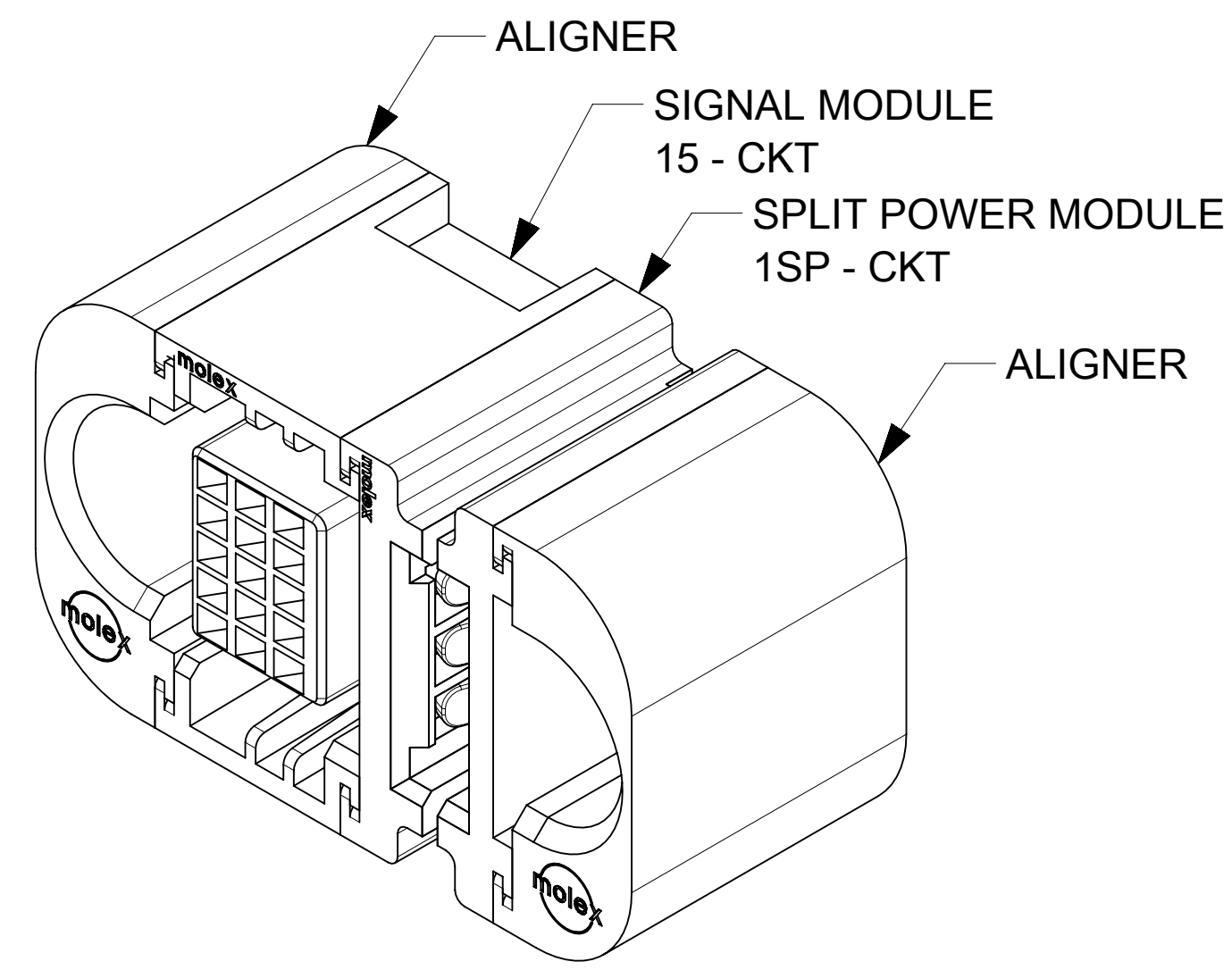
RECOMMENDED PCB LAYOUT AND KEEP-OUT ZONE FOR G-(1SP TO 3SP)-15S-G

REFER TO BELOW TABLE FOR DIMENSIONS.

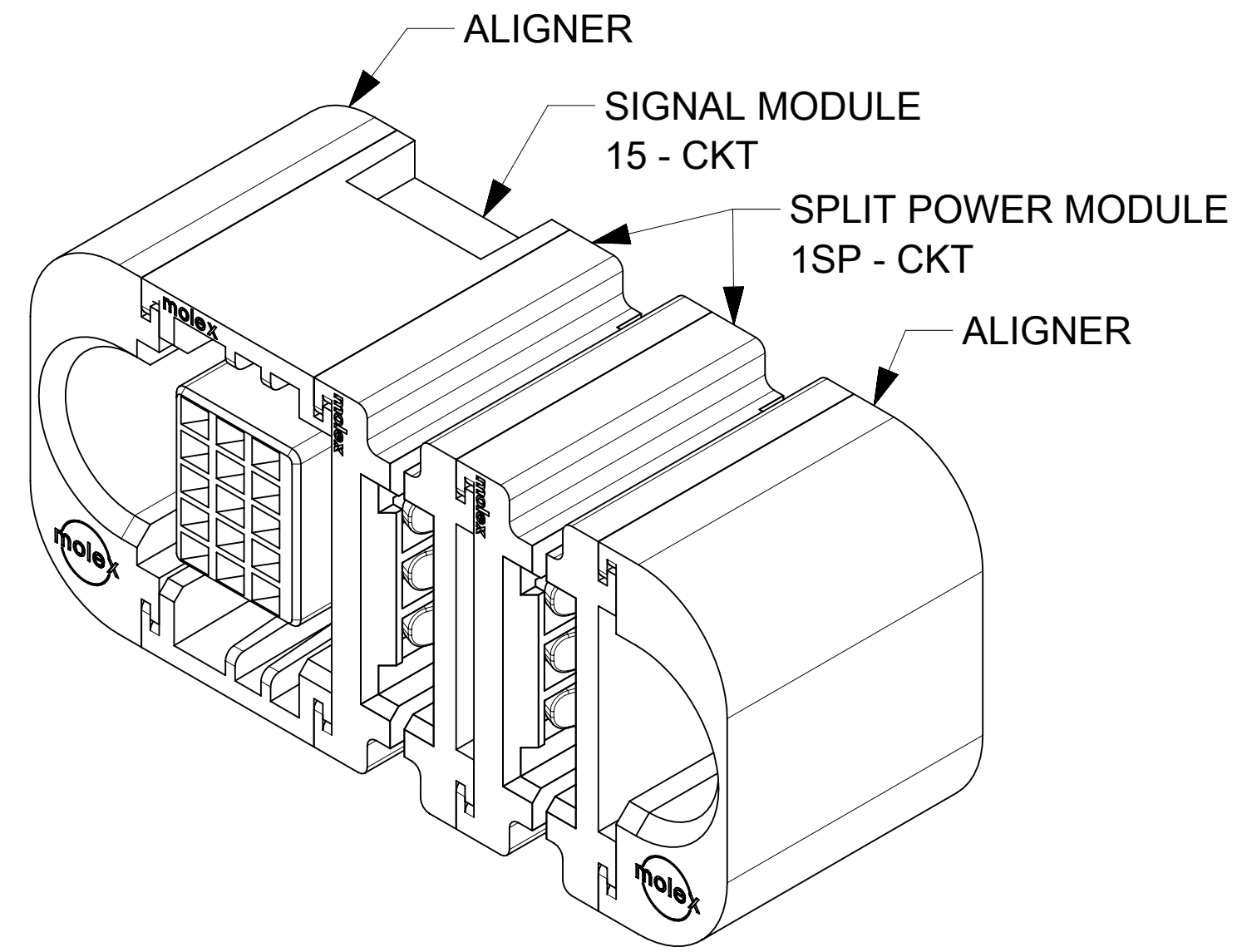
FG P/N	CONFIGURATION	POWER CKT SIZE	SIGNAL CKT SIZE	DIM "A" (IN MM)	DIM "B" (IN MM)	DIM "C" (IN MM)	DIM "X" (IN MM)	HOLES COUNT "H1"	HOLES COUNT "H2"	MATES WITH R/A PLUG ASSY P/N
1710898411	G-1SP-15S-G	1	15	31.21	32.21	8.78	18.56	08	15	1710888411
1710898412	G-2SP-15S-G	2	15	39.21	40.21	16.78	26.56	16	15	1710888412
1710898413	G-3SP-15S-G	3	15	47.21	48.21	24.78	34.56	24	15	1710888413
1710898416	G-1SP-30S-G	1	30	37.21	38.21	8.78	24.56	08	30	1710888416
1710898417	G-2SP-30S-G	2	30	45.21	46.21	16.78	32.56	16	30	1710888417
1710898418	G-3SP-30S-G	3	30	53.21	54.21	24.78	40.56	24	30	1710888418

THIS DRAWING CONTAINS INFORMATION THAT IS PROPRIETARY TO MOLEX ELECTRONIC TECHNOLOGIES, LLC AND SHOULD NOT BE USED WITHOUT WRITTEN PERMISSION

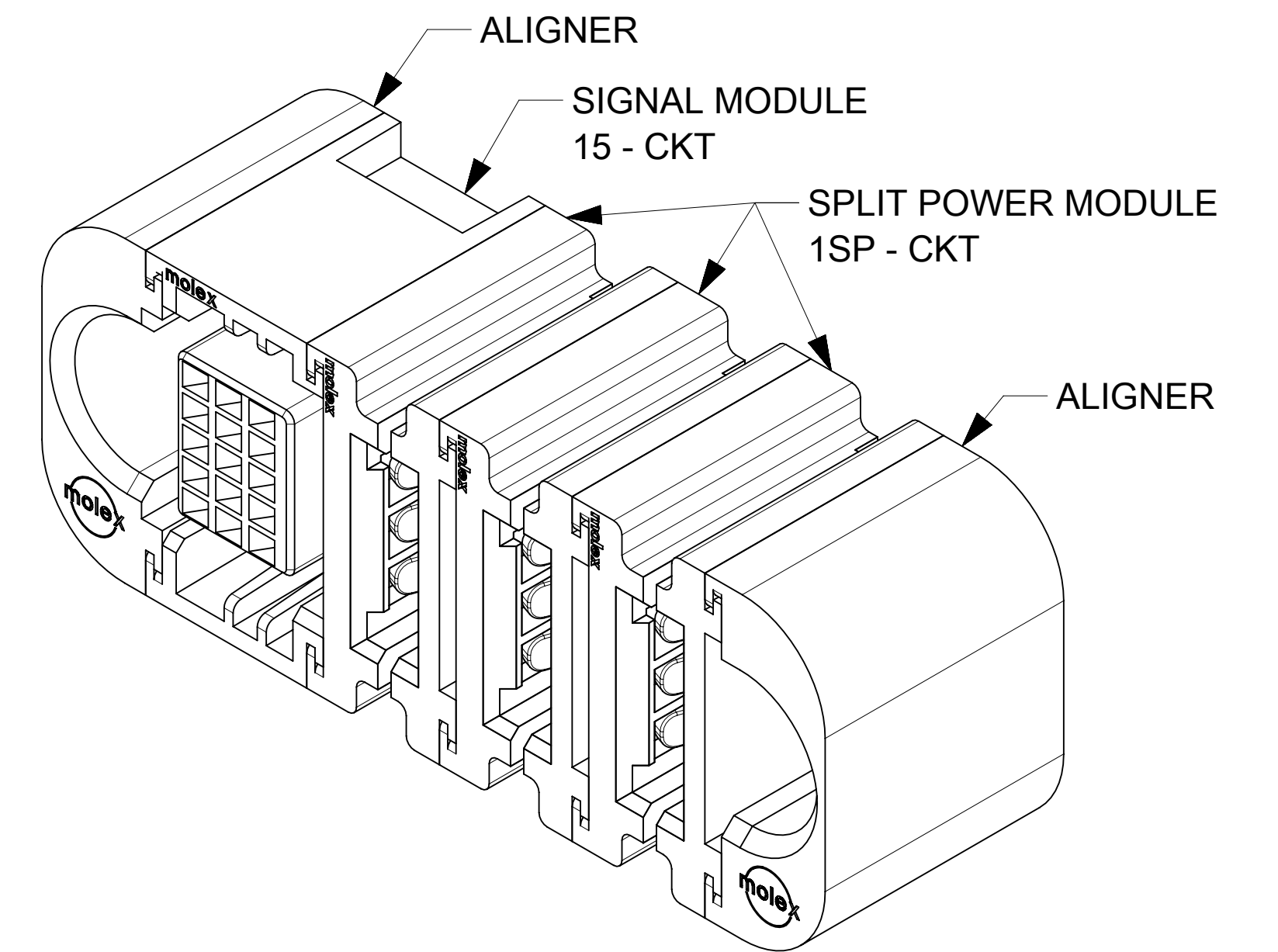
DIMENSION UNITS mm	SCALE 4:1	CURRENT REV DESC: REMOVED P/N 8414, 8415, 8419 & 8420	molex		
GENERAL TOLERANCES (UNLESS SPECIFIED)					
ANGULAR TOL ± 0.5°	4 PLACES ±	EC NO: 707711	PRODUCT CUSTOMER DRAWING		
3 PLACES ±	2 PLACES ± 0.13	DRWN: KSUTAR 2022/05/20	DOCUMENT NUMBER		
1 PLACE ± 0.25	0 PLACES ±	CHK'D: GJEEVANSURES 2022/05/23	DOC TYPE		
DRAFT WHERE APPLICABLE MUST REMAIN WITHIN DIMENSIONS		APPR: HTHYAGARAJ 2022/06/08	DOC PART		
THIRD ANGLE PROJECTION		INITIAL REVISION:	REVISION		
DRAWING		DRWN: KSUTAR 2021/09/28	1710898420		
SERIES		APPR: HTHYAGARAJ 2021/11/08	PSD 000 A2		
D-SIZE		171089	MATERIAL NUMBER		
SEE TABLE		GENERAL MARKET	CUSTOMER		
SHEET NUMBER		2 OF 3	SHEET NUMBER		



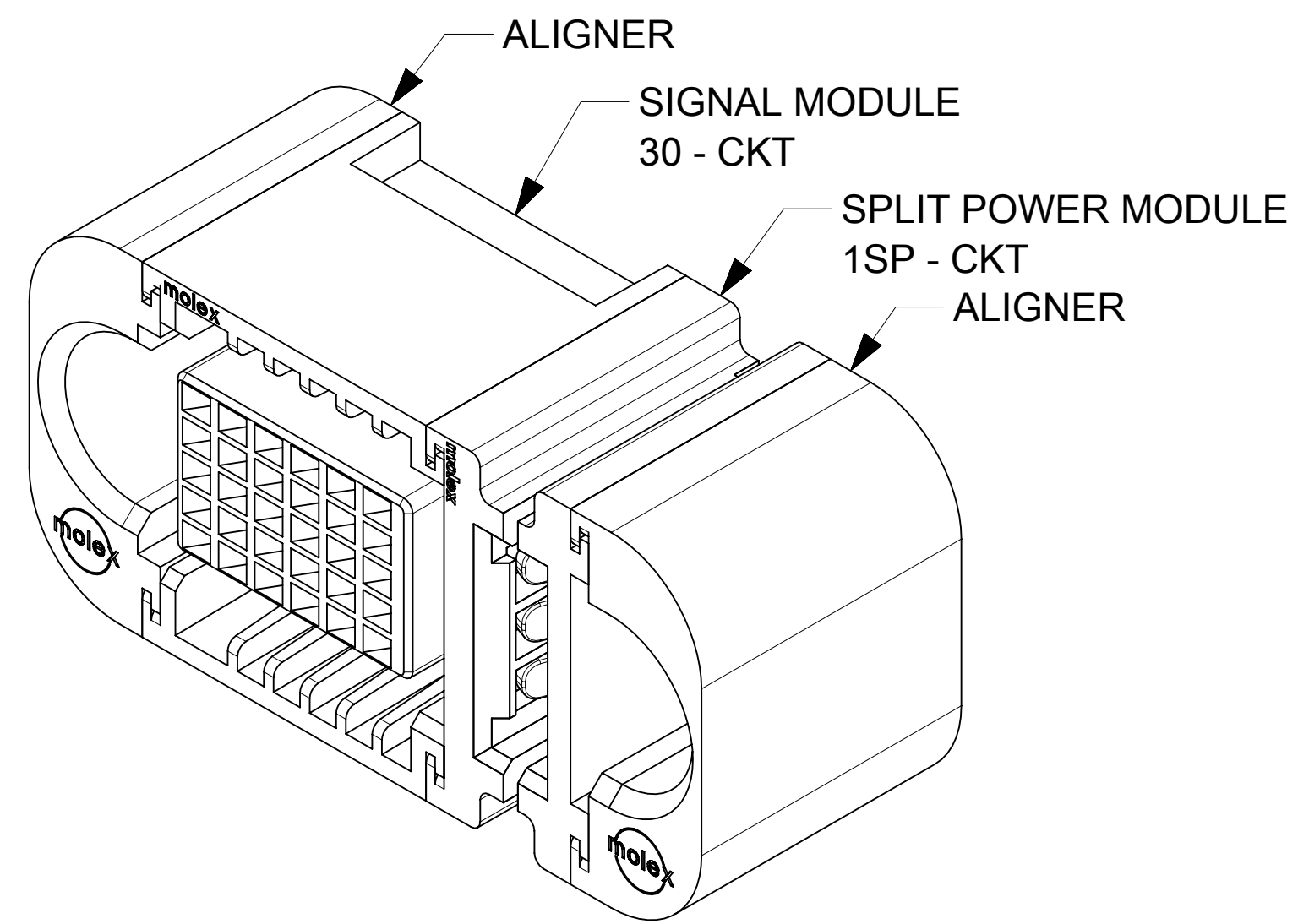
P/N: 171089-8411 (G-1SP-15S-G)



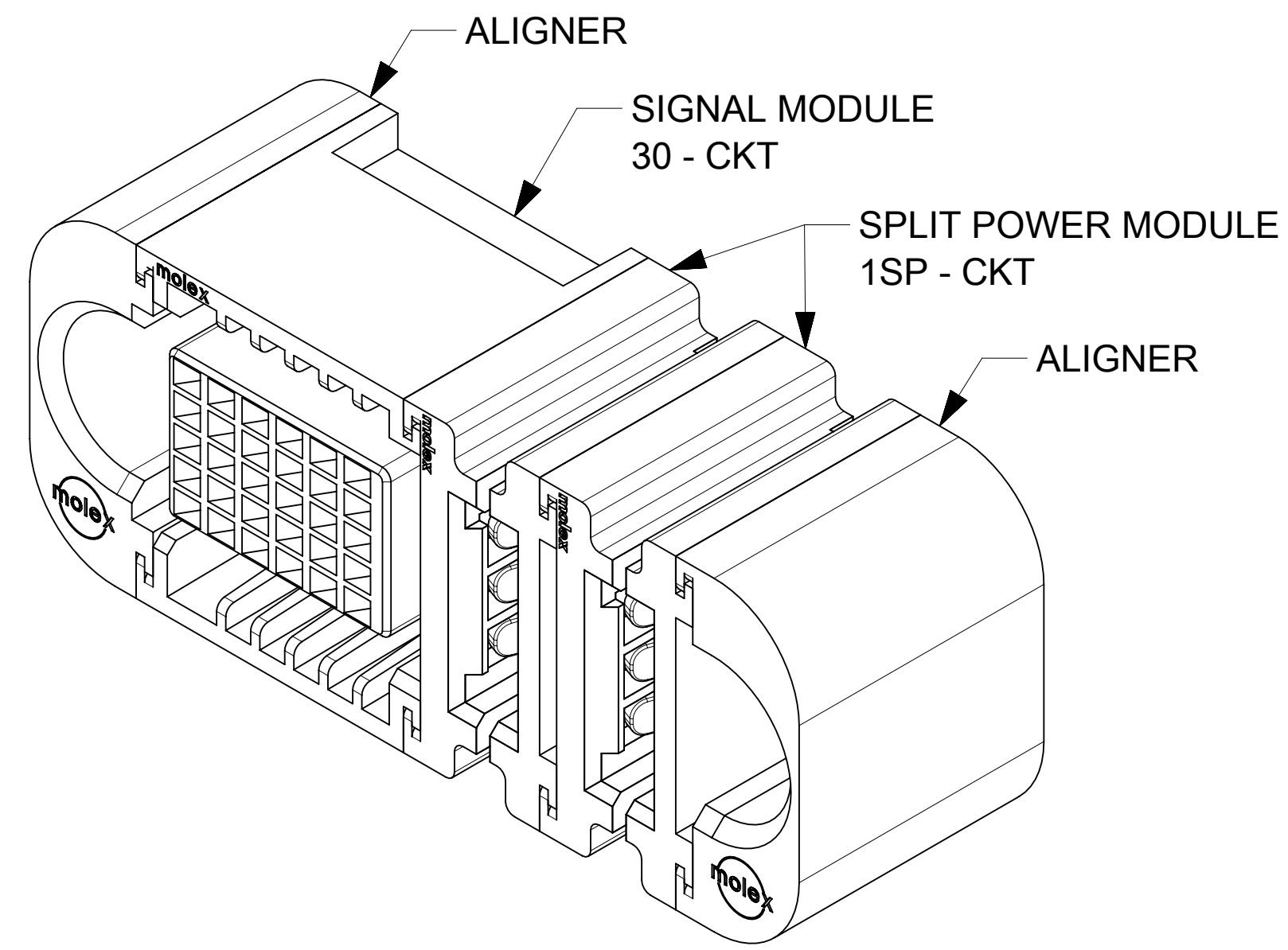
P/N: 171089-8412 (G-2SP-15S-G)






P/N: 171089-8413 (G-3SP-15S-G)



P/N: 171089-8416 (G-1SP-30S-G)



P/N: 171089-8417 (G-2SP-30S-G)

THIS DRAWING CONTAINS INFORMATION THAT IS PROPRIETARY TO MOLEX ELECTRONIC TECHNOLOGIES, LLC AND SHOULD NOT BE USED WITHOUT WRITTEN PERMISSION												
DIMENSION UNITS	SCALE	CURRENT REV DESC: REMOVED P/N 8414, 8415, 8419 & 8420										
mm	4:1	 <p>G-*SP-*S-G VERT RECEP ASSY - TEN60 SPLIT POWER</p> <p>PRODUCT CUSTOMER DRAWING</p>										
GENERAL TOLERANCES (UNLESS SPECIFIED)												
ANGULAR TOL	± 0.5°											
4 PLACES	±											
3 PLACES	±											
2 PLACES	± 0.13	EC NO: 707711	DRWN: KSUTAR		2022/05/20		DOCUMENT NUMBER		DOC TYPE	DOC PART	REVISION	
1 PLACE	± 0.25	INITIAL REVISION:		DRWN: KSUTAR		2021/09/28		1710898420		PSD	000	A2
0 PLACES	±	APPR: HTHYAGARAJ		APPR: HTHYAGARAJ		2021/11/08		MATERIAL NUMBER		CUSTOMER		SHEET NUMBER
DRAFT WHERE APPLICABLE MUST REMAIN WITHIN DIMENSIONS		THIRD ANGLE PROJECTION	DRAWING	SERIES	MATERIAL NUMBER		CUSTOMER		SHEET NUMBER			
				D-SIZE	171089	SEE TABLE	GENERAL MARKET		3 OF 3			