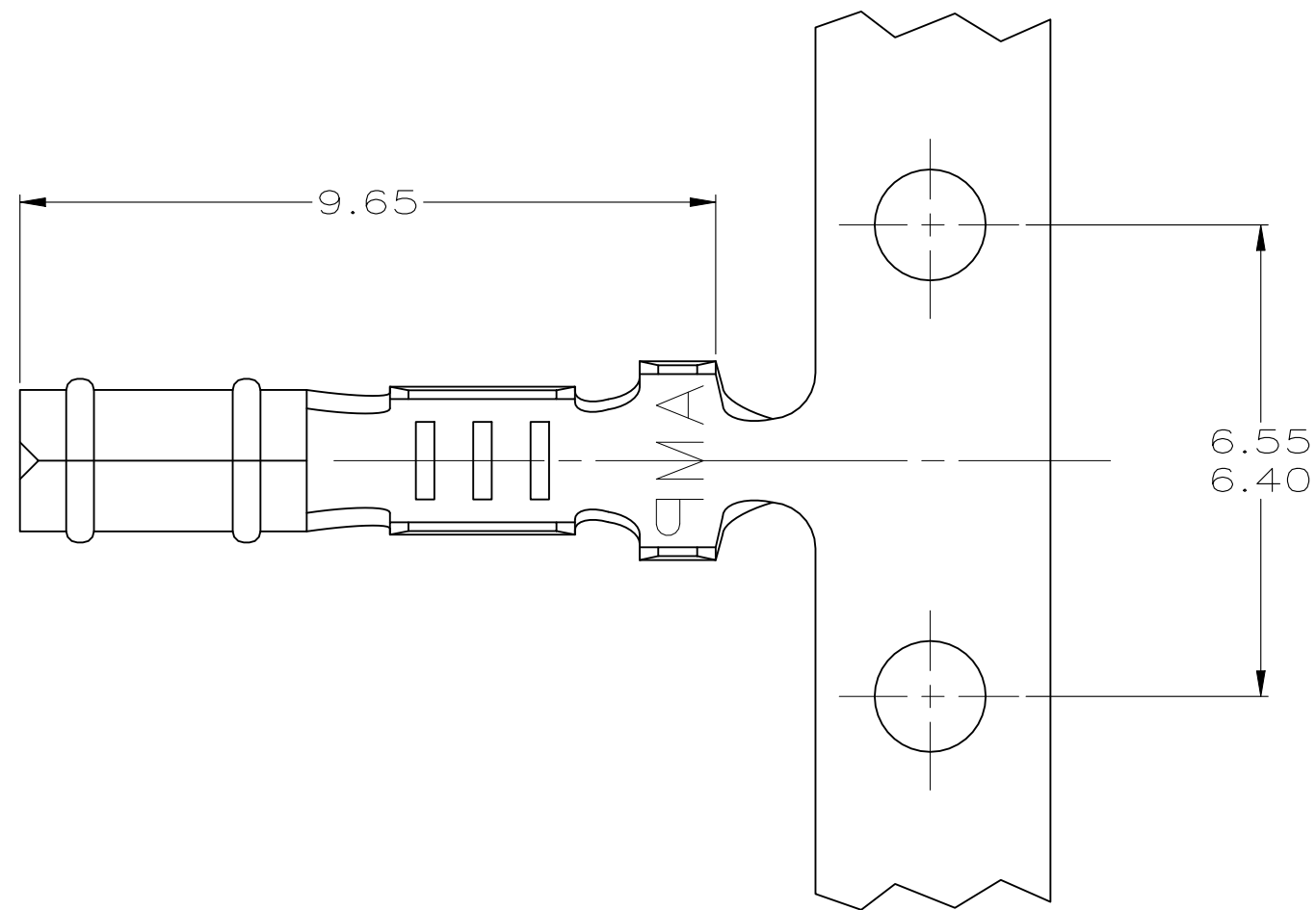


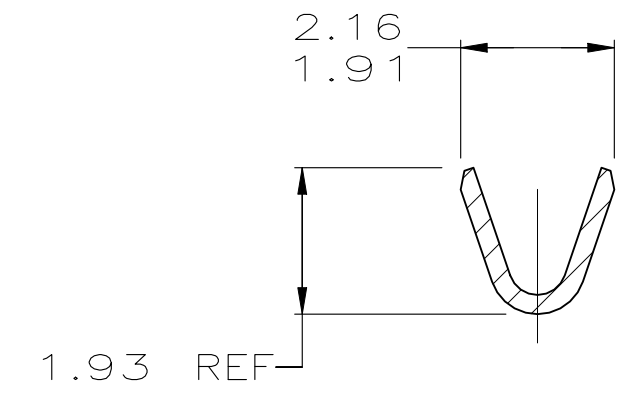
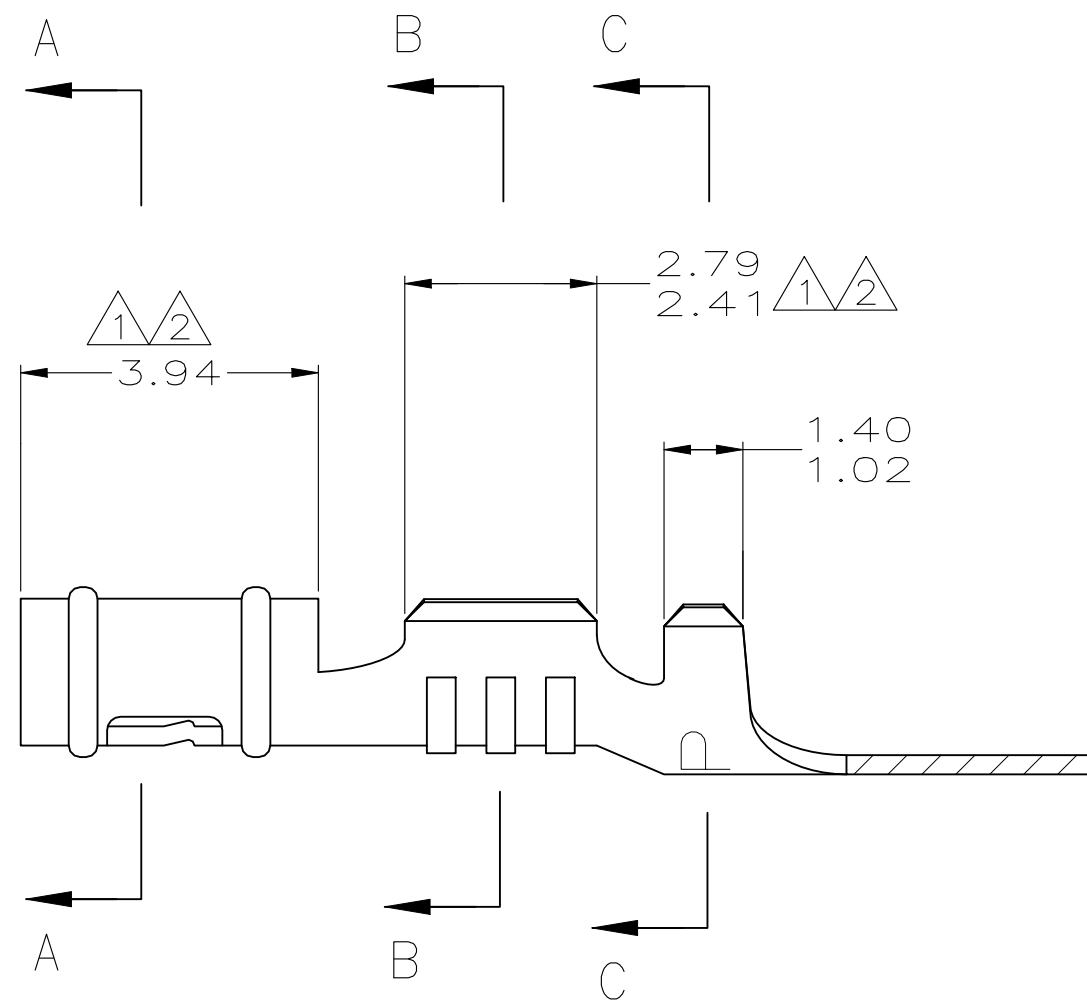
THIS DRAWING IS UNPUBLISHED. RELEASED FOR PUBLICATION
 © COPYRIGHT - By - ALL RIGHTS RESERVED.

| LOC | | DIST | | REVISIONS | | | |
|-----|-----|-------------|---------------------------|-----------|-----|------|--|
| P | LTR | DESCRIPTION | | DATE | DWN | APVD | |
| CM | 52 | AH2 | REVISED PER ECR-23-173447 | 06JUN23 | SK | JP | |

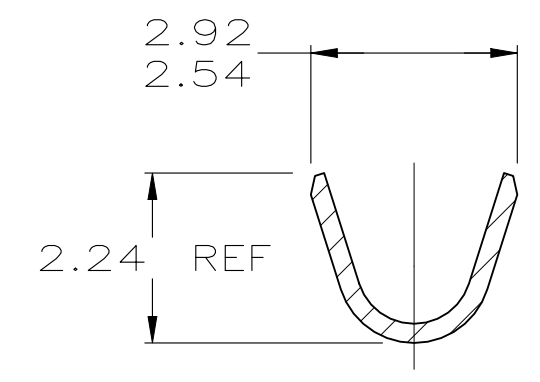
- ① 0.00038 MIN SELECTIVE GOLD PLATING ON INSIDE OF RECEPTACLE AND WIRE BARREL OVER NICKEL OVER ALL UNDERPLATE.
- ② 0.00076 MIN SELECTIVE GOLD PLATING ON INSIDE OF RECEPTACLE AND WIRE BARREL OVER NICKEL OVER ALL UNDERPLATE.
- 3. WIRE RANGE: 0.2 - 0.6 MM² (24 - 20 AWG)
- 4. INSULATION RANGE: 1.14 - 1.78
- ⑤ REVERSED REELED.



SECTION A-A



SECTION B-B

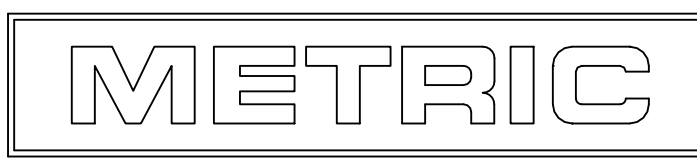


SECTION C-C

| | | | | |
|---|---|-------------|-------------|-------------|
| ⑤ | ① | 0.25 BE CU | 60598-9 | |
| ⑤ | ① | 0.25 BE CU | 60598-8 | |
| ⑤ | ② | 0.25 PH BRZ | 60598-7 | |
| ⑤ | ① | 0.25 PH BRZ | 60598-6 | |
| ⑤ | ② | 0.25 PH BRZ | 60598-5 | |
| | | MATTE TIN | 0.25 BE CU | 60598-4 |
| | | PRE-TIN | 0.25 PH BRZ | 60598-3 |
| ⑤ | | MATTE TIN | 0.25 BE CU | 60598-2 |
| ⑤ | | PRE-TIN | 0.25 PH BRZ | 60598-1 |
| | | FINISH | MATERIAL | PART NUMBER |

| MM | IN | MM | IN | MM | IN | MM | IN |
|---------|---------|-------|-------|------|------|------|------|
| 1.14 | .045 | 1.91 | .075 | 2.79 | .110 | - | - |
| 1.02 | .040 | 1.78 | .070 | 2.54 | .100 | 9.65 | .380 |
| 0.25 | .010 | 1.486 | .0585 | 2.41 | .095 | 6.55 | .258 |
| 0.13 | .005 | 1.47 | .058 | 2.24 | .088 | 6.40 | .252 |
| 0.00076 | .000030 | 1.40 | .055 | 2.16 | .085 | 3.94 | .155 |
| 0.00038 | .000015 | 1.359 | .0535 | 1.93 | .076 | 2.92 | .115 |
| MM | IN | MM | IN | MM | IN | MM | IN |

CONVERSION TABLE



THIS DRAWING IS A CONTROLLED DOCUMENT.

| | | | | | | |
|------------------|------------|---------|--|-----------|------------|---------------|
| DWN | T. BECK | 5-08-97 | STE TE Connectivity | | | |
| CHK | R. SWING | 5-08-97 | | | | |
| APVD | A. BEDDICK | 8-22-97 | RECEPTACLE, .058 DIAMETER, 24-20 AWG, .045-.070 INSULATION, P.C. CONTACT | | | |
| PRODUCT SPEC | 108-1025 | | | | | |
| APPLICATION SPEC | 114-1008 | | SIZE | CAGE CODE | DRAWING NO | RESTRICTED TO |
| WEIGHT | - | | A2 | 00779 | C-60598 | - |
| CUSTOMER DRAWING | | | SCALE | 10:1 | SHEET | 1 of 1 |
| | | | REV | AH2 | | |