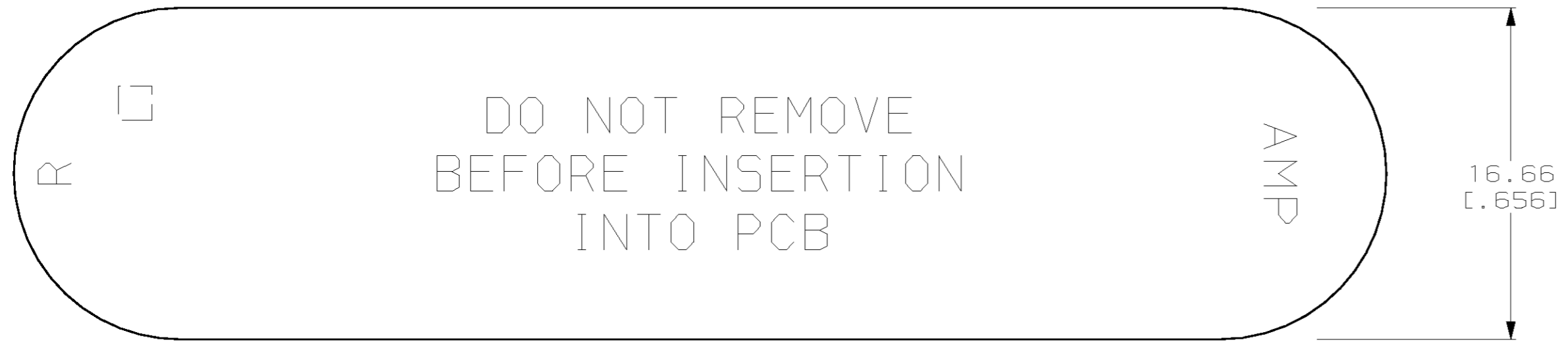


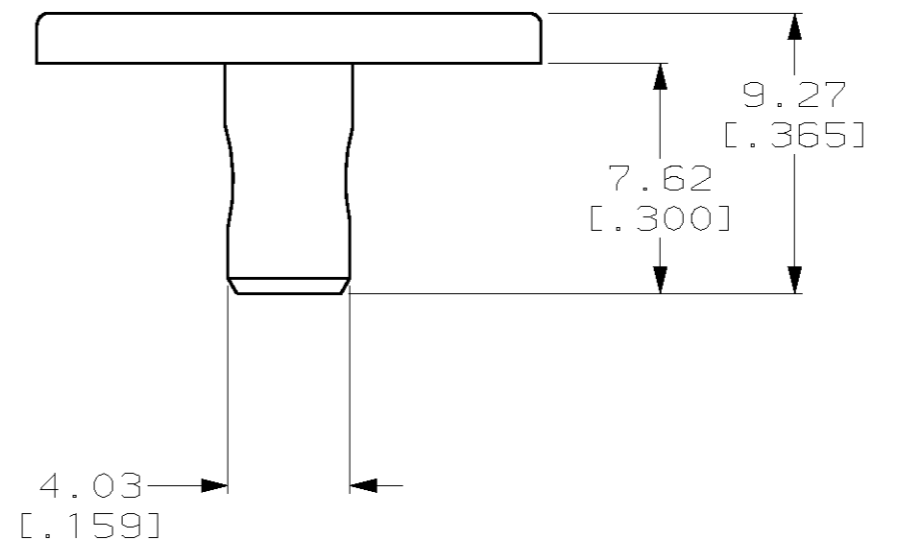
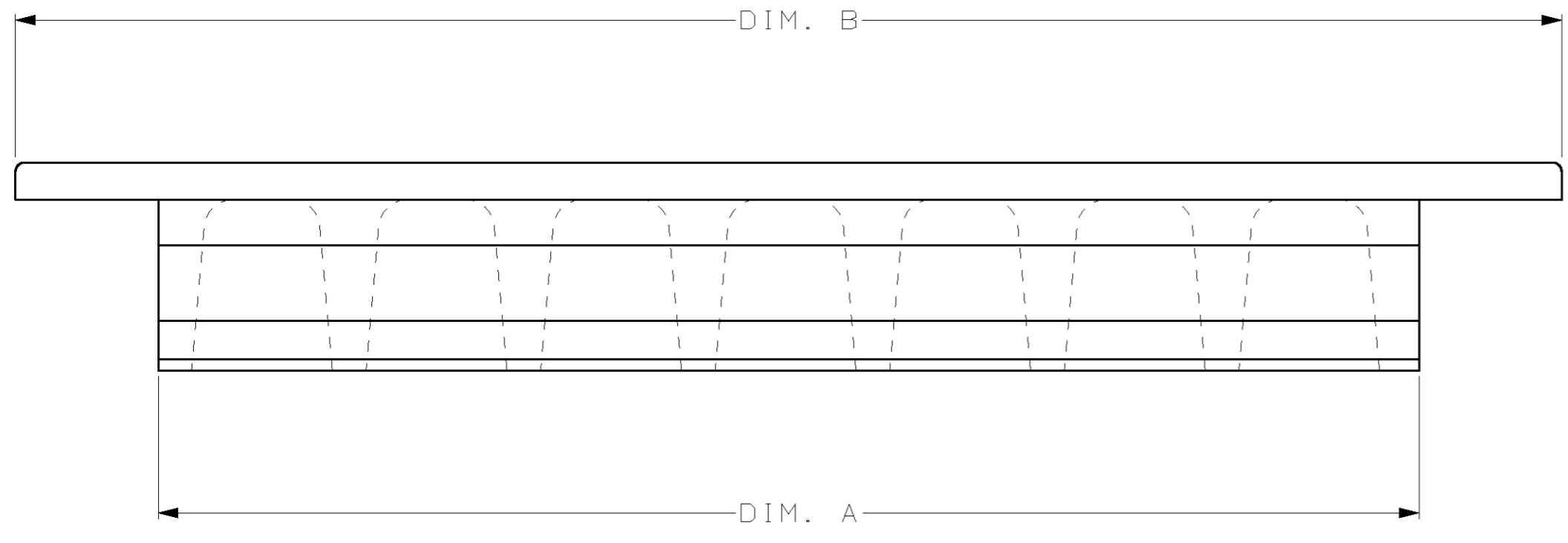
THIS DRAWING IS UNPUBLISHED. RELEASED FOR PUBLICATION, 19
 (C) COPYRIGHT 19 BY AMP INCORPORATED, ALL RIGHTS RESERVED.

LOC	DIST	REVISIONS			
P	LTR	DESCRIPTION	DATE	DWN	APVD
AA	20	A	REVISED; EC 0UFO-0130-01	28SEP01	DLD EWB



- 1. MATERIAL: POLYETHYLENE MOLDING COMPOUND, NATURAL.
- 2. DIMENSIONS ARE MAXIMUM UNLESS OTHERWISE SPECIFIED.

553441-4 SHOWN



64	84.07 [3.310]	71.37 [2.810]	553441-5
50	68.84 [2.710]	56.13 [2.210]	553441-4
36	53.59 [2.110]	40.89 [1.610]	553441-3
24	40.89 [1.610]	28.19 [1.110]	553441-2
14	29.72 [1.170]	17.02 [0.670]	553441-1
POSITION	DIM. B	DIM. A	PART NUMBER

THIS DRAWING IS A CONTROLLED DOCUMENT.		DWN DL DRUMMOND 26SEP2001	AMP AMP Incorporated Harrisburg, PA 17105-3608	
DIMENSIONS: mm [INCHES]		CHK DL DRUMMOND 26SEP2001		
TOLERANCES UNLESS OTHERWISE SPECIFIED:		APVD EW BEILES 28SEP2001	NAME RETAINER RECEPTACLE, ACTION PIN, CHAMP-LOK	
0 PLC ±-		PRODUCT SPEC -	SIZE CAGE CODE DRAWING NO RESTRICTED TO	
1 PLC ±-		APPLICATION SPEC -	A2 00779 C-553441 -	
2 PLC ±-		WEIGHT -	SCALE 4:1 SHEET 1 OF 1 REV A	
3 PLC ±-		CUSTOMER DRAWING		
4 PLC ±-				
ANGLES ±-				
FINISH -				

553441