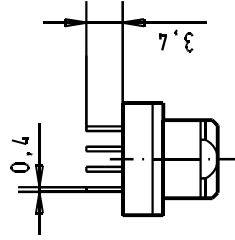
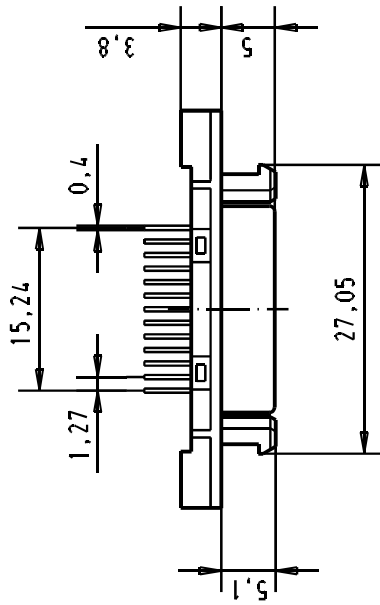
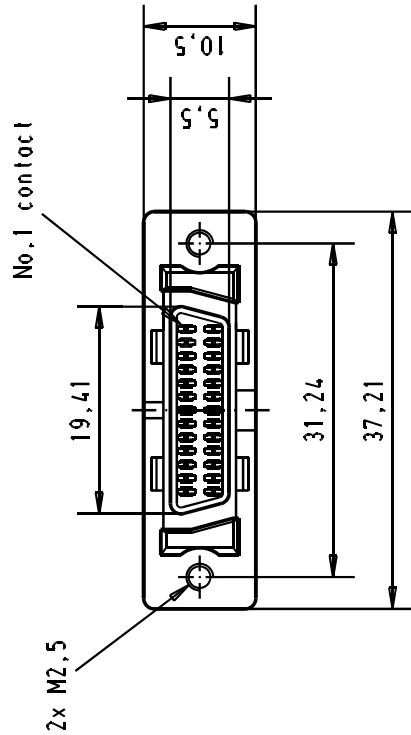
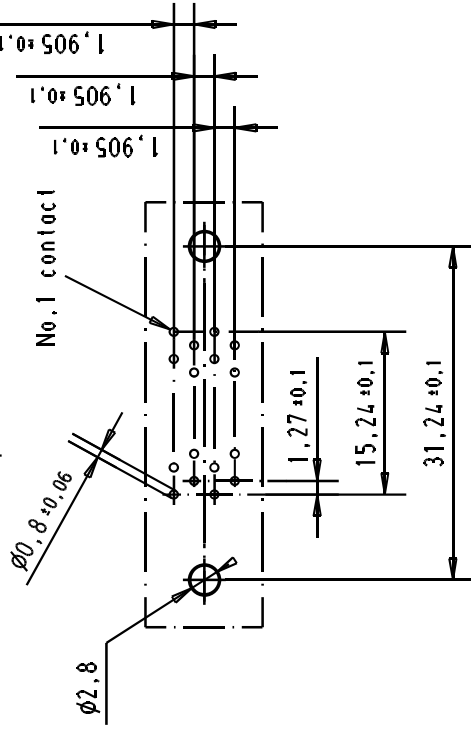


Alle Rechte vorbehalten. All rights reserved

5 4 3 2 1

Printed board layout
Component side



Pages S4 plating
0,1 μmm Gold over 0,6 μmm Pallodium
over 1,5 μmm Nickel

HARTING EURL F-95972 Paris		HARTING		har,mik® I/O pin/socket 26 poles female connector with straight solder pins and fixed latching		Maßstab/ Scale 1,5:1
33101 19/09/05 AM		33101 19/09/05 AM		TB 60 01 026 5102		Blatt/Page 1/1
27941 30-AUG-00 JB		27941 30-AUG-00 JB		Sml.		
Mod.		Del.		Name		
Insp.		Del.		Name		
Stand.		30-AUG-00		JB		
Detail.		30-AUG-00		JB		
Name		Name		Name		
All Dim. in mm Orig. Size DIN A 4		All Dim. in mm Orig. Size DIN A 4		All Dim. in mm Orig. Size DIN A 4		