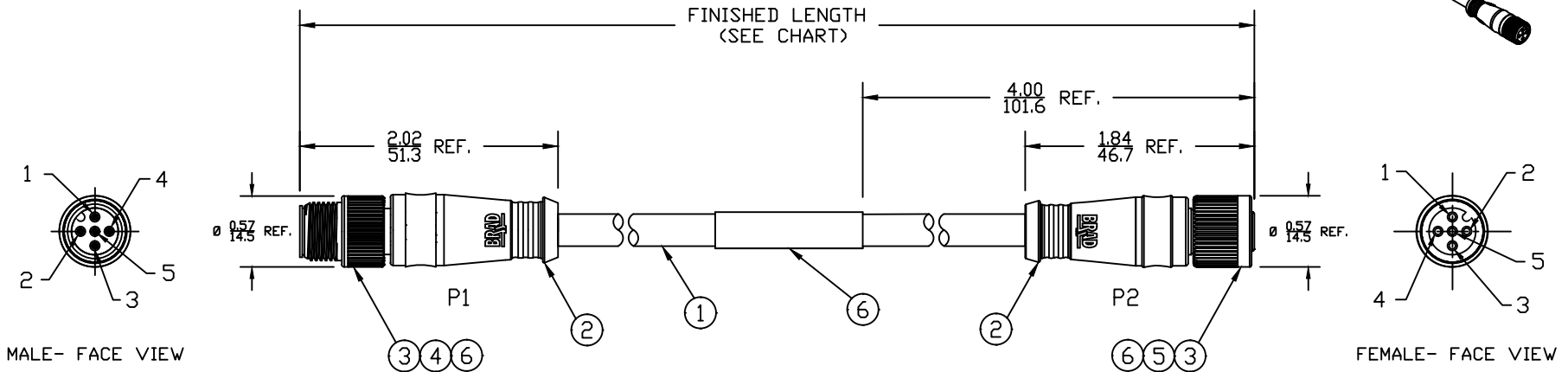
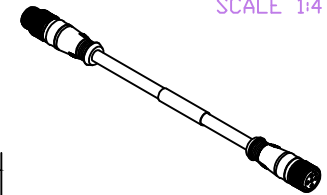


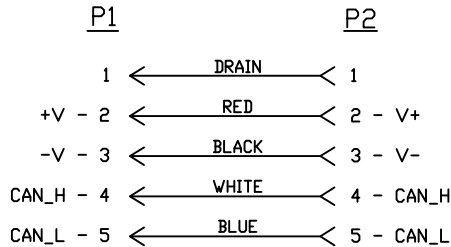
PART NUMBER	ENGINEERING NO.	LENGTH ± TOLERANCE
1300280132	DNDF22A-M010	3' 3" +2.19"/-0" [1M +55.6/-0 mm]
1300280140	DNDF22A-M030	9' 10" +3.50"/-0" [3M +88.9/-0 mm]
1300280143	DNDF22A-M050	16' 5" +6.50"/-0" [5M +165.1/-0 mm]

AUX VIEW
SCALE 1:4



NOTES:

- 1) MATERIAL: SEE TABLE
- 2) FINISHES: SEE TABLE
- 3) CABLE: #22/2, #24/2 + DRAIN, DEVICENET THIN HIGH FLEX
EACH PAIR: SHIELDED, TWISTED
UL FLAME RATING: CL3
CSA FLAME RATING: FT1
WELD SLAG RESISTANT
OVERALL: SHIELDED, TPE
- 4) ELECTRICAL DATA:
MAX. VOLTAGE: 250V AC/DC
MAX. CURRENT 4A
- 5) ENVIRONMENTAL:
PROTECTION IP67
TEMPERATURE RANGE: -20°C TO 80°C
- 6) WRAP LABEL IS MARKED WITH P/N, DATE CODE,
VOLTAGE & AMPERAGE.
- 7) ASSEMBLY IS RoHS COMPLIANT.



SCHEMATIC

ITEM	QTY.	DESCRIPTION	MATERIAL	FINISH
7	1	LABEL	PLASTIC FILM	BLACK/YELLOW
6	2	INSERT	NYLON	BLACK
5	2	SOCKET CONTACT	COPPER ALLOY	GOLD PLATED
4	5	PIN CONTACT	COPPER ALLOY	GOLD PLATED
3	2	M12 COUPLING NUT	ZINC DIE-CAST	BLACK
2	2	OVERMOLD	TPE	GRAY
1	1	DEVICENET CABLE	TPE JACKET	GRAY

UPDATED NOTES EC NO: IPC2016-0821 DRWN: GGUSTAFS 12/2/15 CHKD: BARDEN 2015/12/28 APPR: BWOODMAN	QUALITY SYMBOLS ▽=0 ▽/C=0	GENERAL TOLERANCES (UNLESS SPECIFIED)		DIMENSION STYLE IN/MM		SCALE 3:4	DESIGN UNITS INCH	THIRD ANGLE PROJECTION		
		4 PLACES	±---	±---	DRAWN BY VOU DATE 2009/07/30	TITLE M12 DEVICENET CABLE ASSY 5P MALE/FEM ST/ST #22/2 24/2 TPE -THIN FLX				
		3 PLACES	±---	±.005	CHECKED BY BWOODMAN DATE 2009/07/31	MOLEX INCORPORATED				
		2 PLACES	±---	±.010	APPROVED BY DATE	MATERIAL NO. SEE CHART DOCUMENT NO. SD-130028-004				
1 PLACE	±---	±.020	ANGULAR ±1/2°		SIZE A		THIS DRAWING CONTAINS INFORMATION THAT IS PROPRIETARY TO MOLEX INCORPORATED AND SHOULD NOT BE USED WITHOUT WRITTEN PERMISSION			
DRAFT WHERE APPLICABLE MUST REMAIN WITHIN DIMENSIONS			SHEET NO. 1 OF 1							