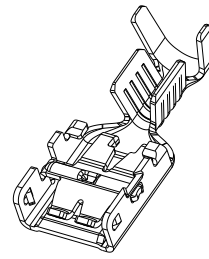
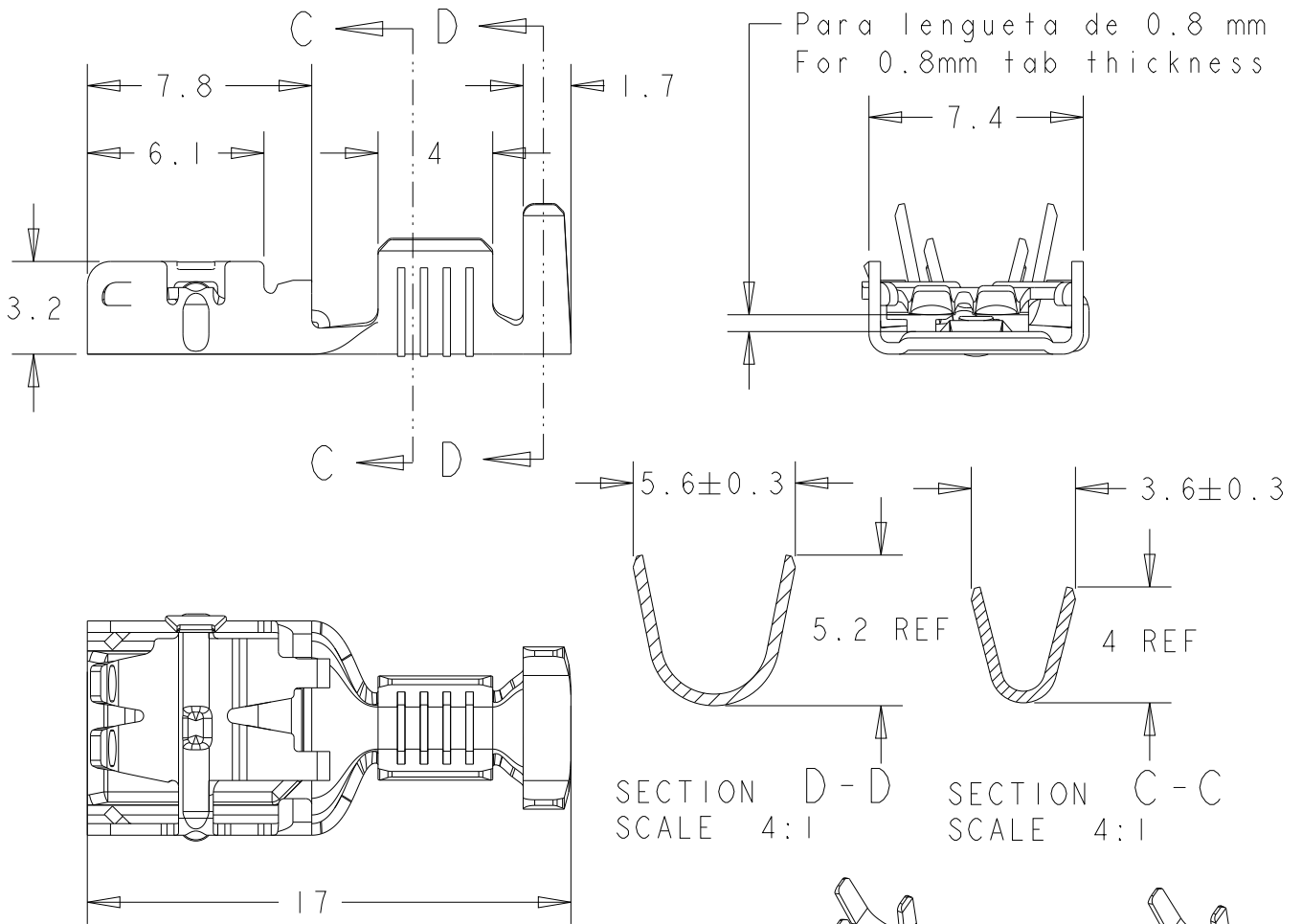
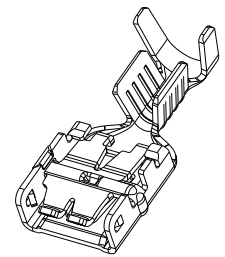


REVISIONS					
P	LTR	DESCRIPTION	DATE	DWN	APVD
	HI	REVISED PER ECR-19-018140	24DEC2020	SS	EW



Left-sided product



Right-sided product

Rango de hilo de >1,0 a 2,5 mm2
 Wire range from >1.0 to 2.5 mm2
 Diametro de aislante max 4,3 mm
 Max. Insulation Diameter 4.3 mm

© 2021 TE Connectivity. All Rights Reserved.

1644008-5	Latón Brass	Preestañado Pre-TiN
Guion Dash	Material	Acabado Finish

DIMENSIONS: mm		DWN J. Sal 22 Dec 04	MATERIAL	Table	FINISH	Table
TOLERANCES UNLESS OTHERWISE SPECIFIED:		CHK L. Lázaro 22 Dec 04	TE Connectivity			
0 PLC	±0.5	APVD -				
1 PLC	±0.5	PRODUCT SPEC	NAME E-SPRING CONTACT 6,35 Receptaculo 6,35 Receptáculo E-SPRING CONTACT			
2 PLC	±	108-22128 Brass				
3 PLC	±	108-22150 Pre-Ni Steel	SIZE	CAGE CODE	DRAWING NO	RESTRICTED TO
4 PLC	±	APPLICATION SPEC	A4	00779	C-1644008	-
ANGLES	±	114-22017	CUSTOMER DRAWING			
		WEIGHT	SCALE 4:1			
			SHEET 1 OF 1		REV HI	