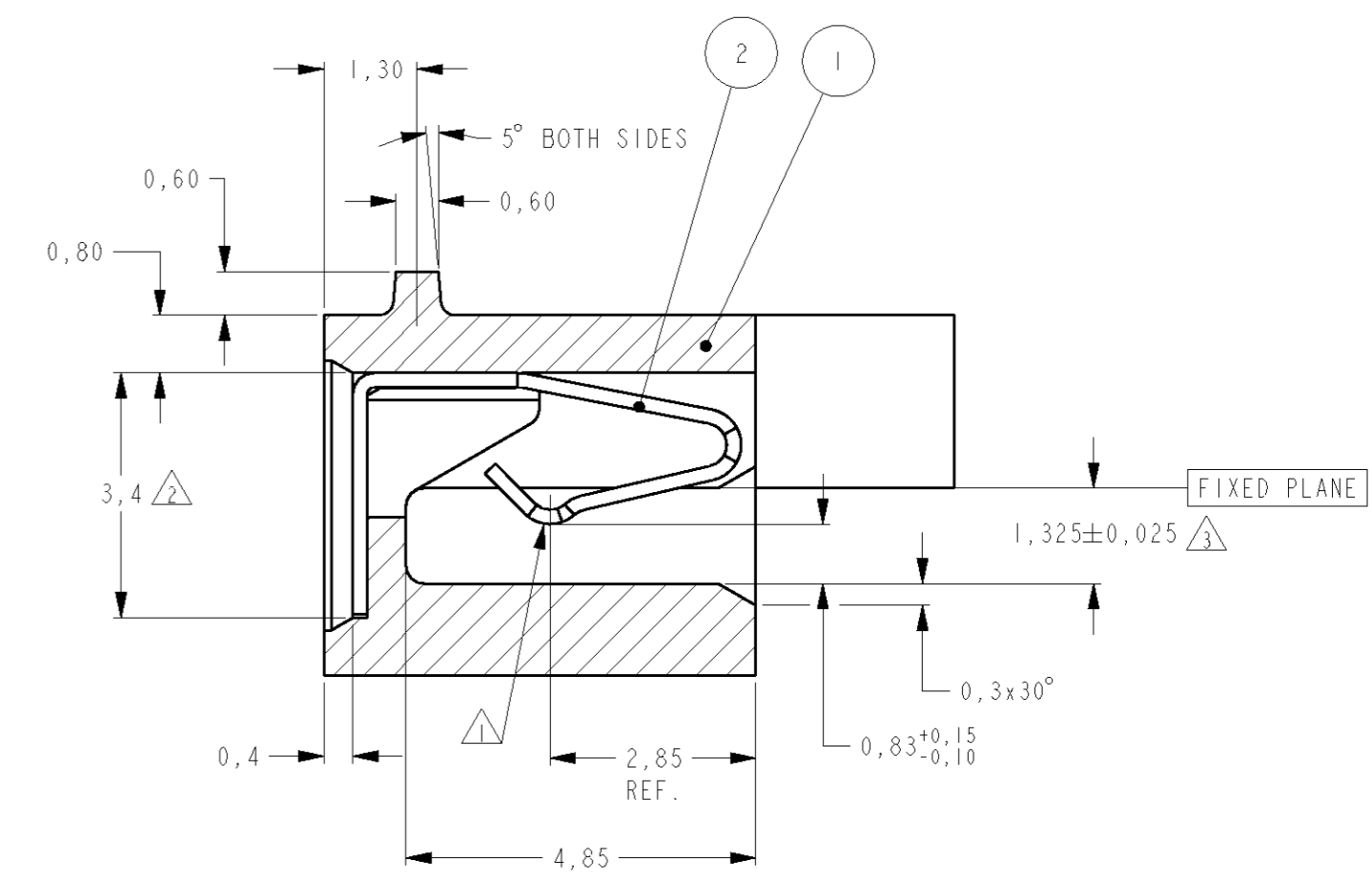
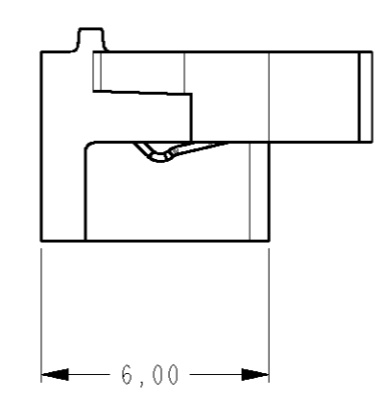
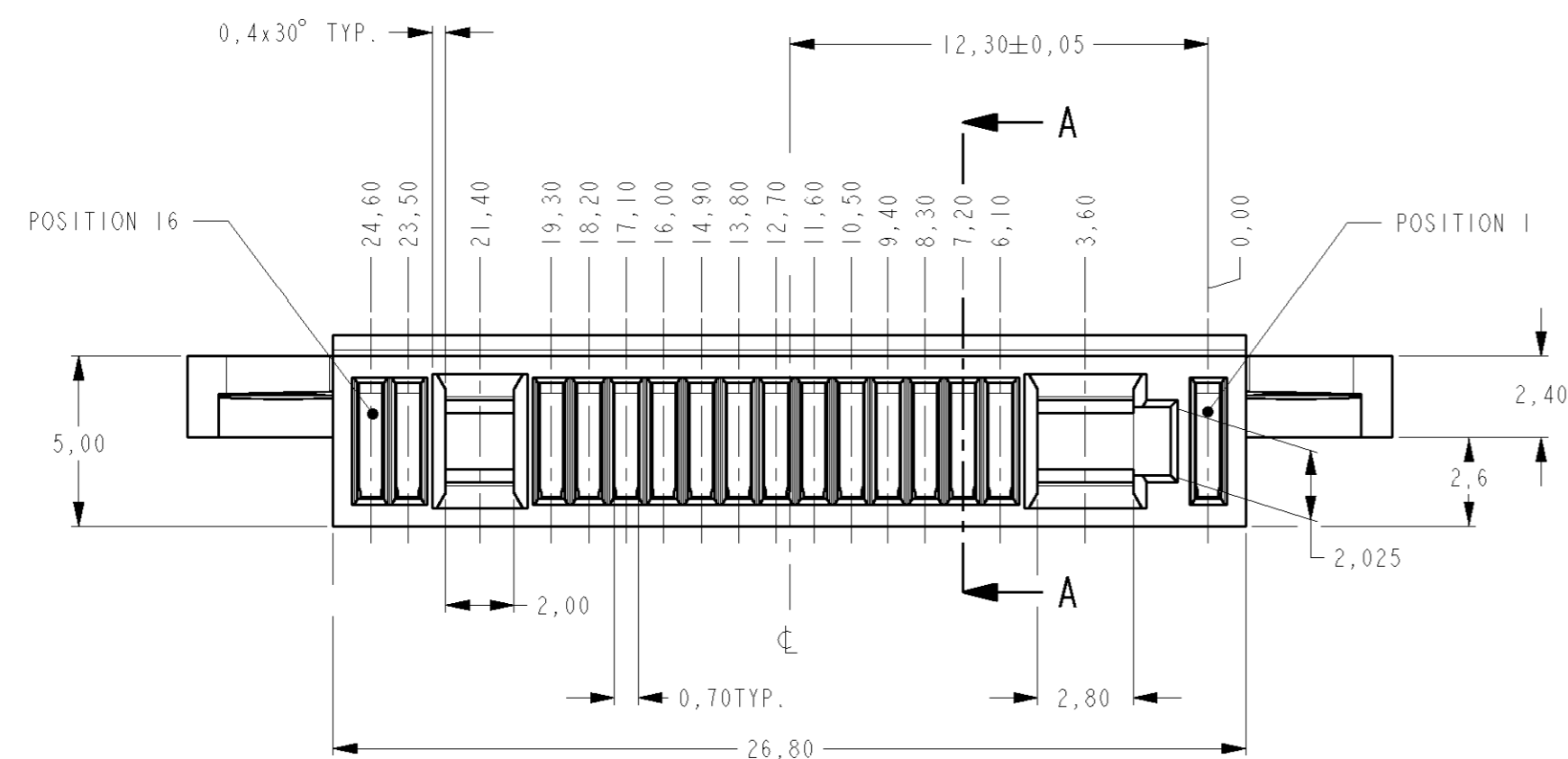
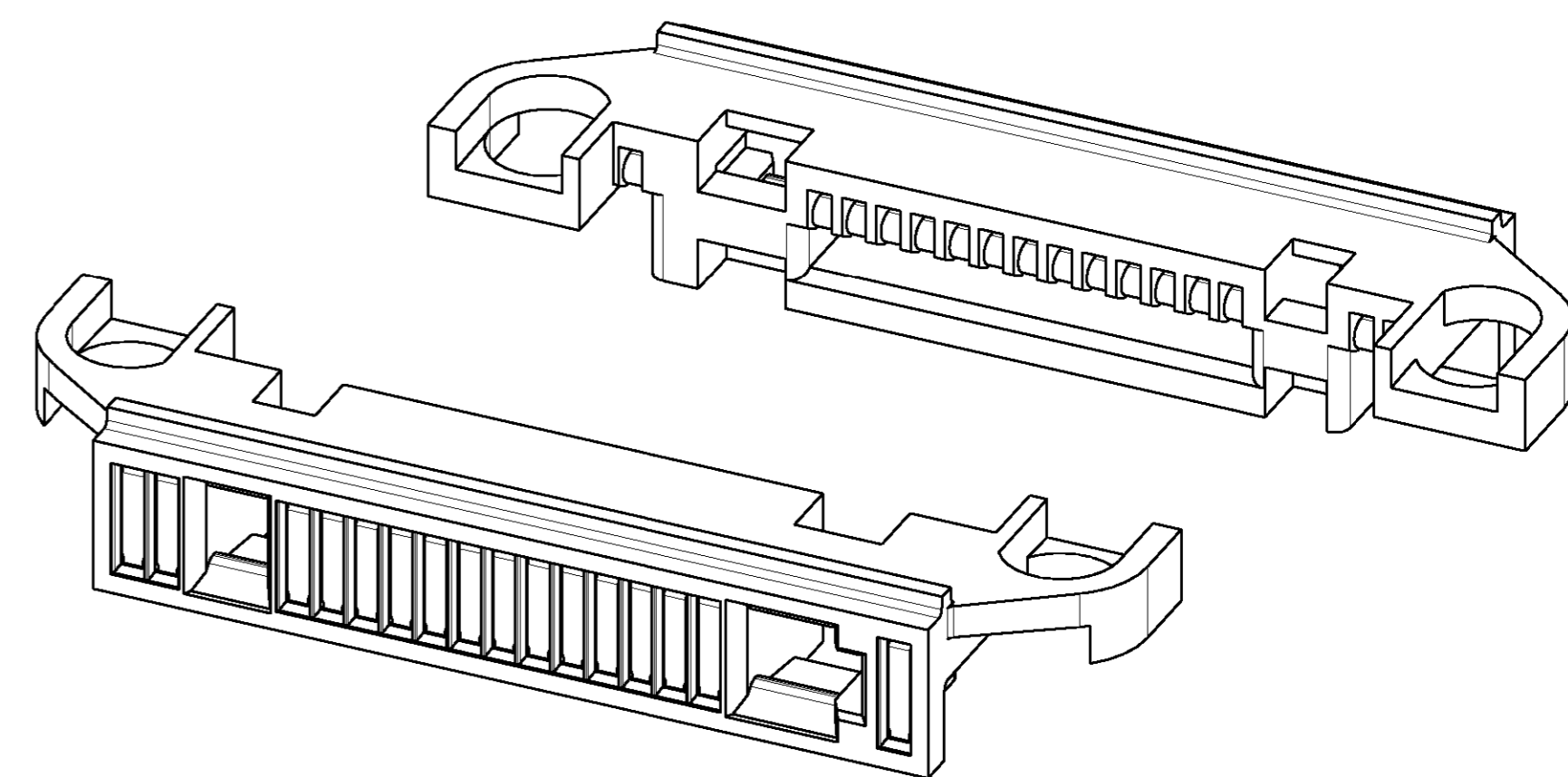
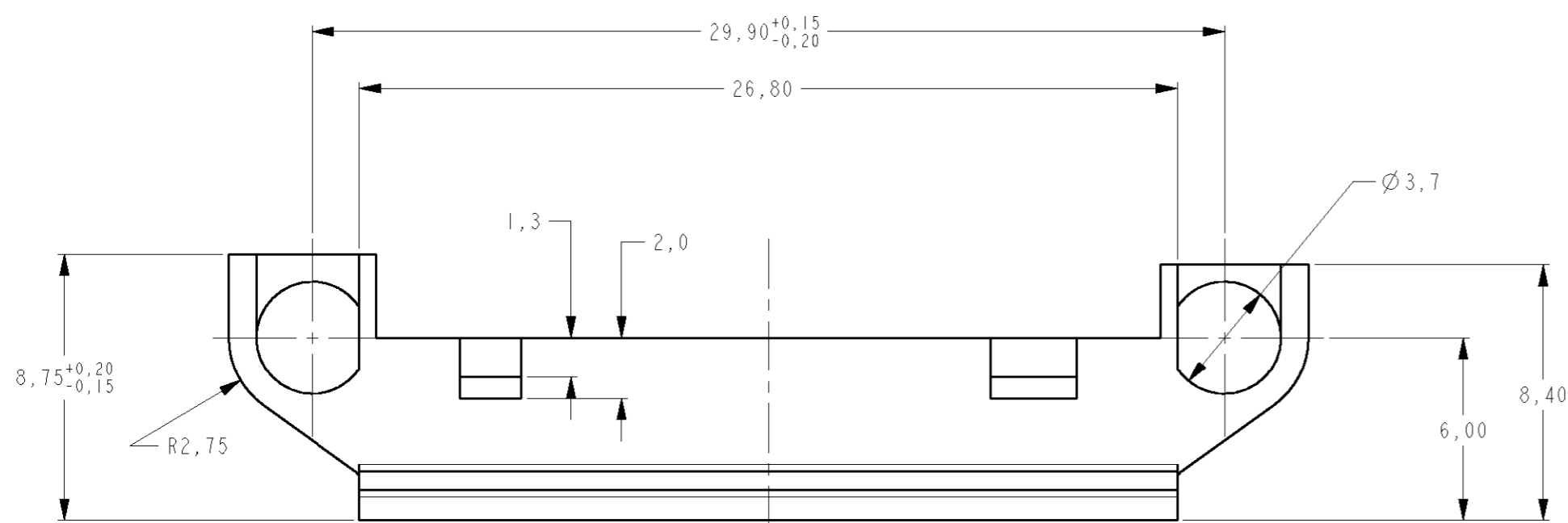
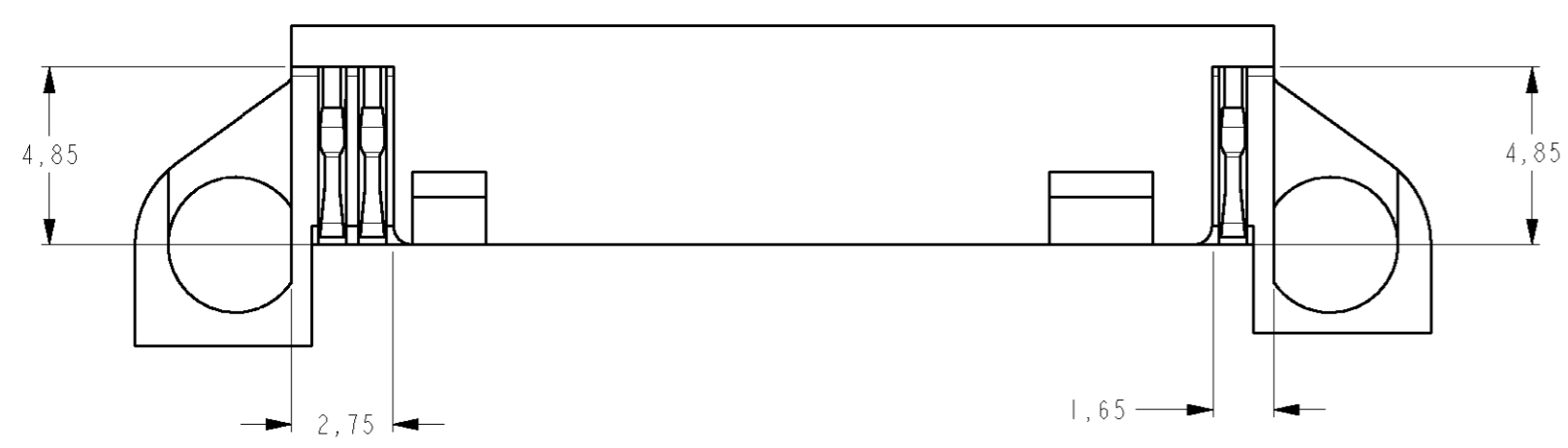


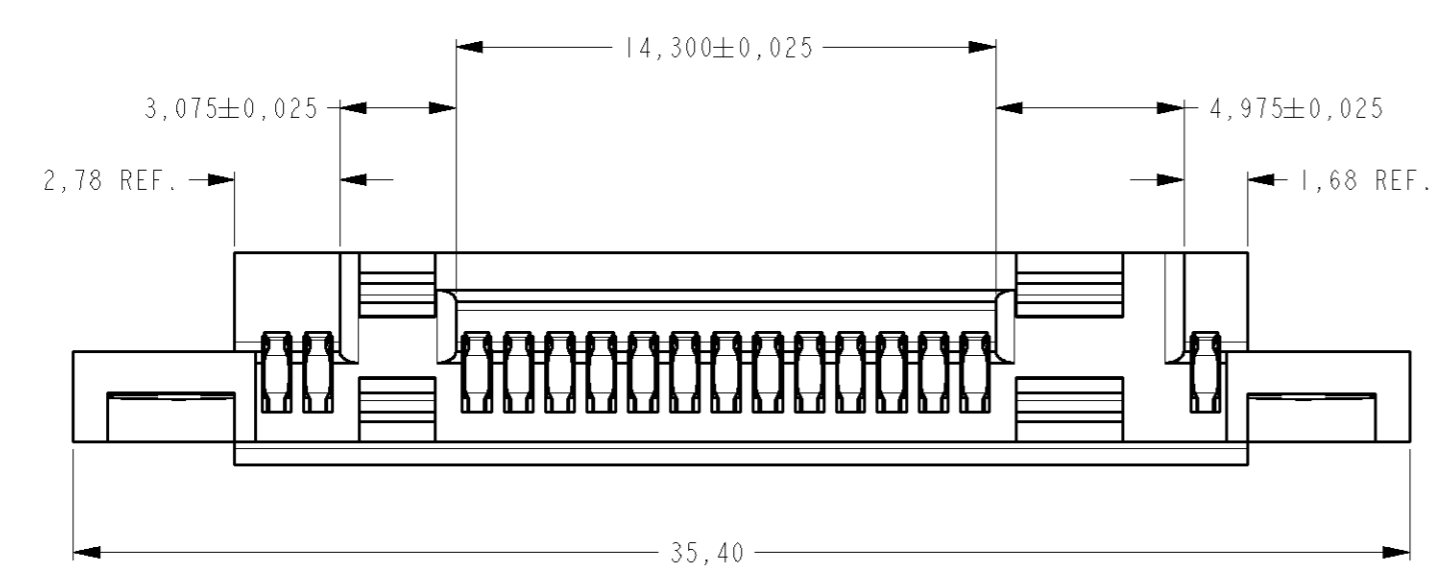
LOC	DIST	LTR	REVISION RECORD	DATE	APVD
H	-	A	EH00-1620-00	22 OCT 99	CvT
		B	EH00-0219-01	06 MRT 01	JvdH
		-	-	-	-



SECTION A-A
SCALE 10:1



- NOTES :
- △ 0,2 µm GOLD OVER 1,3 µm NICKEL IN CONTACTAREA.
 - △ 0,8 µm GOLD OVER 1,3 µm NICKEL IN CONTACTAREA.
 - △ SUITABLE FOR 1,2+/-0,1mm PCB THICKNESS.



ORDERNUMBER 1-338967-2

Item #	Description	Material	Finish
2	IN-PHONE CONTACT	PHOSPHOR BRONZE	GOLD PLATED△△
1	SYSTEM CONN. HOUSING	LCP GF	BLACK

<small>THIS DRAWING IS A CONTROLLED DOCUMENT FOR TYCO ELECTRONICS NEDERLAND B.V. IT IS SUBJECT TO CHANGE AND THE CONTROLLING ENGINEERING ORGANIZATION SHOULD BE CONTACTED FOR THE LATEST REVISION.</small>	
DIMENSIONS: mm	TOLERANCES UNLESS OTHERWISE SPECIFIED:
	0 PLC ± 0,2
	1 PLC ± 0,15
	2 PLC ± 0,10
	3 PLC ± -
	4 PLC ± -
ANGLES ± 1°	
MATERIAL	FINISH
-	-

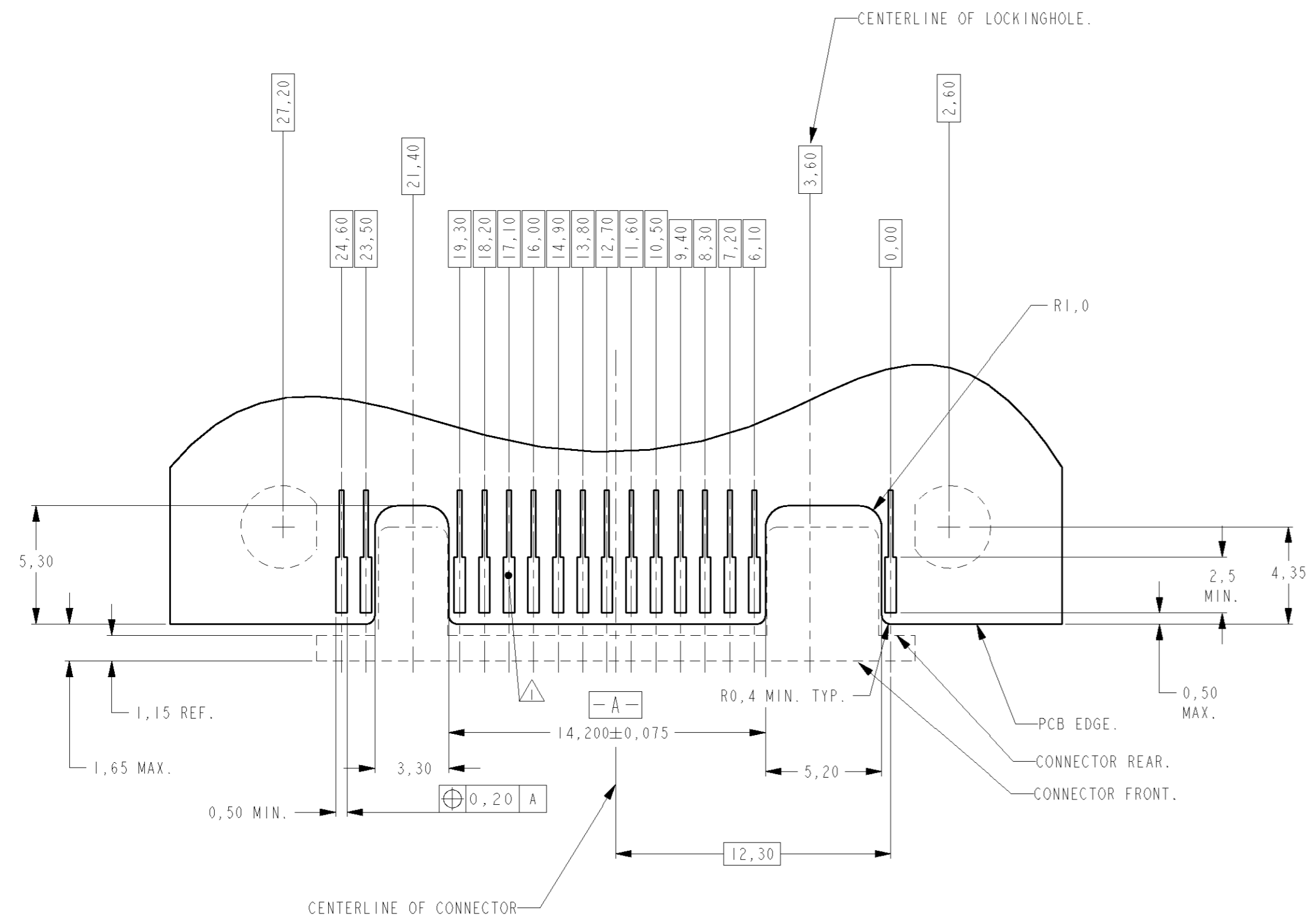
AMP TYCO ELECTRONICS NEDERLAND B.V. 's-HERTOGENBOSCH, THE NETHERLANDS

NAME: I/O CONNECTOR 16 POSITION + 2 LOCKING HOLES + KEYING.

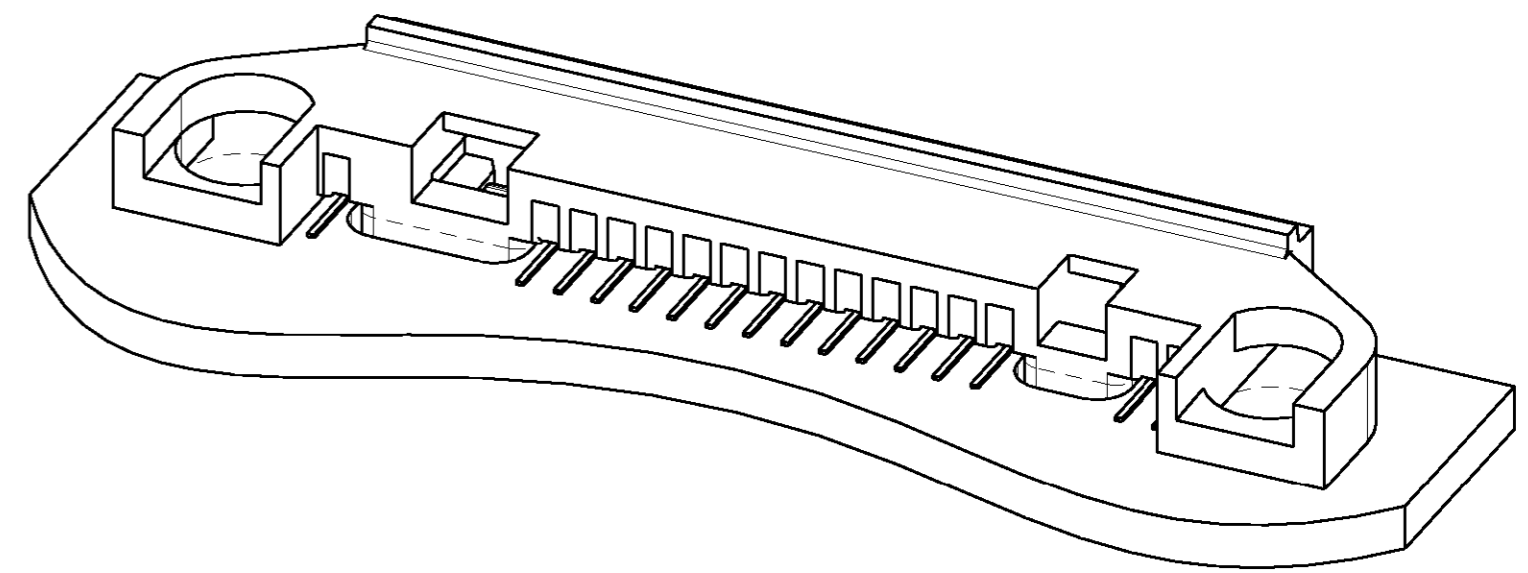
SIZE: A2 CAGE CODE: 00779 DRAWING NO: C-338967

CUSTOMER DRAWING SCALE: 5:1 SHEET: 1 OF 2 REV: B

LOC	DIST	LTR	REVISION RECORD	DATE	APVD
H	-	-	SEE SHEET 1	-	-
-	-	-	-	-	-
-	-	-	-	-	-



RECOMMENDED PCB-LAYOUT FOR I/O CONNECTOR.



NOTE:
 ▲ PLATING OF CONTACT AREA:
 MIN. 0,20 µm GOLD OVER MIN. 1,3 µm Ni.
 2 NO SOLDERMASK PERMITTED IN MOUNTING AREA OF CONNECTOR.
 (BOTH SIDES OF THE BOARD).

<small>THIS DRAWING IS A CONTROLLED DOCUMENT FOR TYCO ELECTRONICS NEDERLAND B.V. IT IS SUBJECT TO CHANGE AND THE CONTROLLING ENGINEERING ORGANIZATION SHOULD BE CONTACTED FOR THE LATEST REVISION.</small>		DWN J.V.D.HEIJDEN, 10 MRT 99		AMP TYCO ELECTRONICS NEDERLAND B.V. 's-HERTOGENBOSCH, THE NETHERLANDS	
DIMENSIONS: mm		TOLERANCES UNLESS OTHERWISE SPECIFIED: 0 PLC ± - 1 PLC ± - 2 PLC ± - 3 PLC ± - 4 PLC ± - ANGLES ± -		NAME R.DAAMEN.	
MATERIAL -		FINISH -		PRODUCT SPEC - APPLICATION SPEC - WEIGHT -	
		SIZE A2		CAGE CODE 00779	
		DRAWING NO C-338967		RESTR TO -	
CUSTOMER DRAWING				SCALE 5:1 SHEET 2 OF 2 REV B	