

# MACX MCR-SL-2NAM-RO-SP - Isolation amplifier



2924294

<https://www.phoenixcontact.com/us/products/2924294>

Please be informed that the data shown in this PDF document is generated from our online catalog. Please find the complete data in the user documentation. Our general terms of use for downloads are valid.



NAMUR 2-channel signal conditioner for operating proximity sensors and switches. The signals are transferred to the control level using relay outputs (N/O contact). Line fault detection, 3-way electrical isolation, SIL 2, Push-in connection.

## Your advantages

- Power supply and error indication possible via DIN rail connector
- Up to SIL 2 in accordance with EN 61508
- Installation in zone 2, protection type "n" (EN 60079-15) permitted
- Line fault detection (LFD), can be activated/deactivated, error indicated by flashing red LED with de-excitation of output relay
- LED indicators for supply voltage, switching state, and malfunction in accordance with NAMUR NE 44
- Direction of operation can be selected (operating or closed circuit current behavior)
- 3-way electrical isolation
- 2-channel
- Relay signal output (N/O contact)
- Input for NAMUR proximity sensors (EN 60947-5-6), floating contacts or contacts with resistance circuit

## Commercial data

Item number	2924294
Packing unit	1 pc
Minimum order quantity	1 pc
Sales key	C402
Product key	CK1141
Catalog page	Page 136 (C-5-2019)
GTIN	4046356492096
Weight per piece (including packing)	183.6 g
Weight per piece (excluding packing)	140 g
Customs tariff number	85365019
Country of origin	DE

# MACX MCR-SL-2NAM-RO-SP - Isolation amplifier



2924294

<https://www.phoenixcontact.com/us/products/2924294>

## Technical data

### Product properties

Product type	Isolating switch transf.
Product family	MACX Analog
Application	Digital IN
No. of channels	2
Type	Signal conditioners with SIL functional safety
Configuration	DIP switches

### System properties

#### Functionality

Configuration	DIP switches
---------------	--------------

### Electrical properties

No. of channels	2
Electrical isolation	3-way isolation
Electrical isolation between input and output	yes
Maximum power dissipation for nominal condition	< 1 W

#### Electrical isolation Input/output IEC/EN 60079-11

Standards/regulations	IEC/EN 60079-11
Rated insulation voltage	375 V <sub>PP</sub>
Overvoltage category	III
Pollution degree	2

#### Electrical isolation Input/supply, DIN rail connector IEC/EN 60079-11

Standards/regulations	IEC/EN 60079-11
Rated insulation voltage	375 V <sub>PP</sub>
Overvoltage category	II
Pollution degree	2

#### Electrical isolation Input/supply, DIN rail connector IEC/EN 61010-1

Standards/regulations	IEC/EN 61010-1
Rated insulation voltage	300 V <sub>rms</sub>
Overvoltage category	II
Pollution degree	2
Insulation	Safe isolation

#### Electrical isolation Output 1/output 2/input, power supply, DIN rail connector IEC/EN 61010-1

Standards/regulations	IEC/EN 61010-1
Rated insulation voltage	300 V <sub>rms</sub>
Overvoltage category	III
Pollution degree	2
Insulation	Safe isolation

# MACX MCR-SL-2NAM-RO-SP - Isolation amplifier



2924294

<https://www.phoenixcontact.com/us/products/2924294>

Electrical isolation Output 1/output 2/input/power supply, DIN rail connector

Test voltage	2.5 kV AC (50 Hz, 60 s)
Overvoltage category	III
Pollution degree	2

Supply

Nominal supply voltage	24 V DC -20 % ... +25 %
Supply voltage range	19.2 V DC ... 30 V DC
Max. current consumption	35 mA (24 V DC)
Power dissipation	< 1 W
Power consumption	< 1 W

## Input data

Signal: NAMUR

Number of inputs	2
Available input sources	NAMUR proximity sensors (IEC/EN 60947-5-6) Floating switch contacts Switch contacts with resistance circuit
Switching threshold "0" signal current	< 1.2 mA (blocking)
Switching threshold "1" signal, current	> 2.1 mA (conductive)
Short-circuit current	8 mA
Switching hysteresis	< 0.2 mA
Line fault detection	< 0.05 mA ... 0.35 mA (Line break) < 100 Ω ... 360 Ω (Short circuit) Activated /deactivated via DIP switch
Non-load voltage	8 V DC

## Output data

Switching: Relay

Contact switching type	1 N/O contact per channel
Contact material	AgSnO <sub>2</sub> , hard gold-plated
Maximum switching voltage	250 V AC (2 A) 120 V DC (0.2 A) 30 V DC (2 A)
Maximum switching capacity	500 VA
Recommended minimum load	5 V / 10 mA
Switching frequency	≤ 20 Hz (without load)

Signal

Number of outputs	2
-------------------	---

## Connection data

Connection method	Push-in connection
Stripping length	10 mm

# MACX MCR-SL-2NAM-RO-SP - Isolation amplifier



2924294

<https://www.phoenixcontact.com/us/products/2924294>

Conductor cross section rigid	0.2 mm <sup>2</sup> ... 2.5 mm <sup>2</sup>
Conductor cross section flexible	0.2 mm <sup>2</sup> ... 2.5 mm <sup>2</sup>
Conductor cross section flexible (2 conductors with same cross section)	0.25 mm <sup>2</sup> ... 0.34 mm <sup>2</sup> (TWIN ferrule without plastic sleeve)
	0.5 mm <sup>2</sup> ... 1.5 mm <sup>2</sup> (TWIN ferrule with plastic sleeve)
Conductor cross section AWG	24 ... 14
	24 ... 22 (TWIN ferrule without plastic sleeve)
	20 ... 16 (TWIN ferrule with plastic sleeve)

## Ex data

Ex installation (EPL)	Gc
	Div. 2

## Interfaces

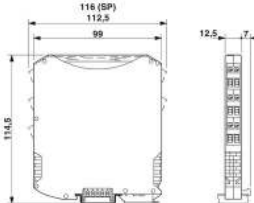
### Data

No. of channels	0
-----------------	---

## Signaling

Status display	Green LED (supply voltage)
	LED yellow (switching state)
	Red LED (line errors)

## Dimensions

Dimensional drawing	
Width	12.5 mm
Height	107.9 mm
Depth	113.7 mm
Depth NS 35/7,5	114.5 mm (Snapped onto DIN rail NS 35/7,5 in accordance with EN 60715)

## Material specifications

Flammability rating according to UL 94	V0 (Housing)
Housing material	PA 6.6-FR

## Characteristics

### Safety data

Safety Integrity Level (SIL)	2
------------------------------	---

Safety data: IEC 61508 - Low demand

Safety Integrity Level (SIL)	2
------------------------------	---

	2
--	---

## Environmental and real-life conditions

### Ambient conditions

Degree of protection	IP20 (not assessed by UL)
Ambient temperature (operation)	-40 °C ... 60 °C (Any mounting position)
	-40 °C ... 70 °C (Derating)
Ambient temperature (storage/transport)	-40 °C ... 85 °C
Permissible humidity (operation)	5 % ... 95 % (non-condensing)

### Altitude range (≤ 2000 m)

Altitude	≤ 2000 m (The technical data refers to altitudes ≤2000 m above mean sea level. For altitudes >2000 m above mean sea level, refer to the data sheet.)
Ambient temperature (operation)	-40 °C ... 60 °C
	-40 °C ... 70 °C (Derating)
Rated insulation voltage	253 V AC (Power supply, input / output)
	125 V DC (Power supply, input / output)

### Altitude range (≤ 3000 m)

Height range	> 2000 m ... 3000 m
Ambient temperature (operation)	-40 °C ... 54 °C
	-40 °C ... 63 °C (Derating)
Rated insulation voltage	190 V AC (Power supply, input / output)
	110 V DC (Power supply, input / output)

### Altitude range (≤ 4000 m)

Height range	> 3000 m ... 4000 m
Ambient temperature (operation)	-40 °C ... 48 °C
	-40 °C ... 56 °C (Derating)
Rated insulation voltage	60 V AC/DC (Power supply, input / output)

### Altitude range (≤ 5000 m)

Height range	> 4000 m ... 5000 m
Ambient temperature (operation)	-40 °C ... 42 °C
	-40 °C ... 49 °C (Derating)
Rated insulation voltage	60 V AC/DC (Power supply, input / output)

## Approvals

### CE

Certificate	CE-compliant
Note	and EN 61326-1

### ATEX

Identification	Ⓜ II 3G Ex ec nC IIC T4 Gc
Certificate	IBExU 07 ATEX 1069 X

# MACX MCR-SL-2NAM-RO-SP - Isolation amplifier



2924294

<https://www.phoenixcontact.com/us/products/2924294>

## UKCA Ex (UKEX)

Identification	Ⓜ II 3G Ex ec nC IIC T4 Gc
Certificate	PxCIF21UKEX2865049X

## IECEX

Identification	Ex ec nC IIC T4 Gc
Certificate	IBE 08.0001 X

## CCC / China-Ex

Identification	Ex ec nC IIC T4 Gc
Certificate	2021122304114179

## UL, USA/Canada

Identification	UL 508 Listed
	UL 61010 Listed
	Class I, Div. 2, Groups A, B, C, D T4
	Class I, Zone 2, Group IIC T4

## Shipbuilding approval

Certificate	DNV GL TAA00000AG
-------------	-------------------

## Safety Integrity Level (SIL, IEC 61508)

Identification	2
----------------	---

## INMETRO

Identification	Ex ec nC IIC T4 Gc
Certificate	DNV 18.0114 X

## EAC Ex

Identification	Ⓜ Ex ec nC IIC T4 Gc
Certificate	BY/112 02.01 TP012 103.01 00078

## DNV GL data

Temperature	B
Humidity	B
Vibration	A
EMC	B
Enclosure	Required protection according to the Rules shall be provided upon installation on board

## EMC data

Noise immunity	EN 61000-6-2
	EN 61326
Electromagnetic compatibility	Conformance with EMC directive
Noise emission	EN 61000-6-4

## Electromagnetic HF field

Designation	Electromagnetic RF field
-------------	--------------------------

# MACX MCR-SL-2NAM-RO-SP - Isolation amplifier



2924294

<https://www.phoenixcontact.com/us/products/2924294>

Standards/regulations	EN 61000-4-3
Evaluation criterion	A

## Fast transients (burst)

Designation	Fast transients (burst)
Standards/regulations	EN 61000-4-4
Evaluation criterion	A

## Conducted interference

Designation	Conducted interferences
Standards/regulations	EN 61000-4-6
Evaluation criterion	A

## Standards and regulations

Electrical isolation	3-way isolation
----------------------	-----------------

## GB Standard

Standards/regulations	GB/T 3836.1
	GB/T 3836.3
	GB/T 3836.8

## Mounting

Mounting type	DIN rail mounting
---------------	-------------------

# MACX MCR-SL-2NAM-RO-SP - Isolation amplifier

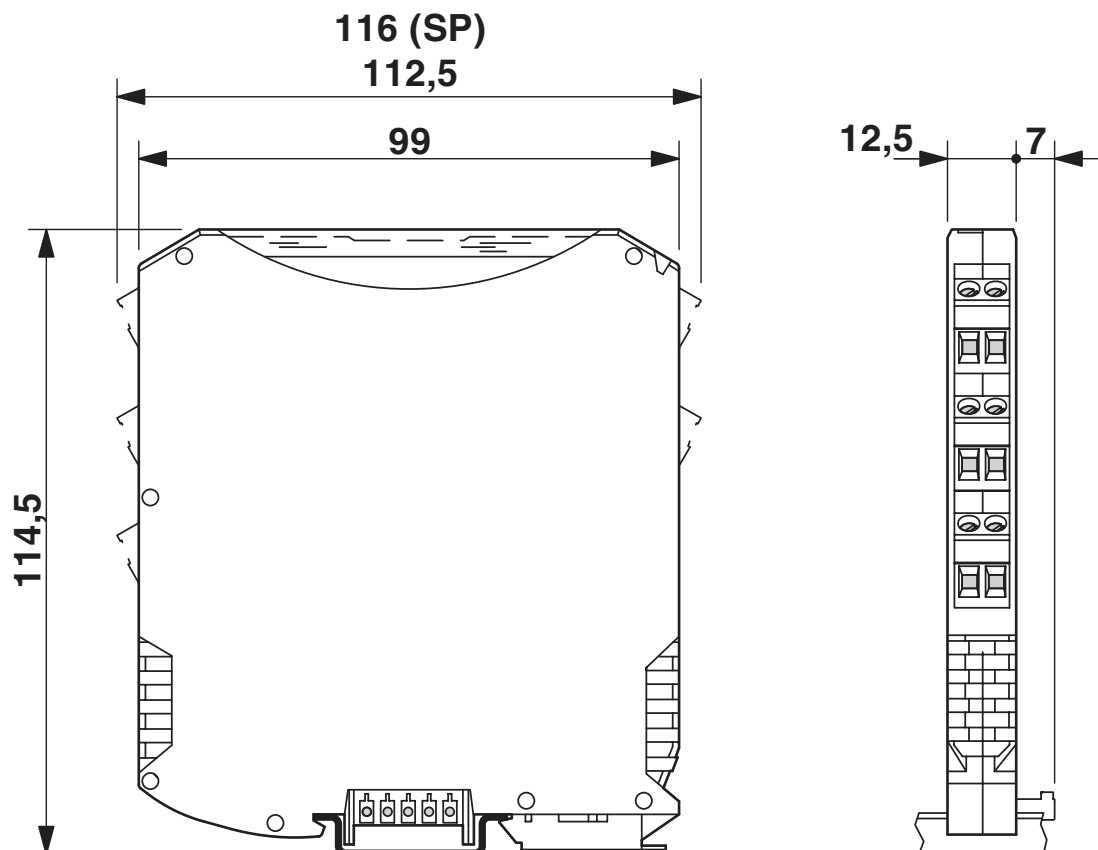


2924294

<https://www.phoenixcontact.com/us/products/2924294>

## Drawings

Dimensional drawing





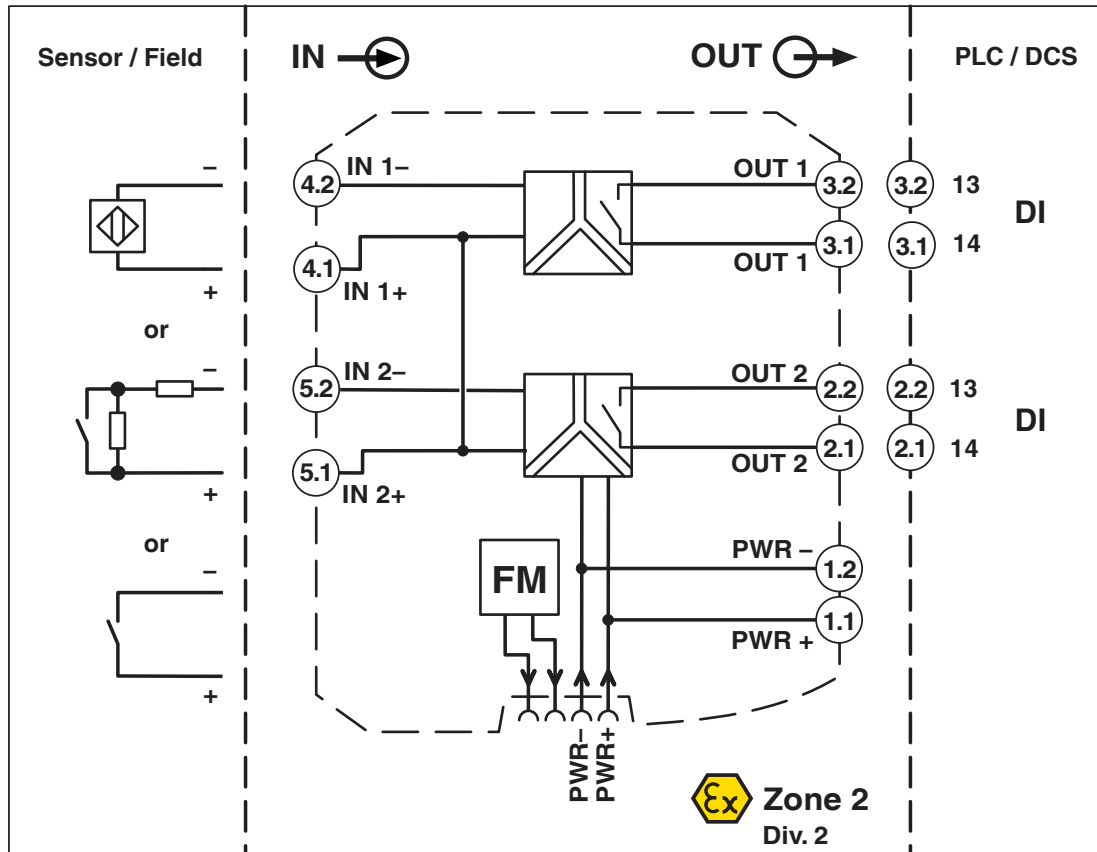
# MACX MCR-SL-2NAM-RO-SP - Isolation amplifier



2924294

<https://www.phoenixcontact.com/us/products/2924294>

Block diagram



# MACX MCR-SL-2NAM-RO-SP - Isolation amplifier



2924294

<https://www.phoenixcontact.com/us/products/2924294>

## Approvals

To download certificates, visit the product detail page: <https://www.phoenixcontact.com/us/products/2924294>



**DNV GL**

Approval ID: TAA00000AG



**UL Listed**

Approval ID: FILE E 330267



**CCC**

Approval ID: 2021122304114179



**cUL Listed**

Approval ID: FILE E 330267

**Functional Safety**

Approval ID: 07-06-39 R005 V2R2



**EAC Ex**

Approval ID: TP012 103.01 00078



**IECEx**

Approval ID: IECEx IBE 08.0001X



**cUL Listed**

Approval ID: FILE E 199827



**UL Listed**

Approval ID: FILE E 199827



**ATEX**

Approval ID: IBEU07ATEX1069

**INMETRO**

Approval ID: DNV 18.0114 X

# MACX MCR-SL-2NAM-RO-SP - Isolation amplifier



2924294

<https://www.phoenixcontact.com/us/products/2924294>



**IECEx**

Approval ID: IECEx IBE 08.0001X



**ATEX**

Approval ID: IBExU07ATEX1069

**cULus Listed**

**cULus Listed**

# MACX MCR-SL-2NAM-RO-SP - Isolation amplifier



2924294

<https://www.phoenixcontact.com/us/products/2924294>

## Classifications

### ECLASS

ECLASS-11.0	27210121
ECLASS-12.0	27210121
ECLASS-13.0	27210121

### ETIM

ETIM 8.0	EC001485
----------	----------

### UNSPSC

UNSPSC 21.0	39121000
-------------	----------

# MACX MCR-SL-2NAM-RO-SP - Isolation amplifier



2924294

<https://www.phoenixcontact.com/us/products/2924294>

## Environmental product compliance

China RoHS	Environmentally Friendly Use Period = 50 years For information on hazardous substances, refer to the manufacturer's declaration available under "Downloads"
------------	--

# MACX MCR-SL-2NAM-RO-SP - Isolation amplifier



2924294

<https://www.phoenixcontact.com/us/products/2924294>

## Accessories

### ME 6,2 TBUS-2 1,5/5-ST-3,81 GY - DIN rail bus connectors

2695439

<https://www.phoenixcontact.com/us/products/2695439>

DIN rail connector (TBUS), 5-pos., for bridging the supply voltage, can be snapped onto NS 35/... DIN rail in accordance with EN 60715



---

### ME 6,2 TBUS-PR-ADAPTER - DIN rail bus connectors

1136500

<https://www.phoenixcontact.com/us/products/1136500>

Power rail adapter (ME 6,2 TBUS-PR-ADAPTER), 2-pos., enables MINI and MACX Analog modules to be adapted for supply via universal power rail UPR-03 and UPR-05.



# MACX MCR-SL-2NAM-RO-SP - Isolation amplifier



2924294

<https://www.phoenixcontact.com/us/products/2924294>

## MCR-DP - Separating plate

1430594

<https://www.phoenixcontact.com/us/products/1430594>



The partition plate is used to maintain Ex i isolating distances when Ex i and non-Ex i devices are mounted side by side on a DIN rail.

---

## TC-2D37SUB-ADIO32-2EX-P-UNI - Module carrier

2904684

<https://www.phoenixcontact.com/us/products/2904684>



Universal Termination Carrier for connecting 16 two-channel MACX Analog Ex i signal conditioners to digital or analog I/O cards, via two D-SUB connectors, 37-pos. (1:1 connection)

# MACX MCR-SL-2NAM-RO-SP - Isolation amplifier



2924294

<https://www.phoenixcontact.com/us/products/2924294>

## MPS-IH WH - Insulating sleeve

0201663

<https://www.phoenixcontact.com/us/products/0201663>

Insulating sleeve, color: white



---

## MPS-IH RD - Insulating sleeve

0201676

<https://www.phoenixcontact.com/us/products/0201676>

Insulating sleeve, color: red





# MACX MCR-SL-2NAM-RO-SP - Isolation amplifier



2924294

<https://www.phoenixcontact.com/us/products/2924294>

## MPS-IH BU - Insulating sleeve

0201689

<https://www.phoenixcontact.com/us/products/0201689>

Insulating sleeve, color: blue



---

## MPS-IH YE - Insulating sleeve

0201692

<https://www.phoenixcontact.com/us/products/0201692>

Insulating sleeve, color: yellow



# MACX MCR-SL-2NAM-RO-SP - Isolation amplifier



2924294

<https://www.phoenixcontact.com/us/products/2924294>

## MPS-IH GN - Insulating sleeve

0201702

<https://www.phoenixcontact.com/us/products/0201702>

Insulating sleeve, color: green



---

## MPS-IH GY - Insulating sleeve

0201728

<https://www.phoenixcontact.com/us/products/0201728>

Insulating sleeve, color: gray



# MACX MCR-SL-2NAM-RO-SP - Isolation amplifier

2924294

<https://www.phoenixcontact.com/us/products/2924294>



## MPS-IH BK - Insulating sleeve

0201731

<https://www.phoenixcontact.com/us/products/0201731>

Insulating sleeve, color: black



---

## MPS-MT - Test plugs

0201744

<https://www.phoenixcontact.com/us/products/0201744>

Test plugs, with solder connection up to 1 mm<sup>2</sup> conductor cross section, number of positions: 1, color: gray



# MACX MCR-SL-2NAM-RO-SP - Isolation amplifier



2924294

<https://www.phoenixcontact.com/us/products/2924294>

## UC-EMLP (11X9) - Plastic label

0819291

<https://www.phoenixcontact.com/us/products/0819291>



Plastic label, Sheet, white, unlabeled, can be labeled with: BLUEMARK ID COLOR, BLUEMARK ID, BLUEMARK CLED, PLOTMARK, CMS-P1-PLOTTER, mounting type: adhesive, lettering field size: 11 x 9 mm, Number of individual labels: 10

---

## UC-EMLP (11X9) YE - Plastic label

0822602

<https://www.phoenixcontact.com/us/products/0822602>



Plastic label, Sheet, yellow, unlabeled, can be labeled with: BLUEMARK ID COLOR, BLUEMARK ID, BLUEMARK CLED, PLOTMARK, CMS-P1-PLOTTER, mounting type: adhesive, lettering field size: 11 x 9 mm, Number of individual labels: 10

# MACX MCR-SL-2NAM-RO-SP - Isolation amplifier



2924294

<https://www.phoenixcontact.com/us/products/2924294>

## UC-EMLP (11X9) CUS - Plastic label

0824547

<https://www.phoenixcontact.com/us/products/0824547>

Plastic label, can be ordered: by sheet, white, labeled according to customer specifications, mounting type: adhesive, lettering field size: 11 x 9 mm



---

## UC-EMLP (11X9) YE CUS - Plastic label

0824548

<https://www.phoenixcontact.com/us/products/0824548>

Plastic label, can be ordered: by sheet, yellow, labeled according to customer specifications, mounting type: adhesive, lettering field size: 11 x 9 mm



# MACX MCR-SL-2NAM-RO-SP - Isolation amplifier



2924294

<https://www.phoenixcontact.com/us/products/2924294>

## UC-EMLP (11X9) SR - Plastic label

0828094

<https://www.phoenixcontact.com/us/products/0828094>



Plastic label, Sheet, silver, unlabeled, can be labeled with: BLUEMARK ID COLOR, BLUEMARK ID, BLUEMARK CLED, PLOTMARK, CMS-P1-PLOTTER, mounting type: adhesive, lettering field size: 11 x 9 mm, Number of individual labels: 10

---

## UC-EMLP (11X9) SR CUS - Plastic label

0828098

<https://www.phoenixcontact.com/us/products/0828098>



Plastic label, can be ordered: by sheet, silver, labeled according to customer specifications, mounting type: adhesive, lettering field size: 11 x 9 mm, Number of individual labels: 10

# MACX MCR-SL-2NAM-RO-SP - Isolation amplifier



2924294

<https://www.phoenixcontact.com/us/products/2924294>

## US-EMLP (11X9) - Plastic label

0828789

<https://www.phoenixcontact.com/us/products/0828789>



Plastic label, Card, white, unlabeled, can be labeled with: BLUEMARK ID COLOR, BLUEMARK ID, THERMOMARK PRIME, THERMOMARK CARD 2.0, THERMOMARK CARD, mounting type: adhesive, lettering field size: 11 x 9 mm, Number of individual labels: 135

---

## US-EMLP (11X9) YE - Plastic label

0828871

<https://www.phoenixcontact.com/us/products/0828871>



Plastic label, Card, yellow, unlabeled, can be labeled with: BLUEMARK ID COLOR, BLUEMARK ID, THERMOMARK PRIME, THERMOMARK CARD 2.0, THERMOMARK CARD, mounting type: adhesive, lettering field size: 11 x 9 mm, Number of individual labels: 135

# MACX MCR-SL-2NAM-RO-SP - Isolation amplifier



2924294

<https://www.phoenixcontact.com/us/products/2924294>

## US-EMLP (11X9) SR - Plastic label

0828872

<https://www.phoenixcontact.com/us/products/0828872>



Plastic label, Card, silver, unlabeled, can be labeled with: BLUEMARK ID COLOR, BLUEMARK ID, THERMOMARK PRIME, THERMOMARK CARD 2.0, THERMOMARK CARD, mounting type: adhesive, lettering field size: 11 x 9 mm, Number of individual labels: 135

---

## LS-EMLP (11X9) WH - Device marker

0831678

<https://www.phoenixcontact.com/us/products/0831678>



Device marker, Sheet, white, unlabeled, can be labeled with: TOPMARK NEO, TOPMARK LASER, mounting type: adhesive, lettering field size: 11 x 9 mm, Number of individual labels: 255



# MACX MCR-SL-2NAM-RO-SP - Isolation amplifier



2924294

<https://www.phoenixcontact.com/us/products/2924294>

## LS-EMLP (11X9) SR - Device marker

0831705

<https://www.phoenixcontact.com/us/products/0831705>

Device marker, Sheet, silver, unlabeled, can be labeled with: TOPMARK NEO, TOPMARK LASER, mounting type: adhesive, lettering field size: 11 x 9 mm, Number of individual labels: 255



---

## LS-EMLP (11X9) YE - Device marker

0831732

<https://www.phoenixcontact.com/us/products/0831732>

Device marker, Sheet, yellow, unlabeled, can be labeled with: TOPMARK NEO, TOPMARK LASER, mounting type: adhesive, lettering field size: 11 x 9 mm, Number of individual labels: 255



# MACX MCR-SL-2NAM-RO-SP - Isolation amplifier



2924294

<https://www.phoenixcontact.com/us/products/2924294>

## MACX MCR-PTB - Power and error message module

2865625

<https://www.phoenixcontact.com/us/products/2865625>



Power and fault signaling module with screw connection, including corresponding ME 17,5 TBUS 1,5/ 5-ST-3,81 GY DIN rail connector

---

## MACX MCR-PTB-SP - Power and error message module

2924184

<https://www.phoenixcontact.com/us/products/2924184>



Power and fault signaling module with Push-in connection, including corresponding ME 17,5 TBUS 1,5/ 5-ST-3,81 GY DIN rail connector

# MACX MCR-SL-2NAM-RO-SP - Isolation amplifier



2924294

<https://www.phoenixcontact.com/us/products/2924294>

## QUINT4-SYS-PS/1AC/24DC/2.5/SC - Power supply unit

2904614

<https://www.phoenixcontact.com/us/products/2904614>



Primary-switched power supply, QUINT POWER, screw connection, DIN rail mounting, supply of devices possible via the TBUS DIN rail connector, protective coating, input: single-phase, output: 24 V DC/2.5 A

---

## D-UKK 3/5 - End cover

2770024

<https://www.phoenixcontact.com/us/products/2770024>



End cover, length: 56 mm, width: 2.5 mm, height: 56 mm, color: gray

# MACX MCR-SL-2NAM-RO-SP - Isolation amplifier



2924294

<https://www.phoenixcontact.com/us/products/2924294>

## D-UKK 3/5 BU - End cover

2770105

<https://www.phoenixcontact.com/us/products/2770105>



End cover, length: 56 mm, width: 2.5 mm, height: 56 mm, color: blue

---

## UKK 5-2R/NAMUR - Component terminal block

2941662

<https://www.phoenixcontact.com/us/products/2941662>



Double-level terminal block, with preassembled resistors

# MACX MCR-SL-2NAM-RO-SP - Isolation amplifier



2924294

<https://www.phoenixcontact.com/us/products/2924294>

## SZS 0,6X3,5 - Screwdriver

1205053

<https://www.phoenixcontact.com/us/products/1205053>



Actuation tool, for ST terminal blocks, insulated, also suitable for use as a bladed screwdriver, size: 0.6 x 3.5 x 100 mm, 2-component grip, with non-slip grip

---

Phoenix Contact 2023 © - all rights reserved

<https://www.phoenixcontact.com>

Phoenix Contact USA  
586 Fulling Mill Road  
Middletown, PA 17057, United States  
(+717) 944-1300  
[info@phoenixcon.com](mailto:info@phoenixcon.com)