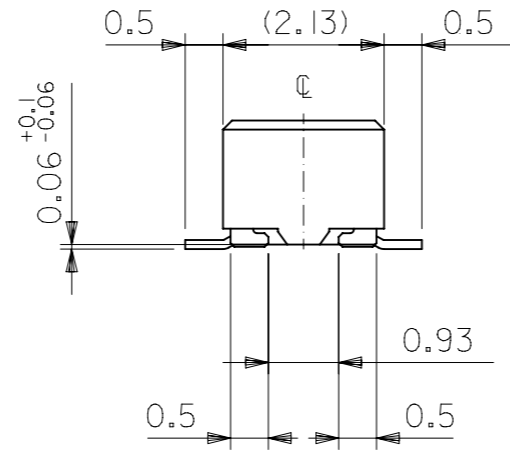
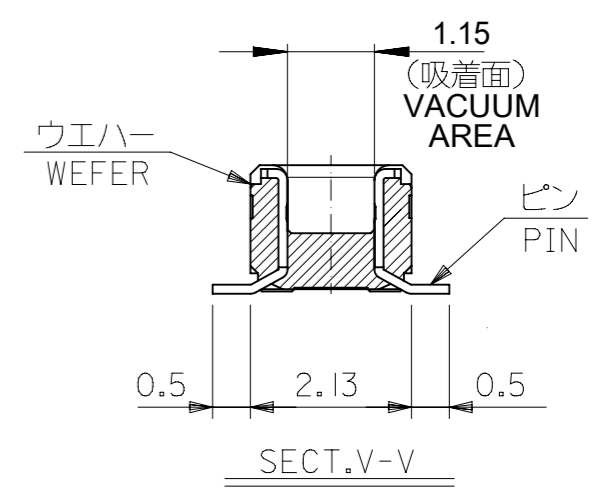


注記 NOTES:

- 使用材料 MATERIAL
 ウエハー: 液晶ポリマー (LCP) ガラス充填 UL94V-0 (黒)
 WAFER: LIQUID CRYSTAL POLYMER (GLASS FILLED)
 UL94V-0 (COLOR:BLACK)
 ピン: 黄銅 (t=0.12)
 PIN: BRASS (t=0.12)
 金具: リン青銅 (t=0.2)
 FITTING NAIL: PHOSPHOR BRONZE (t=0.2)
- メッキ仕様 PLATING
 ピン PIN
 金メッキ 0.2 マイクロメートル以上 (コンタクト部)
 GOLD 0.2MICROMETER MINIMUM (CONTACT AREA)
 金メッキ 0.4 マイクロメートル以下 (テール部)
 GOLD 0.4MICROMETER MAXIMUM (TAIL AREA)
 下地メッキ: ニッケルメッキ 1.5 マイクロメートル以上
 UNDER PLATING: NICKEL 1.5MICROMETER MINIMUM
 金具 FITTING NAIL
 錫メッキ 1.0 マイクロメートル以上
 TIN PLATING 1.0MICROMETER MINIMUM
 下地メッキ: ニッケルメッキ 1.0 マイクロメートル以上
 UNDER PLATING: NICKEL 1.0MICROMETER MINIMUM



- (全極数/2) = 偶数の場合に適用。
 APPLY FOR (CIRCUIT/2)=EVEN.
- 嵌合相手: 51338シリーズ (嵌合高さ = 2.0mm) 及び
 500913シリーズ (嵌合高さ = 2.3mm)
 MATE WITH: 51338 SERIES (HEIGHT = 2.0mm) AND
 500913 SERIES (HEIGHT = 2.3mm)
- テール平坦度は、0.08以下
 テール及び金具の平坦度は、0.1以下
 TAIL COPLANARITY TO BE 0.08MAXIMUM
 TAIL AND FITTING NAIL
 COPLANARITY TO BE 0.1MAXIMUM
- ELV 及び RoHS 適合品
 ELV AND RoHS COMPLIANT.



17.2	15.6	18.0	501745-0801	80
15.2	13.6	16.0	501745-0701	70
13.2	11.6	14.0	501745-0601	60
12.0	10.4	12.8	501745-0541	54
11.2	9.6	12.0	501745-0501	50
9.2	7.6	10.0	501745-0401	40
7.2	5.6	8.0	501745-0301	30
3.6	2.0	4.4	501745-9901	12
C	B	A	EMBOSSED PACKAGE ORDER NO. オーダー番号	CKT.
CONNECTOR SERIES No.			501745-***0	

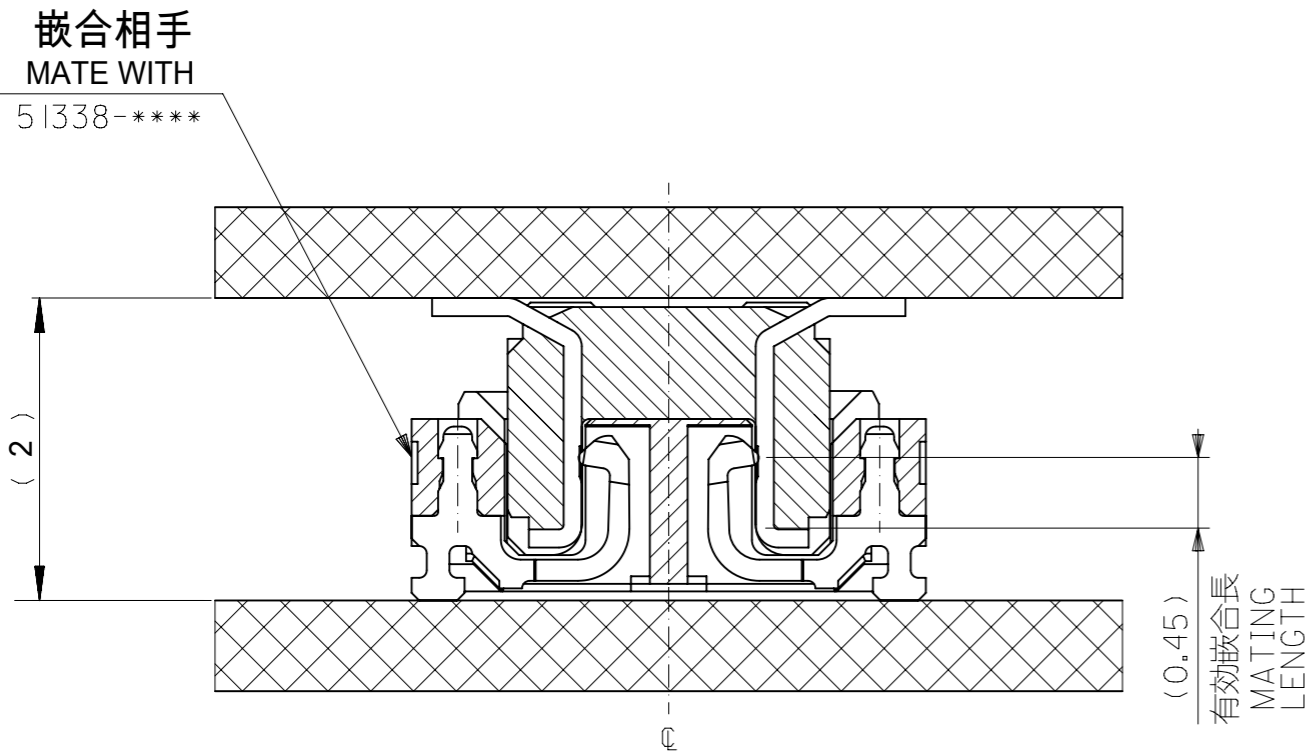
THIS DRAWING CONTAINS INFORMATION THAT IS PROPRIETARY TO MOLEX ELECTRONIC TECHNOLOGIES, LLC AND SHOULD NOT BE USED WITHOUT WRITTEN PERMISSION

DIMENSION UNITS	SCALE	CURRENT REV DESC:	molex		
mm	NTS				
GENERAL TOLERANCES (UNLESS SPECIFIED)			0.4 B-TO-B CONN. H = 2.0 / 2.3 J-BEND PLUG		
ANGULAR TOL ± 3.0°			PRODUCT CUSTOMER DRAWING		
4 PLACES	±	EC NO: 739909	DOCUMENT NUMBER		
3 PLACES	±	DRWN: RAJMOK	DOC TYPE DOC PART REVISION		
2 PLACES	±	CHK'D: HSHIMUYAMA	SD-501745-001		
1 PLACE	±	APPR: YNAITO	PSD 001 J		
0 PLACES	±	INITIAL REVISION:	SHEET NUMBER		
DRAFT WHERE APPLICABLE MUST REMAIN WITHIN DIMENSIONS			2007/03/06	1 OF 2	
THIRD ANGLE PROJECTION			2007/03/06		
DRAWING			SERIES	MATERIAL NUMBER	CUSTOMER
A3-SIZE			501745	SEE TABLE	GENERAL MARKET

GENERAL TOLERANCES (UNLESS SPECIFIED)

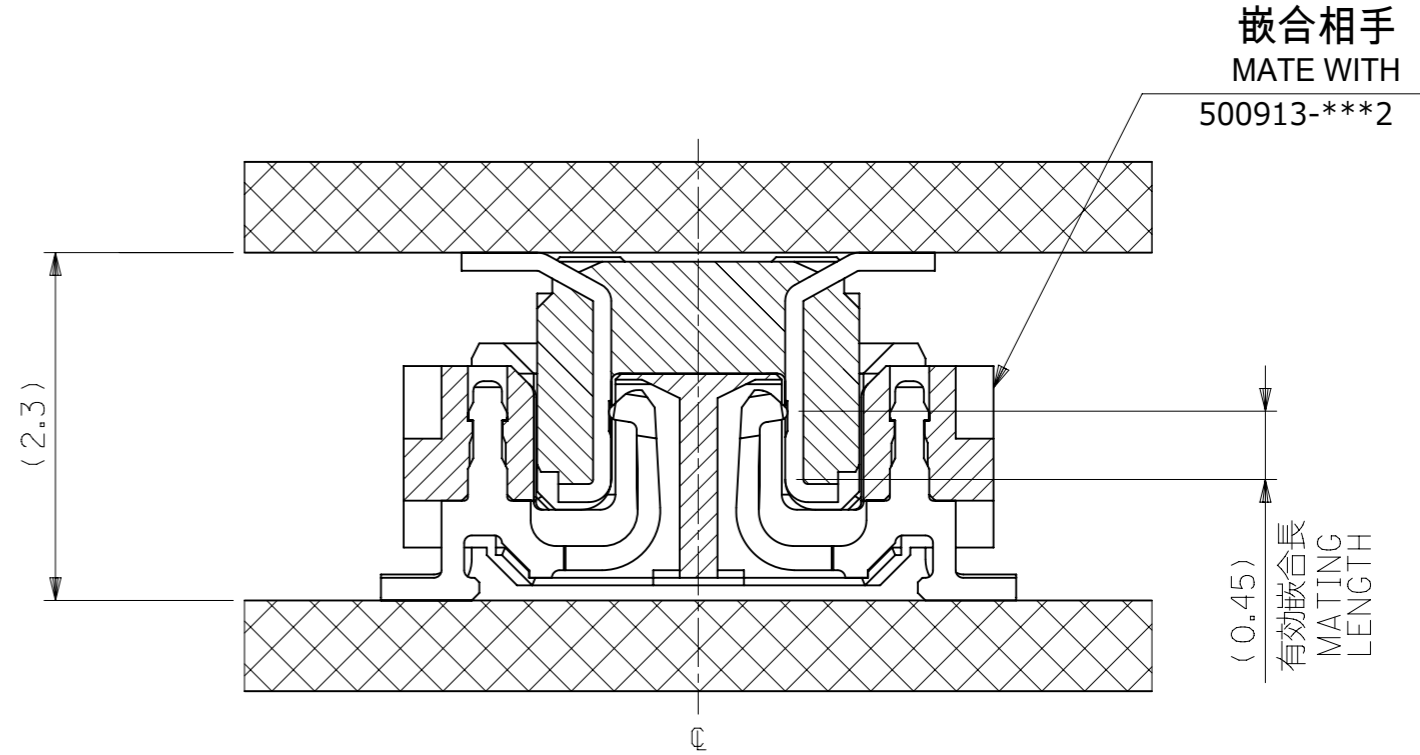
10 UNDER	±0.2
10 OVER 30 UNDER	±0.25
30 OVER	±0.3

MATE : 501745 WITH 51338

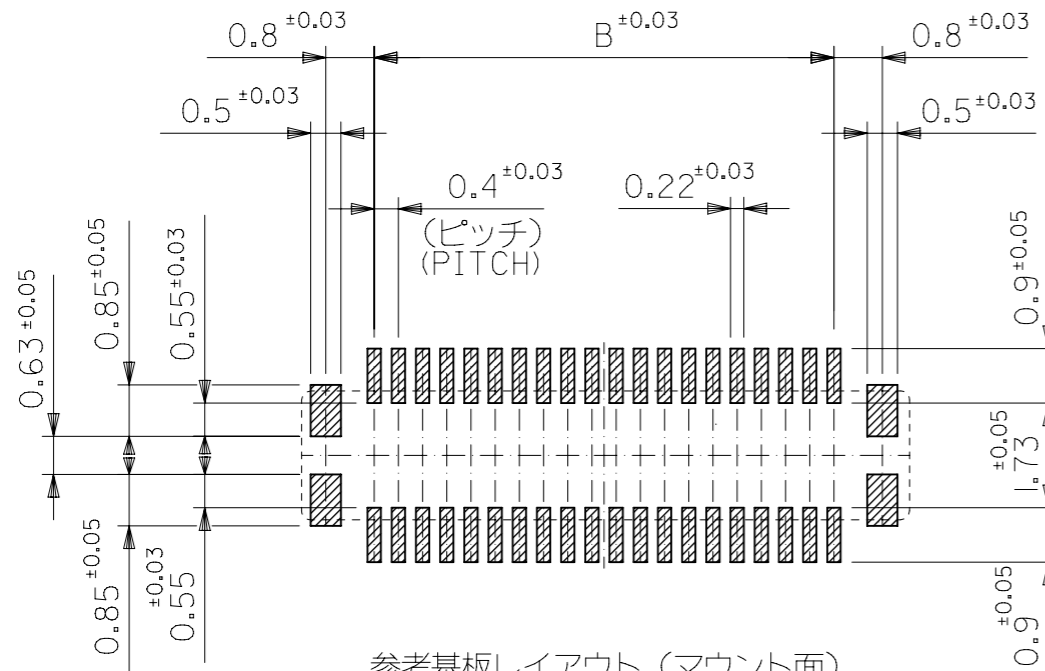


嵌合断面図 (参考)
MATED DRAWING (REFERENCE)

MATE : 501745 WITH 500913



嵌合断面図 (参考)
MATED DRAWING (REFERENCE)



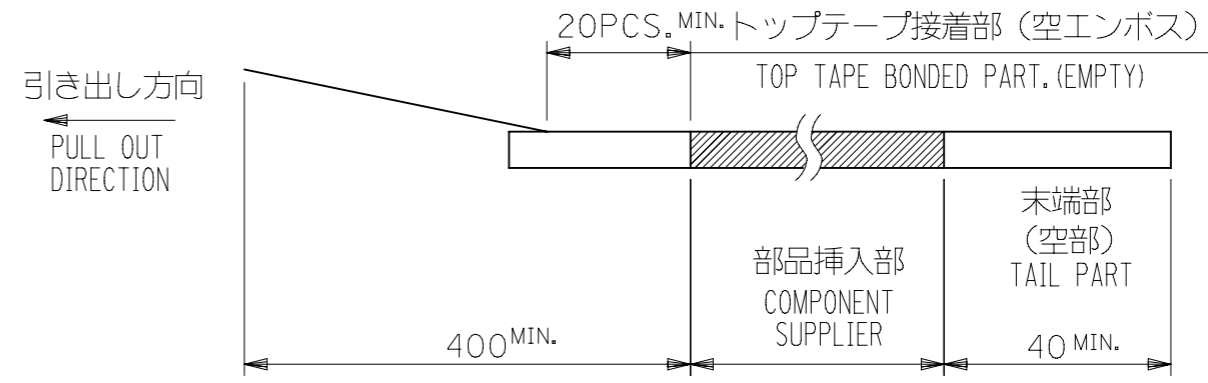
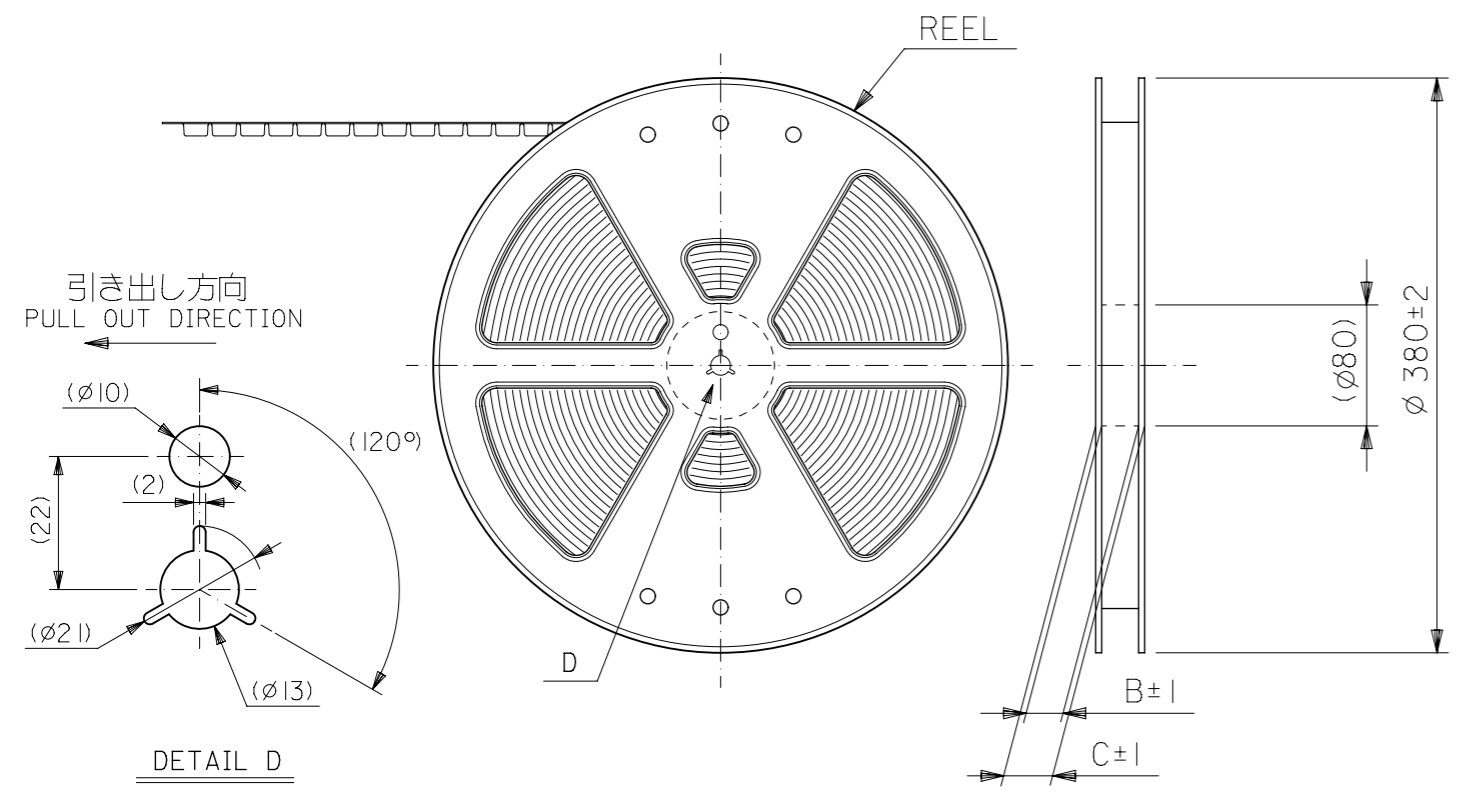
参考基板レイアウト (マウント面)
P.C.BOARD PATTERN DIMENSION.
(REFERENCE)
(MOUNTING AREA)

GENERAL TOLERANCES (UNLESS SPECIFIED)	
10 ^{UNDER}	±0.2
10 ^{OVER} 30 ^{UNDER}	±0.25
30 ^{OVER}	±0.3

THIS DRAWING CONTAINS INFORMATION THAT IS PROPRIETARY TO MOLEX ELECTRONIC TECHNOLOGIES, LLC AND SHOULD NOT BE USED WITHOUT WRITTEN PERMISSION		CONNECTOR SERIES No. 501745-***0	
DIMENSION UNITS mm	SCALE NTS	CURRENT REV DESC.	
GENERAL TOLERANCES (UNLESS SPECIFIED)		molex	
ANGULAR TOL ± 3.0°		0.4 B-TO-B CONN. H = 2.0 / 2.3 J-BEND PLUG	
4 PLACES ±	EC NO: 739909	PRODUCT CUSTOMER DRAWING	
3 PLACES ±	DRWN: RAJMOK 2023/02/21	DOCUMENT NUMBER	
2 PLACES ±	CHK'D: HSHIMUYAMA 2023/02/23	SD-501745-001	
1 PLACE ±	APPR: YNAITO 2023/02/23	DOC TYPE DOC PART REVISION	
0 PLACES ±	INITIAL REVISION:	PSD 001 J	
DRAFT WHERE APPLICABLE MUST REMAIN WITHIN DIMENSIONS		DRWN: KSAITO01 2007/03/06	MATERIAL NUMBER
THIRD ANGLE PROJECTION		APPR: NUKITA 2007/03/06	CUSTOMER
DRAWING		SERIES	SHEET NUMBER
A3-SIZE		501745	2 OF 2
SEE SHEET-1		GENERAL MARKET	

NOTES

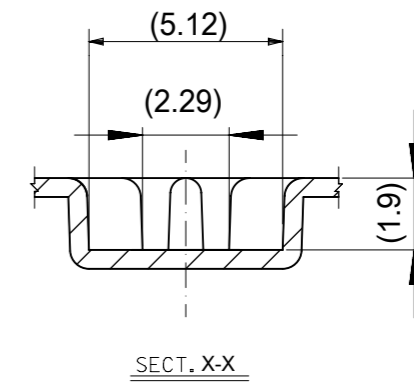
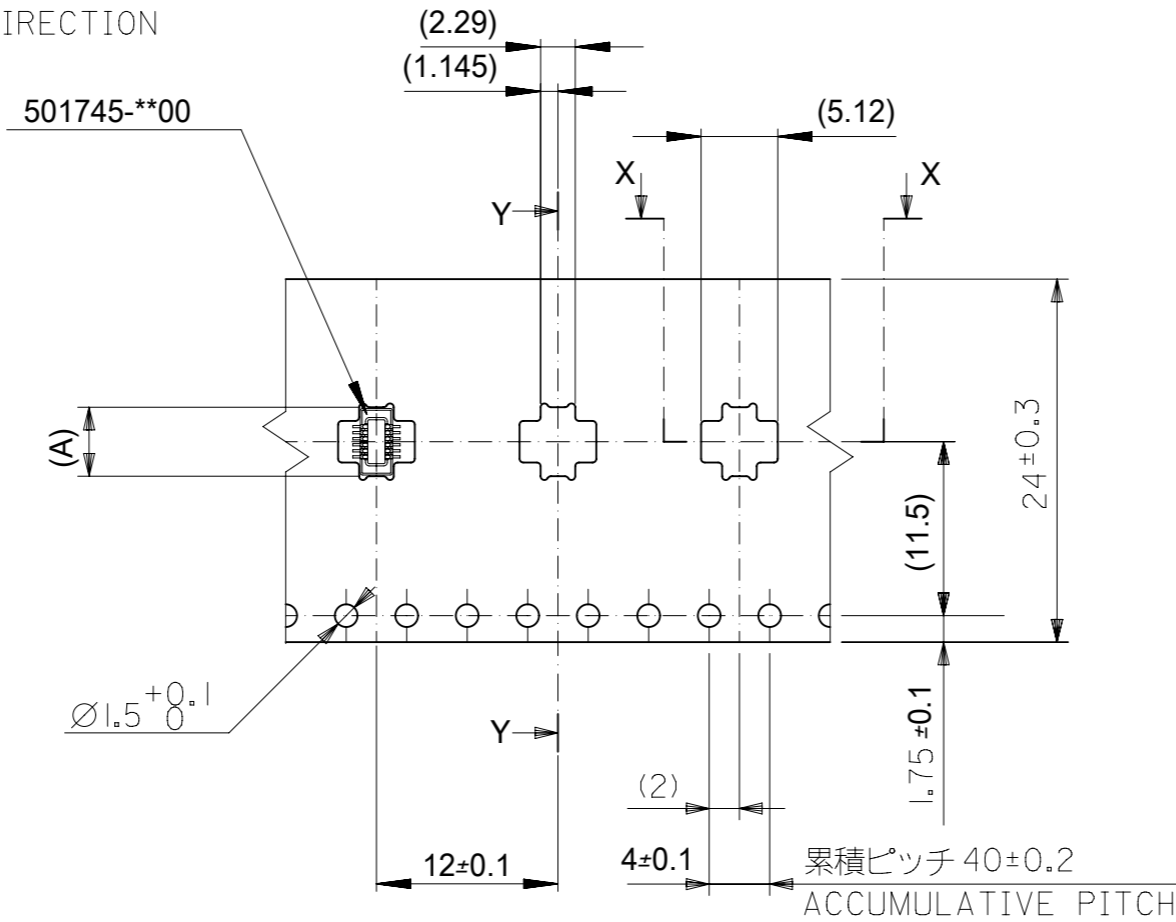
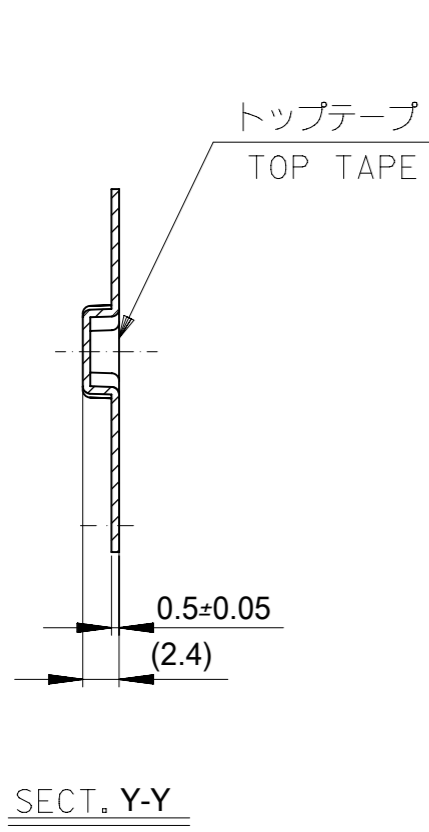
- 製品詳細寸法については製品単体図面を参照下さい。
DETAIL DIMENSIONS, SEE PRODUCT DRAWING.
- 梱包数量：2500個/リール
NUMBER OF CONNECTORS : 2500PCS/REEL
- リードテープ長さ LEAD TAPE LENGTH



- 材料 MATERIAL
 キャリアテープ (CARRIER TAPE) : ポリスチレン (POLYSTYRENE)
 トップテープ (TOP TAPE) : PET
 リール (REEL) : ポリスチレン (PS) <リサイクル材を含む>
 POLYSTYRENE (PS) <RECYCLE MATERIAL CONTAINED>
- ELV 及び RoHS 適合品
 ELV AND RoHS COMPLIANT.

THIS DRAWING CONTAINS INFORMATION THAT IS PROPRIETARY TO MOLEX ELECTRONIC TECHNOLOGIES, LLC AND SHOULD NOT BE USED WITHOUT WRITTEN PERMISSION																																												
<table border="1"> <tr> <th>DIMENSION UNITS</th> <th>SCALE</th> </tr> <tr> <td>mm</td> <td>NTS</td> </tr> </table>	DIMENSION UNITS	SCALE	mm	NTS	<table border="1"> <tr> <th colspan="4">CURRENT REV DESC:</th> </tr> <tr> <td>EC NO:</td> <td>638555</td> <td>DRWN:</td> <td>BKBAE</td> </tr> <tr> <td></td> <td></td> <td></td> <td>2020/05/15</td> </tr> <tr> <td></td> <td></td> <td>CHK'D:</td> <td>SHCHU</td> </tr> <tr> <td></td> <td></td> <td></td> <td>2020/05/29</td> </tr> <tr> <td></td> <td></td> <td>APPR:</td> <td>SHCHU</td> </tr> <tr> <td></td> <td></td> <td></td> <td>2020/06/01</td> </tr> </table>	CURRENT REV DESC:				EC NO:	638555	DRWN:	BKBAE				2020/05/15			CHK'D:	SHCHU				2020/05/29			APPR:	SHCHU				2020/06/01											
DIMENSION UNITS	SCALE																																											
mm	NTS																																											
CURRENT REV DESC:																																												
EC NO:	638555	DRWN:	BKBAE																																									
			2020/05/15																																									
		CHK'D:	SHCHU																																									
			2020/05/29																																									
		APPR:	SHCHU																																									
			2020/06/01																																									
<table border="1"> <tr> <th colspan="3">GENERAL TOLERANCES (UNLESS SPECIFIED)</th> </tr> <tr> <td>4 PLACES</td> <td>±</td> <td>0.2</td> </tr> <tr> <td>3 PLACES</td> <td>±</td> <td>0.25</td> </tr> <tr> <td>2 PLACES</td> <td>±</td> <td>0.3</td> </tr> <tr> <td>1 PLACE</td> <td>±</td> <td>0.4</td> </tr> <tr> <td>0 PLACES</td> <td>±</td> <td>0.5</td> </tr> </table>		GENERAL TOLERANCES (UNLESS SPECIFIED)			4 PLACES	±	0.2	3 PLACES	±	0.25	2 PLACES	±	0.3	1 PLACE	±	0.4	0 PLACES	±	0.5	<table border="1"> <tr> <th colspan="4">GENERAL TOLERANCES (UNLESS SPECIFIED)</th> </tr> <tr> <td>4 PLACES</td> <td>±</td> <td>0.008</td> <td>INCH</td> </tr> <tr> <td>3 PLACES</td> <td>±</td> <td>0.012</td> <td>INCH</td> </tr> <tr> <td>2 PLACES</td> <td>±</td> <td>0.016</td> <td>INCH</td> </tr> <tr> <td>1 PLACE</td> <td>±</td> <td>0.020</td> <td>INCH</td> </tr> <tr> <td>0 PLACES</td> <td>±</td> <td>0.025</td> <td>INCH</td> </tr> </table>	GENERAL TOLERANCES (UNLESS SPECIFIED)				4 PLACES	±	0.008	INCH	3 PLACES	±	0.012	INCH	2 PLACES	±	0.016	INCH	1 PLACE	±	0.020	INCH	0 PLACES	±	0.025	INCH
GENERAL TOLERANCES (UNLESS SPECIFIED)																																												
4 PLACES	±	0.2																																										
3 PLACES	±	0.25																																										
2 PLACES	±	0.3																																										
1 PLACE	±	0.4																																										
0 PLACES	±	0.5																																										
GENERAL TOLERANCES (UNLESS SPECIFIED)																																												
4 PLACES	±	0.008	INCH																																									
3 PLACES	±	0.012	INCH																																									
2 PLACES	±	0.016	INCH																																									
1 PLACE	±	0.020	INCH																																									
0 PLACES	±	0.025	INCH																																									
<table border="1"> <tr> <td>10^{UNDER}</td> <td>±0.2</td> </tr> <tr> <td>10^{OVER} 30^{UNDER}</td> <td>±0.25</td> </tr> <tr> <td>30^{OVER}</td> <td>±0.3</td> </tr> </table>		10 ^{UNDER}	±0.2	10 ^{OVER} 30 ^{UNDER}	±0.25	30 ^{OVER}	±0.3	<table border="1"> <tr> <td>ANGULAR TOL</td> <td>± 3.0°</td> </tr> <tr> <td colspan="2">DRAFT WHERE APPLICABLE MUST REMAIN WITHIN DIMENSIONS</td> </tr> </table>	ANGULAR TOL	± 3.0°	DRAFT WHERE APPLICABLE MUST REMAIN WITHIN DIMENSIONS																																	
10 ^{UNDER}	±0.2																																											
10 ^{OVER} 30 ^{UNDER}	±0.25																																											
30 ^{OVER}	±0.3																																											
ANGULAR TOL	± 3.0°																																											
DRAFT WHERE APPLICABLE MUST REMAIN WITHIN DIMENSIONS																																												
<table border="1"> <tr> <td>THIRD ANGLE PROJECTION</td> <td>DRAWING</td> <td>SERIES</td> <td>MATERIAL NUMBER</td> <td>CUSTOMER</td> <td>SHEET NUMBER</td> </tr> <tr> <td></td> <td>A3-SIZE</td> <td>501745</td> <td>SEE CHART</td> <td>GENERAL MARKET</td> <td>1 OF 4</td> </tr> </table>		THIRD ANGLE PROJECTION	DRAWING	SERIES	MATERIAL NUMBER	CUSTOMER	SHEET NUMBER		A3-SIZE	501745	SEE CHART	GENERAL MARKET	1 OF 4	<table border="1"> <tr> <td colspan="3">molex</td> </tr> <tr> <td colspan="3">0.4 B-TO-B CONN. H = 2.0 / 2.3 J-BEND PLUG</td> </tr> <tr> <td colspan="3">PRODUCT CUSTOMER DRAWING</td> </tr> <tr> <td>DOCUMENT NUMBER</td> <td>DOC TYPE</td> <td>DOC PART</td> <td>REVISION</td> </tr> <tr> <td>SD-501745-002</td> <td>PSD</td> <td>001</td> <td>F</td> </tr> </table>	molex			0.4 B-TO-B CONN. H = 2.0 / 2.3 J-BEND PLUG			PRODUCT CUSTOMER DRAWING			DOCUMENT NUMBER	DOC TYPE	DOC PART	REVISION	SD-501745-002	PSD	001	F													
THIRD ANGLE PROJECTION	DRAWING	SERIES	MATERIAL NUMBER	CUSTOMER	SHEET NUMBER																																							
	A3-SIZE	501745	SEE CHART	GENERAL MARKET	1 OF 4																																							
molex																																												
0.4 B-TO-B CONN. H = 2.0 / 2.3 J-BEND PLUG																																												
PRODUCT CUSTOMER DRAWING																																												
DOCUMENT NUMBER	DOC TYPE	DOC PART	REVISION																																									
SD-501745-002	PSD	001	F																																									

引き出し方向
PULL OUT DIRECTION



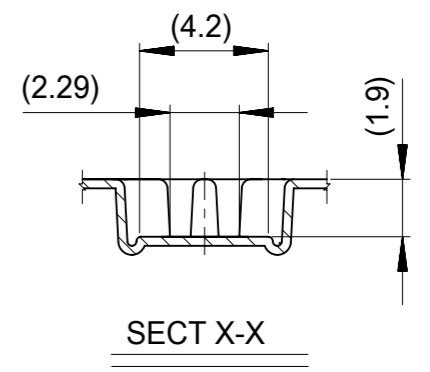
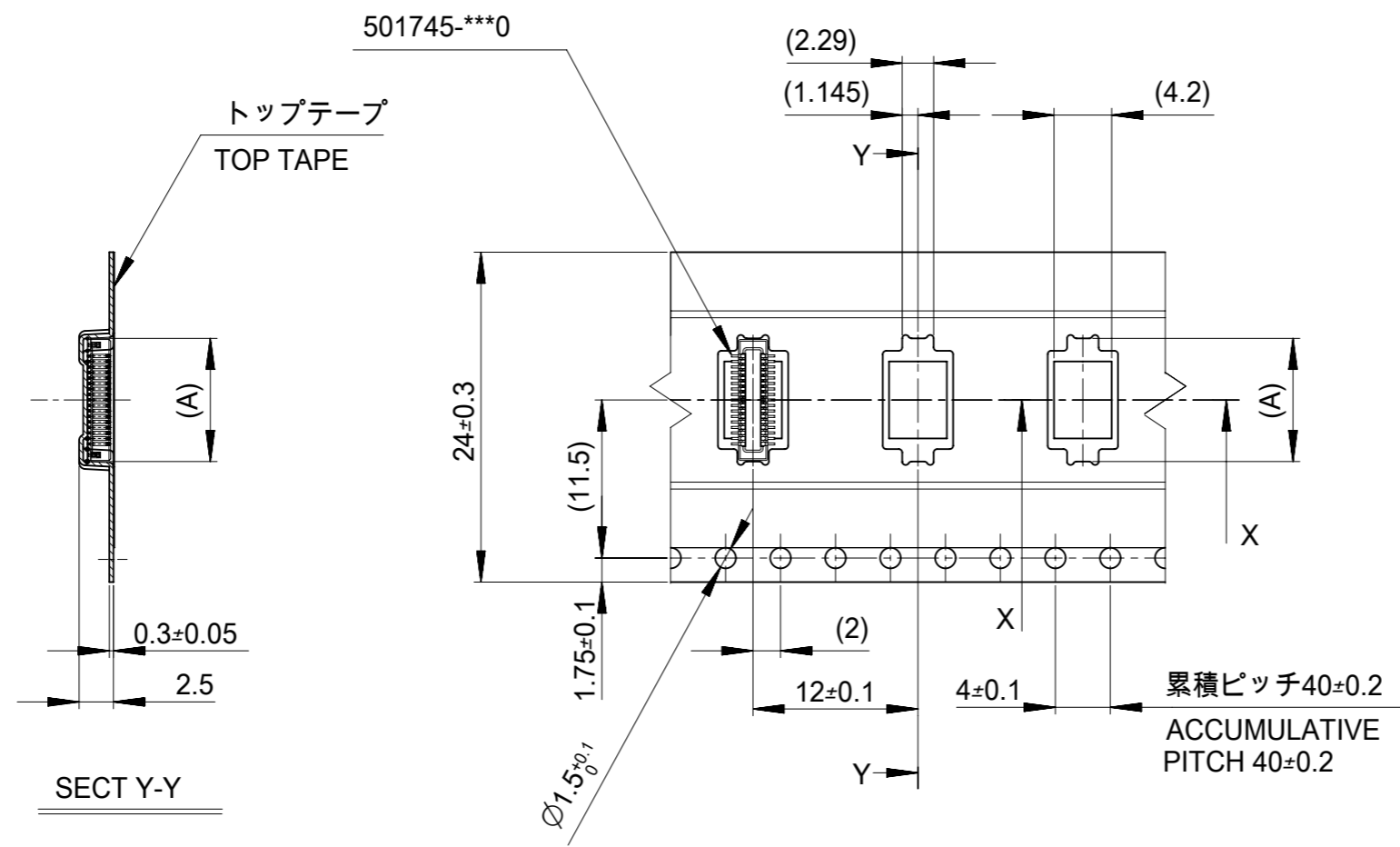
注記)製品がポケット内に問題なく収まること。
NOTE. Pocket should contain product smoothly.

24	29.4	25.4	4.56	501745-9901	12
キャリアテープ幅 CARRIER TAPE WIDTH	C	B	(A)	オーダー番号 ORDER NO.	極数 CKT.
CONNECTOR SERIES No.				501745-***0	

THIS DRAWING CONTAINS INFORMATION THAT IS PROPRIETARY TO MOLEX ELECTRONIC TECHNOLOGIES, LLC AND SHOULD NOT BE USED WITHOUT WRITTEN PERMISSION					
DIMENSION UNITS		SCALE		CURRENT REV DESC:	
mm	NTS				
GENERAL TOLERANCES (UNLESS SPECIFIED)					
		MM	INCH		
4 PLACES	±			EC NO: 638555	
3 PLACES	±			DRWN: BKBAE 2020/05/15	
2 PLACES	±			CHK'D: SHCHU 2020/05/29	
1 PLACE	±			APPR: SHCHU 2020/06/01	
0 PLACES	±			INITIAL REVISION:	
		ANGULAR TOL ± 3.0°		DRWN: K.SAITO 2007/03/01	
		DRAFT WHERE APPLICABLE MUST REMAIN WITHIN DIMENSIONS		APPR: N.UKITA 2007/03/01	
		THIRD ANGLE PROJECTION	DRAWING	SERIES	MATERIAL NUMBER
			A3-SIZE	501745	SEE CHART
		CUSTOMER	SHEET NUMBER		
		GENERAL MARKET	2 OF 4		

GENERAL TOLERANCES (UNLESS SPECIFIED)		
10 ^{UNDER}		±0.2
10 ^{OVER}	30 ^{UNDER}	±0.25
30 ^{OVER}		±0.3

引き出し方向
PULL OUT
DIRECTION



24	29.4	25.4	14.16	501745-0601	60
			12.96	501745-0541	54
			12.16	501745-0501	50
			10.16	501745-0401	40
			8.16	501745-0301	30
キャリアテープ幅 CARRIER TAPE WIDTH			C	B	(A)
			オーダー番号 ORDER NO.	極数 CKT.	

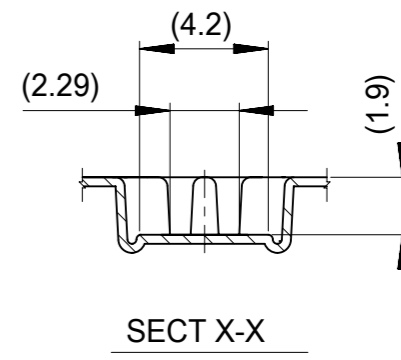
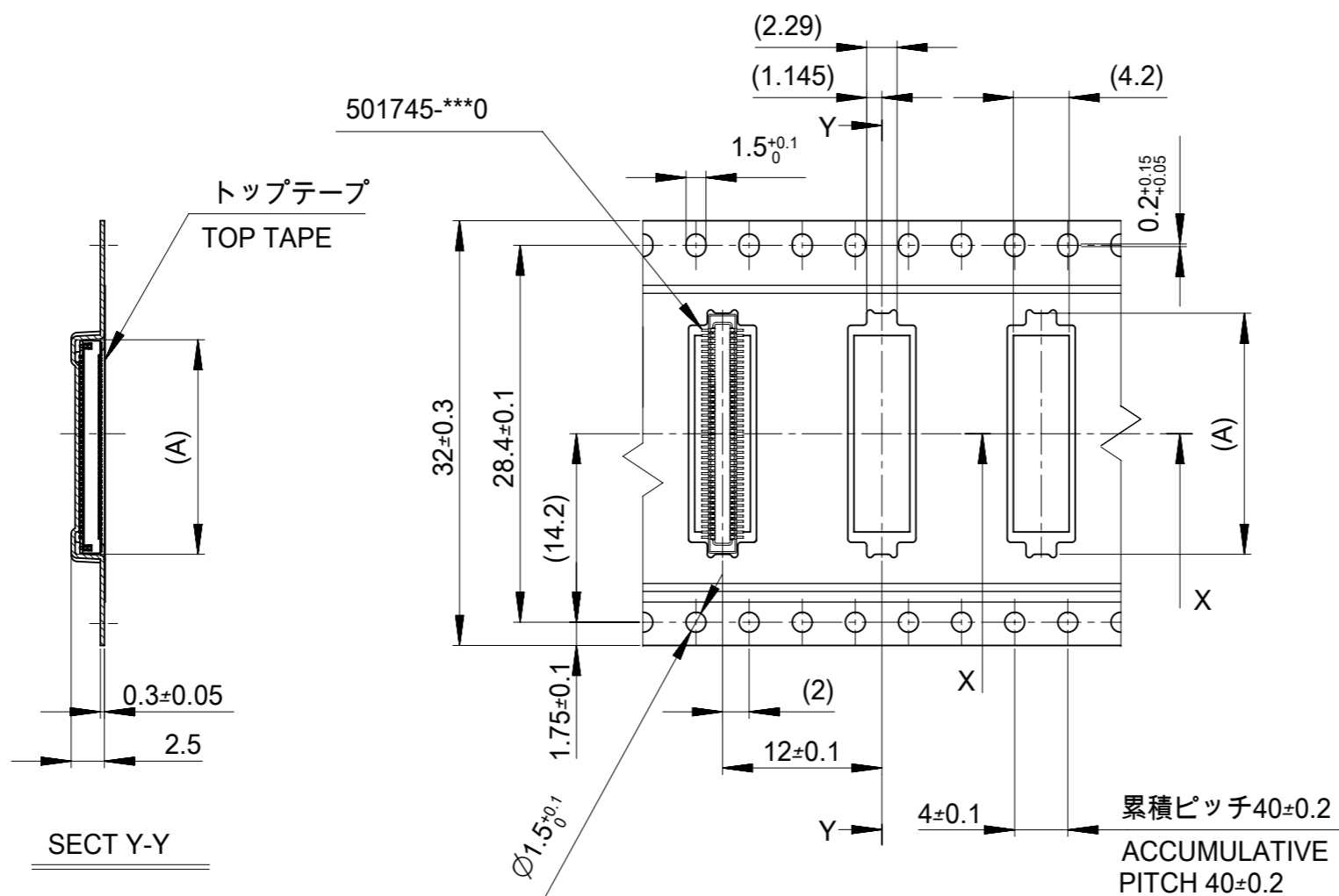
CONNECTOR SERIES No. 501745-***0

THIS DRAWING CONTAINS INFORMATION THAT IS PROPRIETARY TO MOLEX ELECTRONIC TECHNOLOGIES, LLC AND SHOULD NOT BE USED WITHOUT WRITTEN PERMISSION

DIMENSION UNITS	SCALE	CURRENT REV DESC:	
mm	NTS		
GENERAL TOLERANCES (UNLESS SPECIFIED)		molex	
		0.4 B-TO-B CONN. H = 2.0 / 2.3 J-BEND PLUG	
		PRODUCT CUSTOMER DRAWING	
		DOCUMENT NUMBER	DOC TYPE DOC PART REVISION
		SD-501745-002	PSD 001 F
		MATERIAL NUMBER	CUSTOMER
		SEE CHART	GENERAL MARKET
		DRAWING	SHEET NUMBER
		A3-SIZE	3 OF 4

GENERAL TOLERANCES (UNLESS SPECIFIED)		
10 ^{UNDER}		±0.2
10 ^{OVER}	30 ^{UNDER}	±0.25
30 ^{OVER}		±0.3

引き出し方向
PULL OUT
DIRECTION



SECT Y-Y

32	37.4	33.4	18.16	501745-0801	80
			16.16	501745-0701	70
キャリアテープ幅 CARRIER TAPE WIDTH	C	B	(A)	オーダー番号 ORDER NO.	極数 CKT.
CONNECTOR SERIES No.					501745-***0

THIS DRAWING CONTAINS INFORMATION THAT IS PROPRIETARY TO MOLEX ELECTRONIC TECHNOLOGIES, LLC AND SHOULD NOT BE USED WITHOUT WRITTEN PERMISSION					
DIMENSION UNITS		SCALE		CURRENT REV DESC:	
mm	NTS				
GENERAL TOLERANCES (UNLESS SPECIFIED)					
		MM	INCH		
4 PLACES	±			EC NO: 638555	
3 PLACES	±			DRWN: BKBAE 2020/05/15	
2 PLACES	±			CHK'D: SHCHU 2020/05/29	
1 PLACE	±			APPR: SHCHU 2020/06/01	
0 PLACES	±			INITIAL REVISION:	
		ANGULAR TOL ± 3.0°		DRWN: K.SAITO 2007/03/01	
		DRAFT WHERE APPLICABLE MUST REMAIN WITHIN DIMENSIONS		APPR: N.UKITA 2007/03/01	
		THIRD ANGLE PROJECTION		DRAWING	
		A3-SIZE		SERIES	
		501745		MATERIAL NUMBER	
		SEE CHART		CUSTOMER	
		GENERAL MARKET		SHEET NUMBER	
		4 OF 4			

GENERAL TOLERANCES (UNLESS SPECIFIED)		
10 ^{UNDER}		±0.2
10 ^{OVER}	30 ^{UNDER}	±0.25
30 ^{OVER}		±0.3