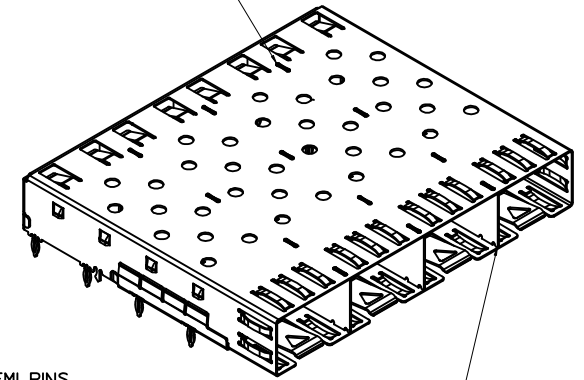
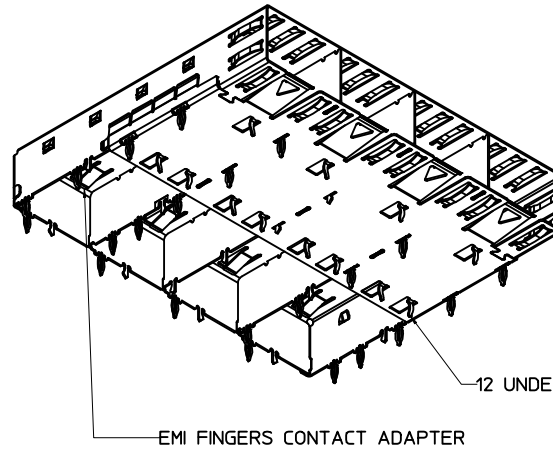
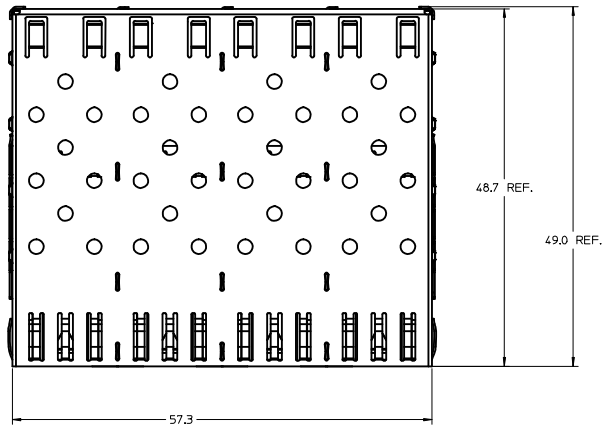
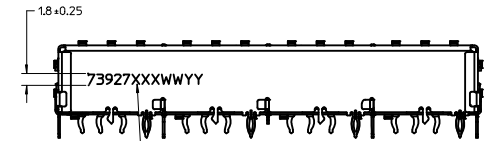
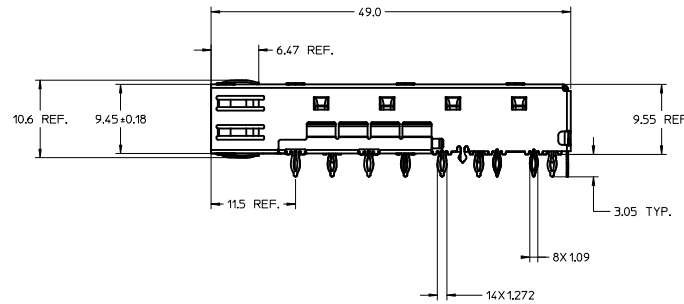
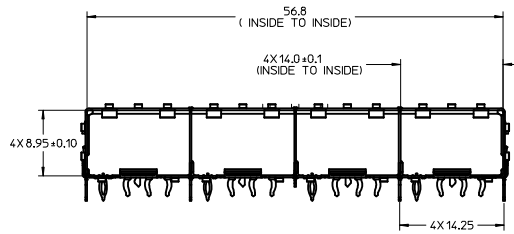


MM 3D MODEL: TM-73927-0470



DIMENSIONS OF EACH INNER CAGE DESIGNED TO FUNCTION WITH SMALL FORM-FACTOR PLUGGABLE (SFP) TRANSCEIVER



PART NO. AND WEEK/YEAR DATE CODE TO BE PRINTED ON BACK OF COMPLETED CAGE ASSEMBLY APPROXIMATELY AS SHOWN. SEE TABLE BELOW FOR DATE CODE INFORMATION.

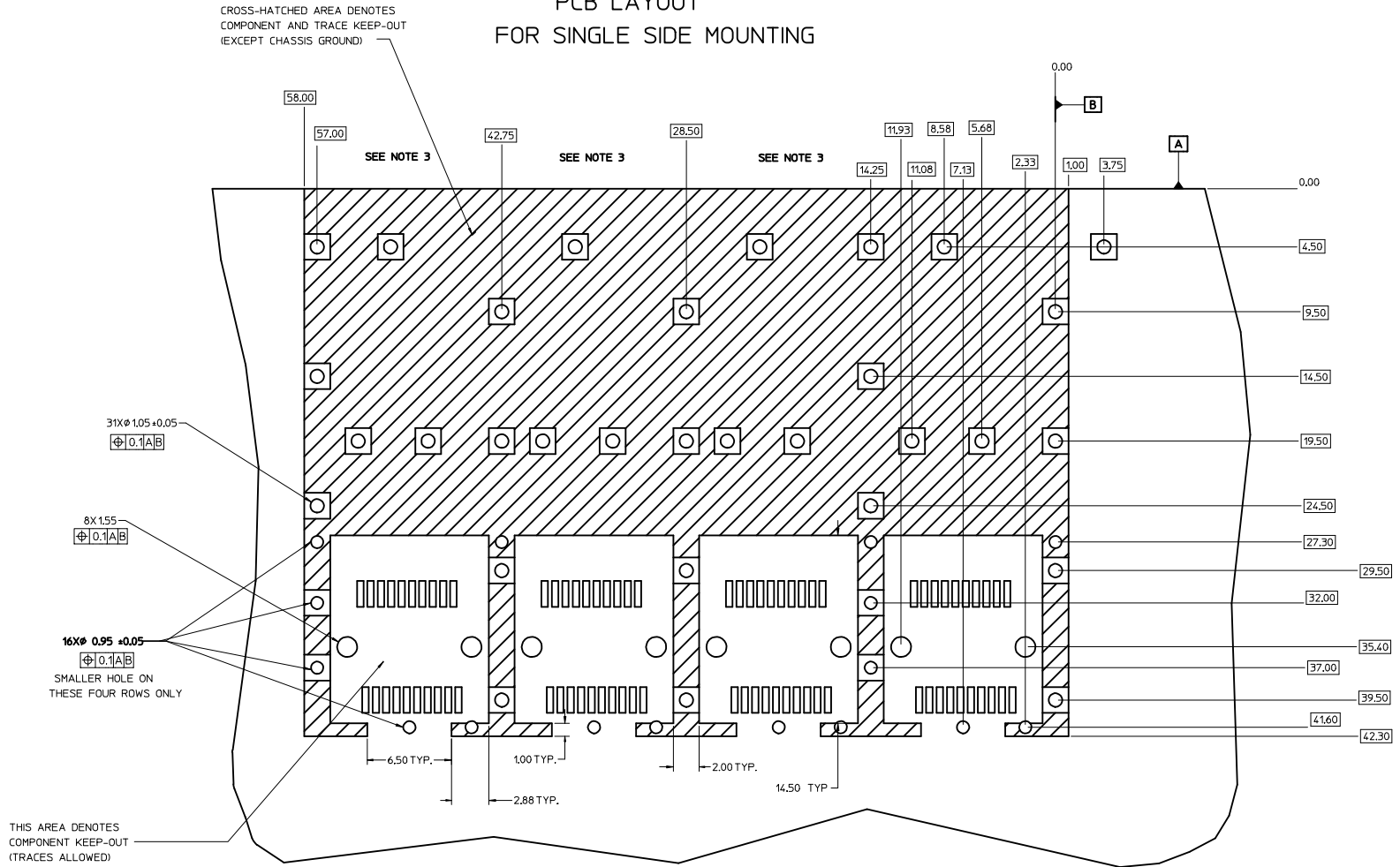
WEEK/YEAR DATE CODE TABLE	
WW	01 THRU 52 OR 53 EXAMPLE: 01 = FIRST WEEK OF YEAR 52 = LAST WEEK OF YEAR
YY	15, 16, 17 ETC. EXAMPLE: YEAR 2015 = 15

NOTES:

- PRESS FIT LEGS 3.05 MM LONG
1.57 MM MINIMUM PCB THICKNESS FOR SINGLE SIDED USE.
2.25 MM MINIMUM PCB THICKNESS FOR BELLY TO BELLY USE.
- MATERIAL: STAINLESS STEEL
- NO RoHS EXEMPTIONS

SEE REVISION TABLE EC NO: CPG2016-1266 DRAWN: THSU CHKD: APPROVED: RCHEN08	QUALITY SYMBOLS ▽=0 ▽=0 ▽=0	GENERAL TOLERANCES (UNLESS SPECIFIED)		DIMENSION STYLE		SCALE 3:1	DESIGN UNITS METRIC	THIRD ANGLE PROJECTION
		mm	INCH	MM ONLY	DATE			
		4 PLACES	+	---	+	---		
		3 PLACES	+	---	+	---		
		2 PLACES	±	0.13	+	---		
		1 PLACE	±	0.25	+	---		
		0 PLACE	±		+	---		
		ANGULAR ± 1 °						
		DRAFT WHERE APPLICABLE MUST REMAIN WITHIN DIMENSIONS						
		DRAWN BY: THSU		DATE: 2015/06/23		TITLE: 1X4 SFP GAGED CAGE PRESS FIT 3.05MM STAINLESS STEEL		
		CHECKED BY:		DATE:				
		APPROVED BY: RCHEN08		DATE: 2015/09/22				
		MATERIAL NO: 739270470		DOCUMENT NO: SD-73927-0470				
		SIZE: D		THIS DRAWING CONTAINS INFORMATION THAT IS PROPRIETARY TO MOLEX INCORPORATED AND SHOULD NOT BE USED WITHOUT WRITTEN PERMISSION				SHEET NO. 1 OF 5

PCB LAYOUT FOR SINGLE SIDE MOUNTING



NOTES:

1. PADS AND VIAS GO TO CHASSIS GROUND, (34 PLACES).
RECOMMENDED PADS TO BE 2mm SQUARE
2. PLATING OPTIONAL FOR THROUGH HOLES, (12 PLACES).
3. RECOMMENDED PLATING INCLUDES HASL, IMMERSION (GOLD, SILVER, OR TIN), AND OSP.
4. HOLE PATTERN REPEATS FOR EACH PORT,
SPACING BETWEEN PORTS IS 14.25 MM
5. CONNECTOR PAD LAYOUT PER SFP MSA. WILL ACCOMODATE MOLEX
CONNECTOR SERIES 74441 OR EQUIVALENT.

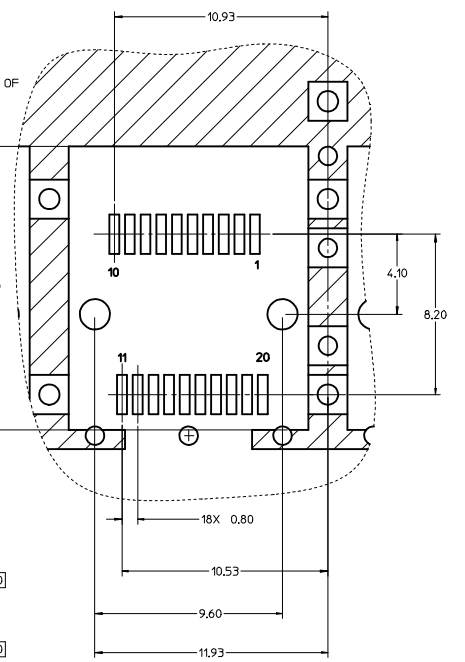
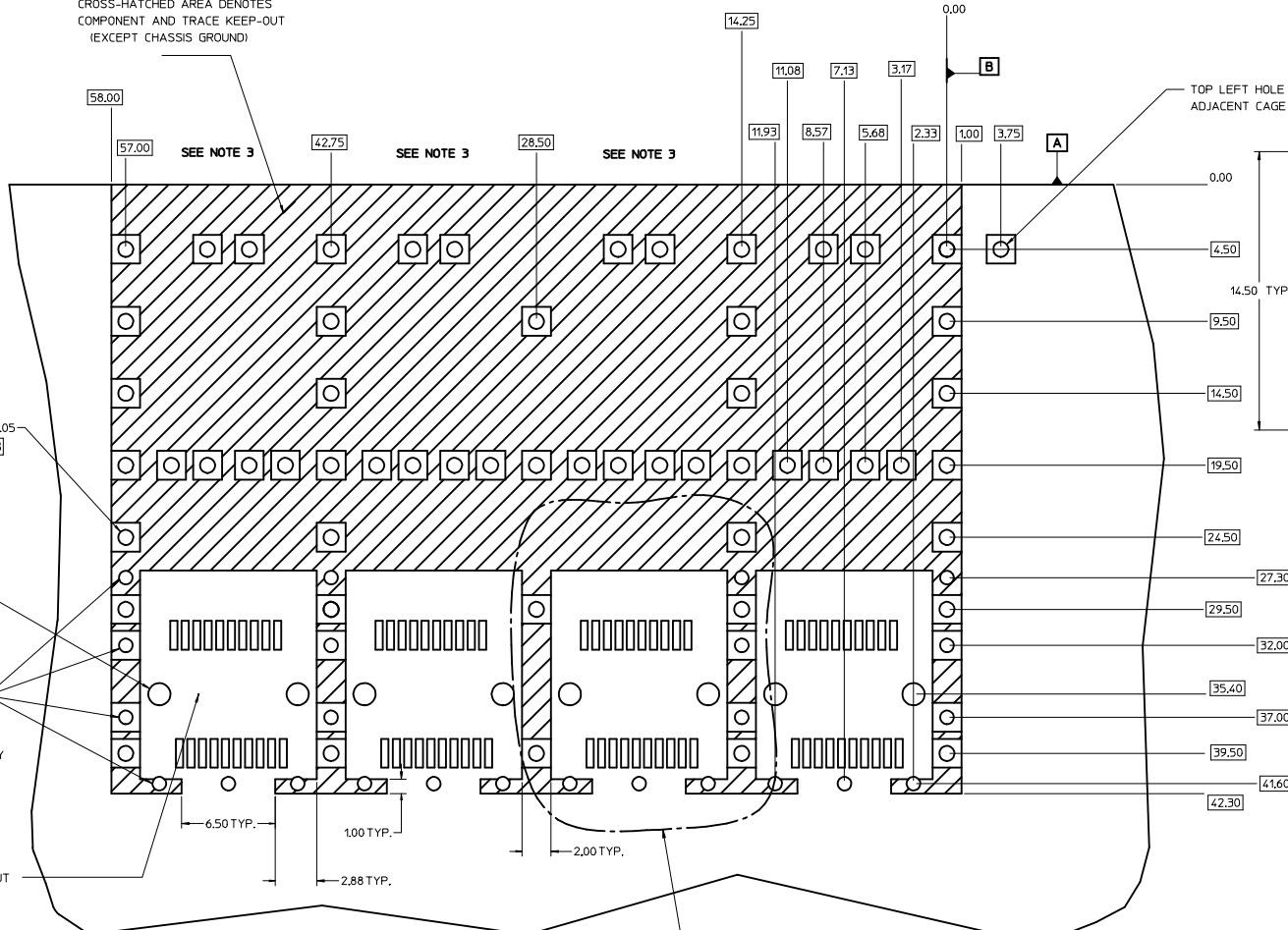
SEE REVISION TABLE EC NO: CPG2016-1266 DRAWN: THSU 2015/06/23 CHKD: APPR: RCHEN08 2015/09/22 REV: A	QUALITY SYMBOLS ∇=0 ∇=0 ∇=0	GENERAL TOLERANCES (UNLESS SPECIFIED) <table border="1" style="width: 100%; border-collapse: collapse;"> <thead> <tr> <th></th> <th>mm</th> <th>INCH</th> </tr> </thead> <tbody> <tr> <td>4 PLACES</td> <td>± 0.13</td> <td>± 0.005</td> </tr> <tr> <td>3 PLACES</td> <td>± 0.15</td> <td>± 0.006</td> </tr> <tr> <td>2 PLACES</td> <td>± 0.20</td> <td>± 0.008</td> </tr> <tr> <td>1 PLACE</td> <td>± 0.25</td> <td>± 0.010</td> </tr> <tr> <td>0 PLACE</td> <td>± 0.30</td> <td>± 0.012</td> </tr> </tbody> </table> ANGULAR ± 1 ° DRAFT WHERE APPLICABLE MUST REMAIN WITHIN DIMENSIONS		mm	INCH	4 PLACES	± 0.13	± 0.005	3 PLACES	± 0.15	± 0.006	2 PLACES	± 0.20	± 0.008	1 PLACE	± 0.25	± 0.010	0 PLACE	± 0.30	± 0.012	DIMENSION STYLE MM ONLY	SCALE 6:1	DESIGN UNITS METRIC	THIRD ANGLE PROJECTION
		mm	INCH																					
	4 PLACES	± 0.13	± 0.005																					
	3 PLACES	± 0.15	± 0.006																					
2 PLACES	± 0.20	± 0.008																						
1 PLACE	± 0.25	± 0.010																						
0 PLACE	± 0.30	± 0.012																						
				DRAWN BY: THSU CHECKED BY:	TITLE 1X4 SFP GAGED CAGE PRESS FIT 3,05MM STAINLESS STEEL																			
				APPROVED BY: RCHEN08 DATE: 2015/09/22	MATERIAL NO. 739270470																			
				DOCUMENT NO. SD-73927-0470		SHEET NO. 2 OF 5																		

THIS DRAWING CONTAINS INFORMATION THAT IS PROPRIETARY TO MOLEX INCORPORATED AND SHOULD NOT BE USED WITHOUT WRITTEN PERMISSION

PCB LAYOUT FOR BELLY TO BELLY MOUNTING

HOST CONNECTOR DETAIL

CROSS-HATCHED AREA DENOTES COMPONENT AND TRACE KEEP-OUT (EXCEPT CHASSIS GROUND)



Detail1
SCALE 8:1

56X $\phi 105 \pm 0.05$
 $\phi 0.1[A/B]$

8X $\phi 155$
 $\phi 0.1[A/B]$

24X $\phi 0.95 \pm 0.05$
 $\phi 0.1[A/B]$
SMALLER HOLE ON THESE FOUR ROWS ONLY

THIS AREA DENOTES COMPONENT KEEP-OUT (TRACES ALLOWED)

6.50 TYP.
1.00 TYP.
2.88 TYP.
2.00 TYP.

NOTES:

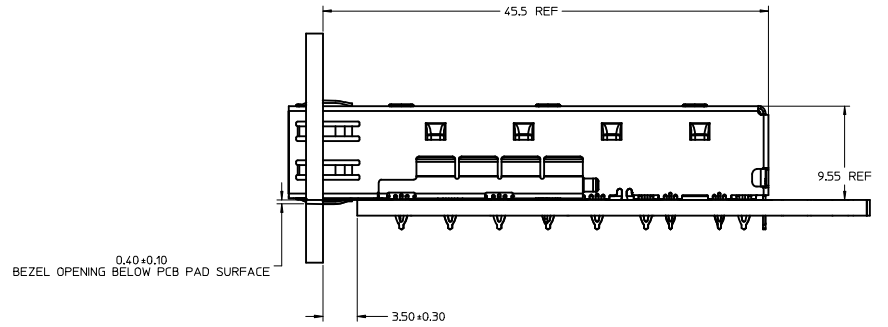
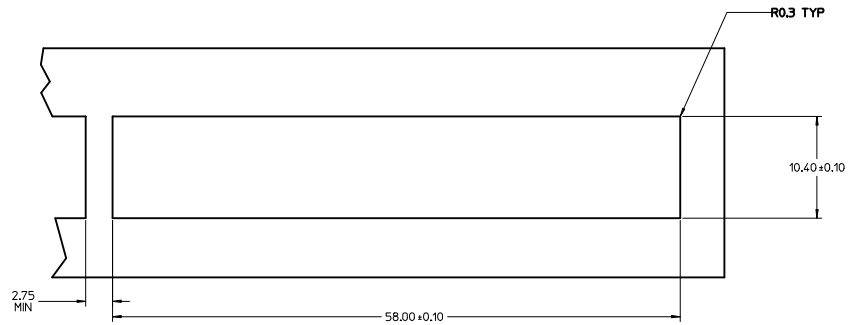
- PADS AND VIAS GO TO CHASSIS GROUND, (64 PLACES).
RECOMMENDED PADS TO BE 2mm SQUARE
- PLATING OPTIONAL FOR THROUGH HOLES, (16 PLACES).
- RECOMMENDED PLATING INCLUDES HASL, IMMERSION (GOLD, SILVER, OR TIN), AND OSP.
- HOLE PATTERN REPEATS FOR EACH PORT.
SPACING BETWEEN PORTS IS 14.25 MM
- CONNECTOR PAD LAYOUT PER SFP MSA. WILL ACCOMMODATE MOLEX CONNECTOR SERIES 74441 OR EQUIVALENT.

SEE Detail1

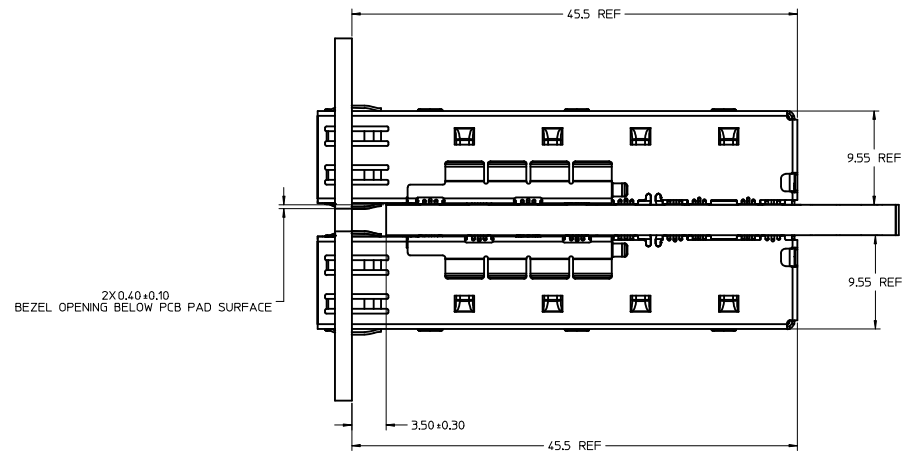
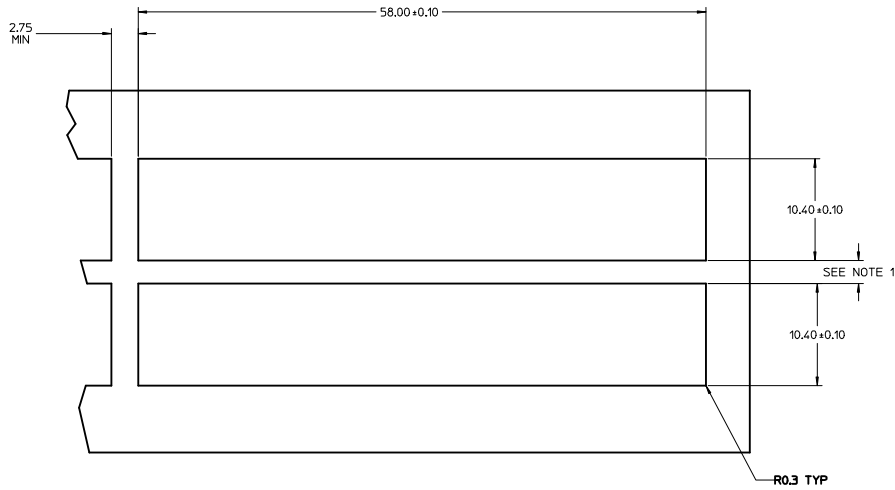
SEE REVISION TABLE EEC NO: CPG2016-1266 DRAWN: THSU CHKO: APPROV: RCHEN08 DATE: 2015/06/23 DATE: 2015/09/22	QUALITY SYMBOLS $\nabla=0$ $\nabla=0$ $\nabla=0$	GENERAL TOLERANCES (UNLESS SPECIFIED) <table border="1"> <tr> <th></th> <th>mm</th> <th>INCH</th> </tr> <tr> <td>4 PLACES</td> <td>±0.13</td> <td>±0.005</td> </tr> <tr> <td>3 PLACES</td> <td>±0.25</td> <td>±0.010</td> </tr> <tr> <td>2 PLACES</td> <td>±0.50</td> <td>±0.020</td> </tr> <tr> <td>1 PLACE</td> <td>±1.00</td> <td>±0.040</td> </tr> <tr> <td>0 PLACE</td> <td>±1.50</td> <td>±0.060</td> </tr> </table>		mm	INCH	4 PLACES	±0.13	±0.005	3 PLACES	±0.25	±0.010	2 PLACES	±0.50	±0.020	1 PLACE	±1.00	±0.040	0 PLACE	±1.50	±0.060	DIMENSION STYLE MM ONLY	SCALE 6:1	DESIGN UNITS METRIC	THIRD ANGLE PROJECTION
		mm	INCH																					
	4 PLACES	±0.13	±0.005																					
	3 PLACES	±0.25	±0.010																					
2 PLACES	±0.50	±0.020																						
1 PLACE	±1.00	±0.040																						
0 PLACE	±1.50	±0.060																						
DRAWN BY THSU	DATE 2015/06/23	CHECKED BY RCHEN08	DATE 2015/09/22	TITLE 1X4 SFP GAGED CAGE PRESS FIT 3.05MM STAINLESS STEEL																				
APPROVED BY RCHEN08	DATE 2015/09/22	MATERIAL NO. 739270470	DOCUMENT NO. SD-73927-0470	SHEET NO. 3 OF 5																				
DRAFT WHERE APPLICABLE MUST REMAIN WITHIN DIMENSIONS																								

THIS DRAWING CONTAINS INFORMATION THAT IS PROPRIETARY TO MOLEX INCORPORATED AND SHOULD NOT BE USED WITHOUT WRITTEN PERMISSION

BEZEL AND BOARD POSITION DIMENSIONS FOR SINGLE SIDE MOUNTING

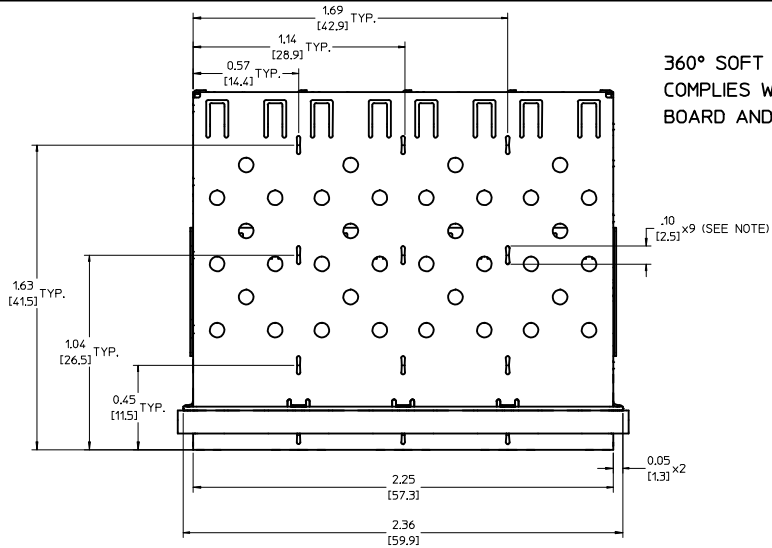


BEZEL AND BOARD POSITION DIMENSIONS FOR BELLY TO BELLY MOUNTING

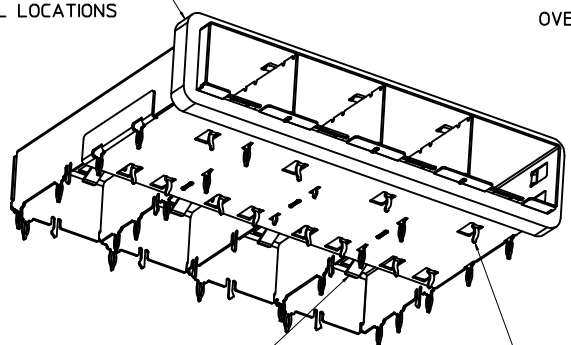


NOTE:
1. PCB THICKNESS VARIATION MUST BE CONSIDERED WHEN BEZEL OPENING LOCATION

SEE REVISION TABLE IEC NO: CPG2016-1266 DRAWN: THSU CHKD: APPROVED: RCHEN08 DATE: 2015/06/23 DATE: 2015/09/22	QUALITY SYMBOLS	GENERAL TOLERANCES (UNLESS SPECIFIED)	DIMENSION STYLE	SCALE	DESIGN UNITS	THIRD ANGLE PROJECTION
	▽=0	4 PLACES ± mm	MM ONLY	4:1	METRIC	☉
	▽=0	3 PLACES ± 0.13	INCH			
	▽=0	2 PLACES ± 0.25				
		ANGULAR ± 1 °	DRAWN BY	DATE	TITLE	
		DRAFT WHERE APPLICABLE MUST REMAIN WITHIN DIMENSIONS	THSU	2015/06/23	1X4 SFP GAGED CAGE PRESS FIT 3.05MM STAINLESS STEEL	
			CHECKED BY	DATE	APPROVED BY	
			RCHEN08	2015/09/22	DATE	
					MATERIAL NO.	
					739270470	
					DOCUMENT NO.	
					SD-73927-0470	
					SHEET NO.	
					4 OF 5	
					THIS DRAWING CONTAINS INFORMATION THAT IS PROPRIETARY TO MOLEX INCORPORATED AND SHOULD NOT BE USED WITHOUT WRITTEN PERMISSION	

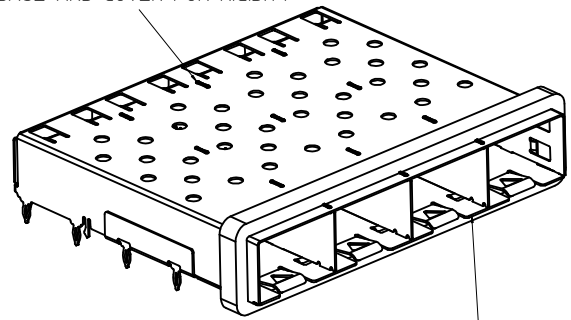


360° SOFT EMI BEZEL GASKET
COMPLIES WITH (SFP) MSA
BOARD AND BEZEL LOCATIONS

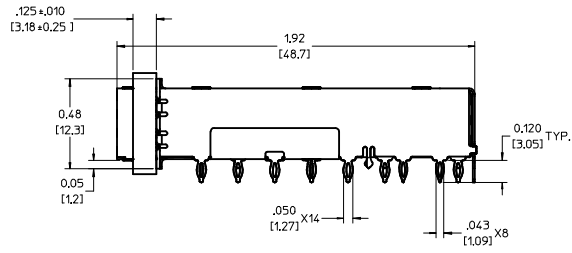
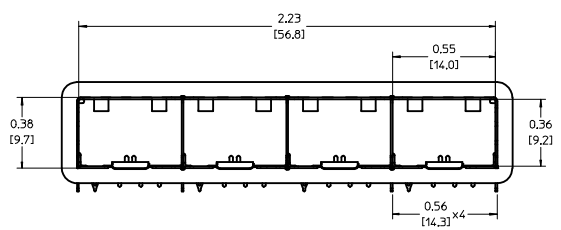


EMI FINGERS
CONTACT ADAPTER

INNER WALL TABS ARE COINED
OVER BASE AND COVER FOR RIGIDITY



DIMENSIONS OF EACH INNER CAGE DESIGNED
TO FUNCTION WITH SMALL FORM-FACTOR
PLUGGABLE (SFP) TRANSCEIVER



NOTES:

1. PRESS FIT LEGS .120" LONG-
0.062 [1.57] MINIMUM PCB THICKNESS FOR SINGLE SIDED USE.
0.118 [3.00] MINIMUM PCB THICKNESS FOR BELLY TO BELLY USE.

2. MATERIAL: COPPER ALLOY
PLATING: NONE

NOTE: A NICKEL PLATED VERSION OF THIS ASSEMBLY IS AVAILABLE.
REFER TO DOCUMENT SD-74728-420

3. REFERENCE DOCUMENTS:
PRODUCT SPECIFICATION: PS-74728-000
COSMETIC SPECIFICATIONS: WI-HP-7-2774 AND WI-HPA-7-0093
TEST SUMMARY: TS-74728-0415

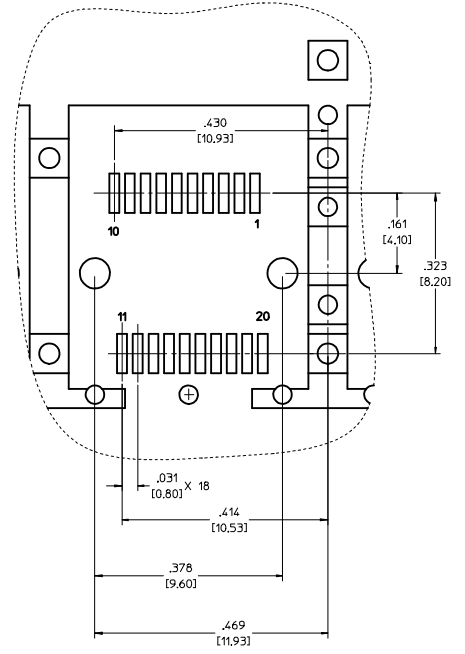
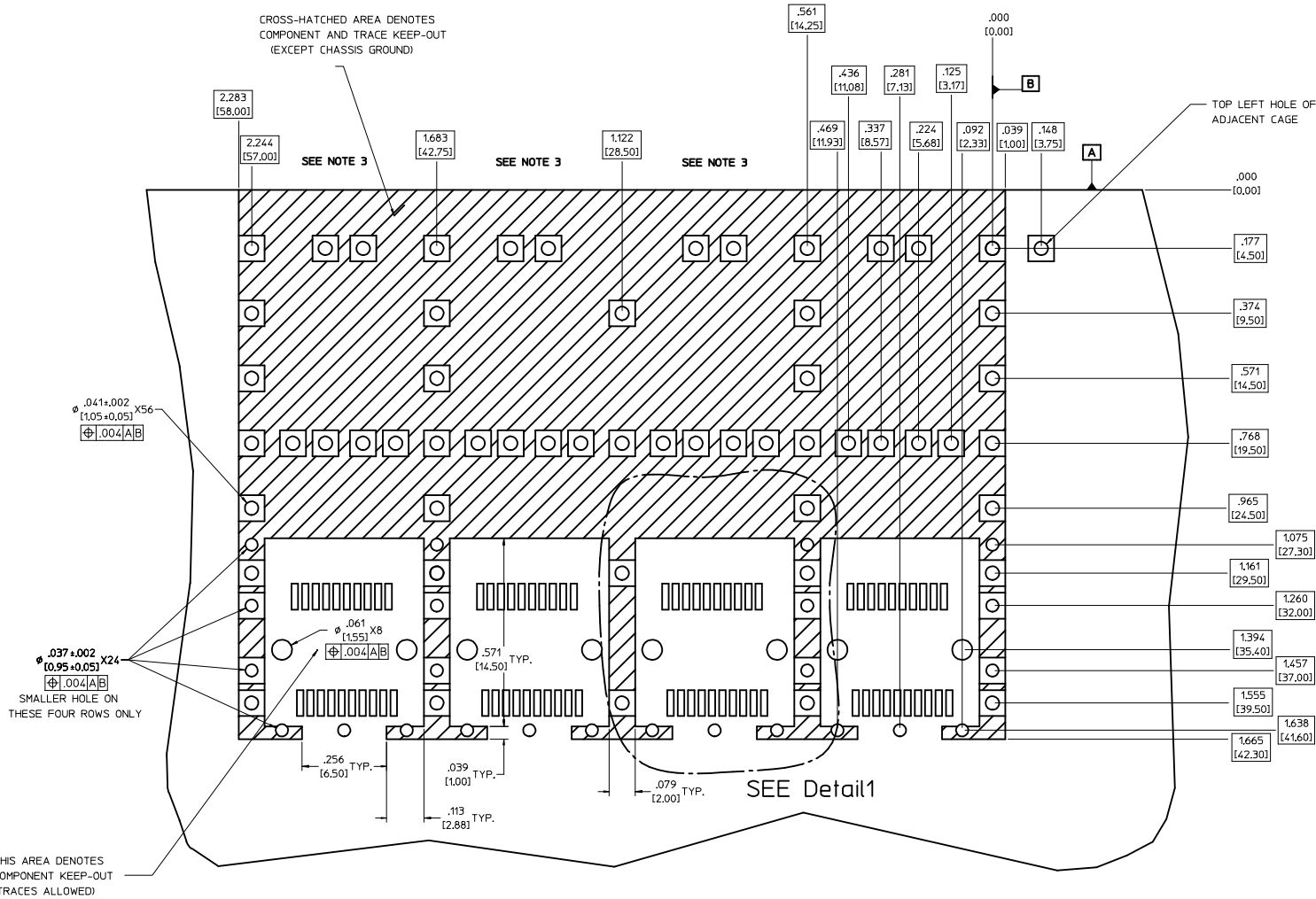
4. THIS PART MEETS THE RESTRICTION OF HAZARDOUS SUBSTANCES IN
ELECTRICAL AND ELECTRONIC EQUIPMENT (ROHS) DIRECTIVE (2002/95/EC).

ENTER DESCRIPTION IEC NO. USY2006-0078 DRAWN BY 2006/01/17 CHKD BRUSSELL 2006/01/20 APPR BRUSSELL 2006/01/25 REV DESCRIPTION	QUALITY SYMBOLS ▽=0 ▽=0		GENERAL TOLERANCES (UNLESS SPECIFIED) mm INCH 4 PLACES ±.005 ±.005 3 PLACES ±.010 ±.010 2 PLACES ±.015 ±.015 1 PLACE ±.025 ±.025 ANGULAR ± 1°		DIMENSION STYLE IN/MM SCALE 3:1 DESIGN UNITS METRIC THIRD ANGLE PROJECTION		DRAWN BY DATE KSI MONSO 2003/05/30 CHECKED BY DATE BRUSSELL 2003/05/30 APPROVED BY DATE BRUSSELL 2003/05/30		TITLE 1X4 SFP GANGED CAGE ASSEMBLY, PRESS FIT	
	DRAFT WHERE APPLICABLE MUST REMAIN WITHIN DIMENSIONS		MATERIAL NO. 739270401 DOCUMENT NO. SD-73927-401		MOLEX INCORPORATED		SHEET NO. 1 OF 5			
	THIS DRAWING CONTAINS INFORMATION THAT IS PROPRIETARY TO MOLEX INCORPORATED AND SHOULD NOT BE USED WITHOUT WRITTEN PERMISSION									
	SIZE D									

PCB LAYOUT FOR BELLY TO BELLY MOUNTING

CROSS-HATCHED AREA DENOTES
COMPONENT AND TRACE KEEP-OUT
(EXCEPT CHASSIS GROUND)

HOST CONNECTOR DETAIL



Detail 1
SCALE 8:1

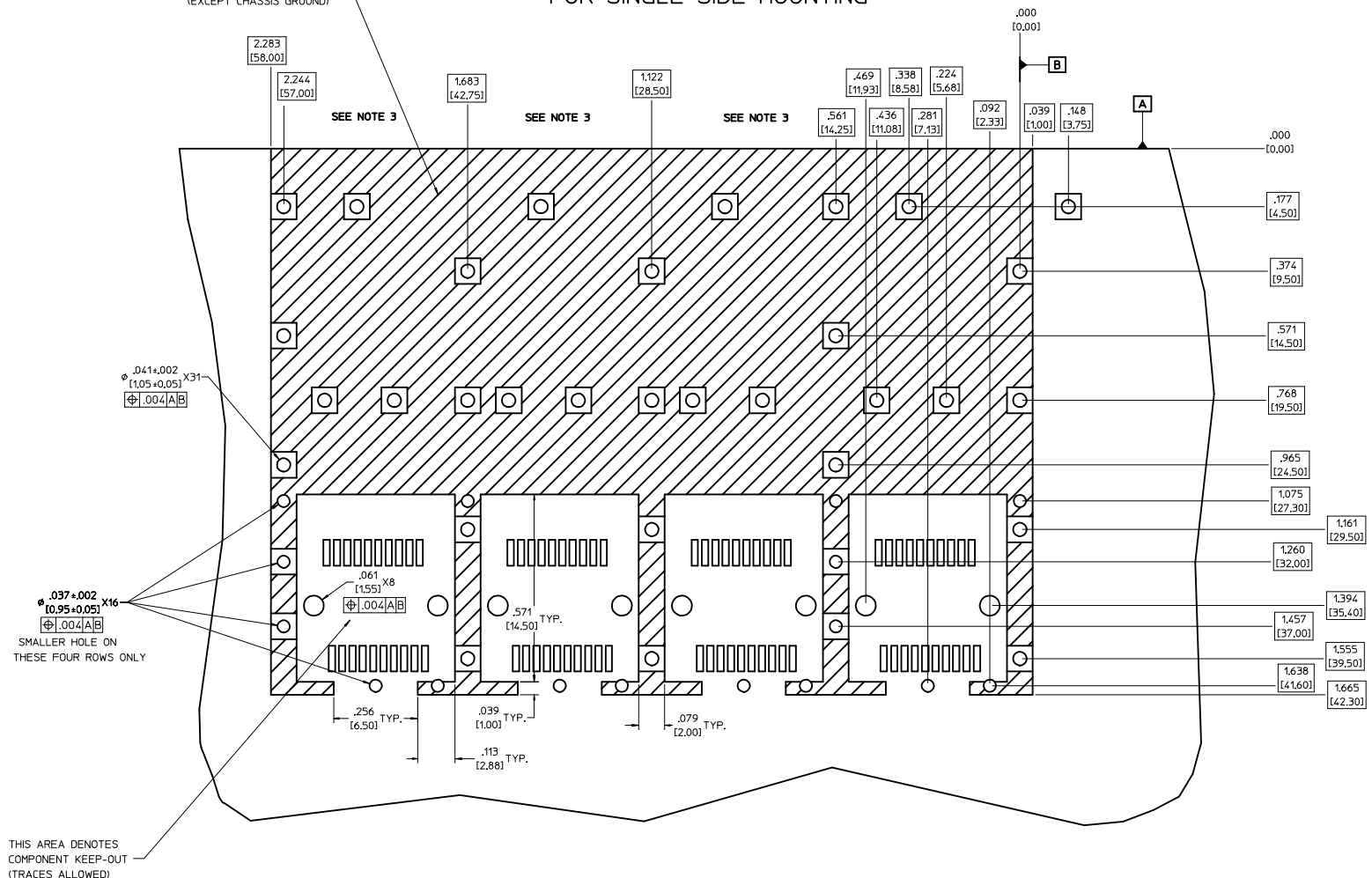
NOTES:

1. PADS AND VIAS GO TO CHASSIS GROUND, (64 PLACES), RECOMMENDED PADS TO BE 2mm SQUARE
2. PLATING OPTIONAL FOR THROUGH HOLES (16 PLACES).
3. RECOMMENDED PLATING INCLUDES HASL, IMMERSION (GOLD, SILVER, OR TIN), AND OSP.
4. HOLE PATTERN REPEATS FOR EACH PORT.
SPACING BETWEEN PORTS IS 5.61 [14.25]
5. CONNECTOR PAD LAYOUT PER SFP MSA. WILL ACCOMMODATE MOLEX CONNECTOR SERIES 74441 OR EQUIVALENT.

ENTER DESCRIPTION IEC NO: USY2006-0078 DRAWN BY: DRINKS MONSON 2006/01/17 CHECKED BY: CHYK BRUSSELL 2006/01/20 APPROVED BY: APPR: BRUSSELL 2006/01/25	QUALITY SYMBOLS ▽=0 ▽=0	GENERAL TOLERANCES (UNLESS SPECIFIED)		DIMENSION STYLE IN/MM		SCALE 6:1		DESIGN UNITS METRIC		THIRD ANGLE PROJECTION	
		4 PLACES ± --- ± --- INCH 3 PLACES ± --- ± .005		DRAWN BY: KS MONSON DATE: 2003/05/30		CHECKED BY: BRUSSELL DATE: 2003/05/30		TITLE: 1X4 SFP GANGED CAGE ASSEMBLY, PRESS FIT			
		2 PLACES ± 0.13 ± .01 1 PLACE ± 0.25 ± ---		APPROVED BY: BRUSSELL DATE: 2003/05/30		MATERIAL NO: 739270401		DOCUMENT NO: SD-73927-401		SHEET NO: 2 OF 5	
		ANGULAR ± 1 °		DRAFT WHERE APPLICABLE MUST REMAIN WITHIN DIMENSIONS		MOLEX INCORPORATED					

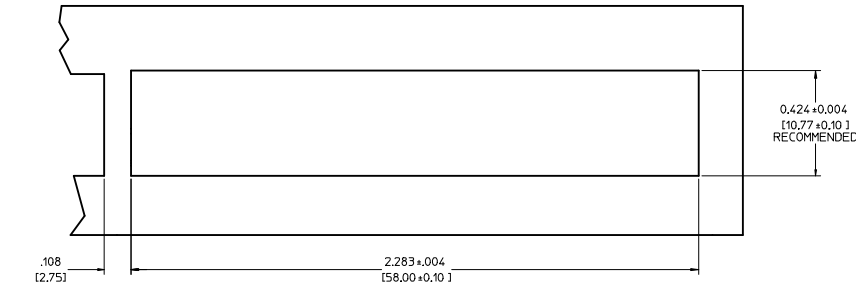
PCB LAYOUT FOR SINGLE SIDE MOUNTING

CROSS-HATCHED AREA DENOTES
COMPONENT AND TRACE KEEP-OUT
(EXCEPT CHASSIS GROUND)

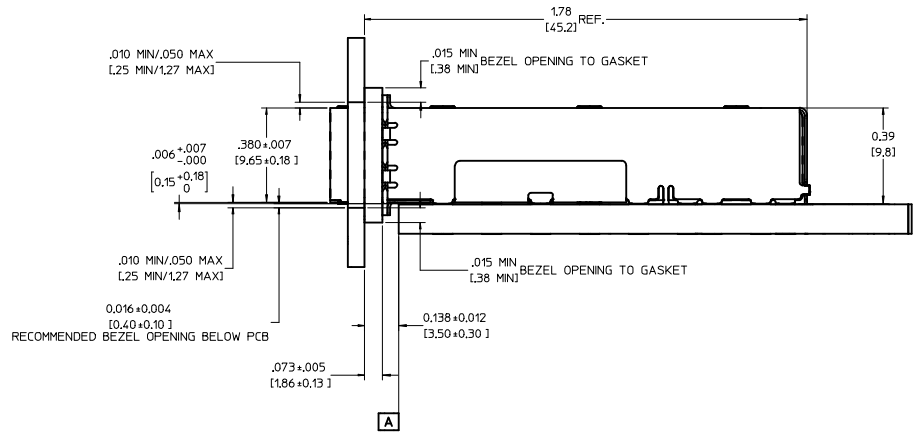


- NOTES:**
1. PADS AND VIAS GO TO CHASSIS GROUND, (34 PLACES). RECOMMENDED PADS TO BE 2mm SQUARE
 2. PLATING OPTIONAL FOR THROUGH HOLES (12 PLACES).
 3. RECOMMENDED PLATING INCLUDES HASL, IMMERSION (GOLD, SILVER, OR TIN), AND OSP.
 4. HOLE PATTERN REPEATS FOR EACH PORT.
SPACING BETWEEN PORTS IS 5.61 [14.25]
 5. CONNECTOR PAD LAYOUT PER SFP MSA. WILL ACCOMMODATE MOLEX CONNECTOR SERIES 74441 OR EQUIVALENT.

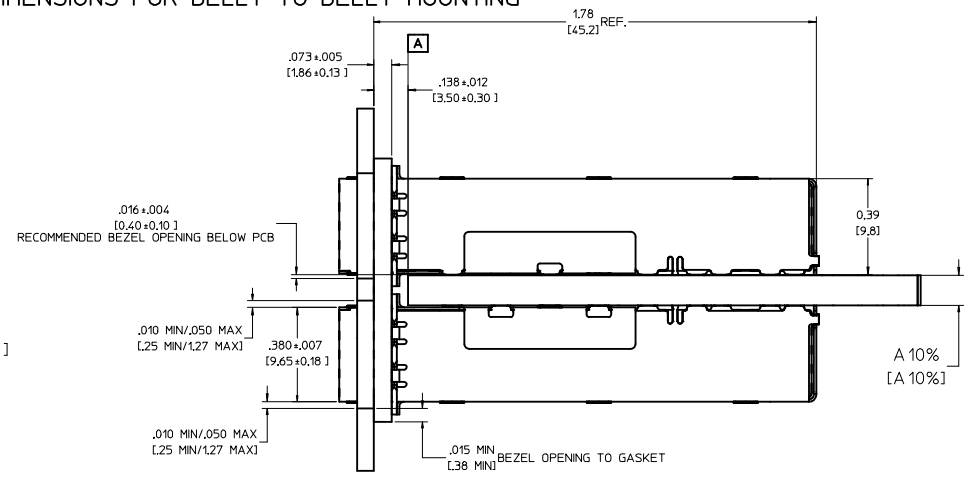
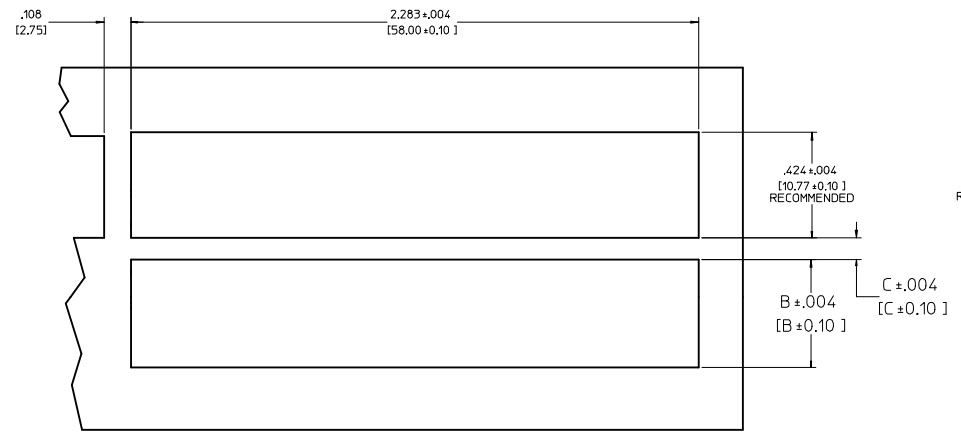
ENTER DESCRIPTION IEC NO: USY2006-0078 DRAWN BY: CHYKORUSSELL DATE: 2006/01/20 APPR: BRUSSELL DATE: 2006/01/25	QUALITY SYMBOLS ▽=0 ▽=0	GENERAL TOLERANCES (UNLESS SPECIFIED):		DIMENSION STYLE IN/MM	SCALE 6:1	DESIGN UNITS METRIC	THIRD ANGLE PROJECTION	
		4 PLACES ±--- ±---	INCH	DRAWN BY KS (MONSO)	DATE 2003/05/30	TITLE 1X4 SFP GANGED CAGE ASSEMBLY, PRESS FIT		
		3 PLACES ±--- ±.005	±.005	CHECKED BY BRUSSELL	DATE 2003/05/30	MOLEX INCORPORATED		
		2 PLACES ±0.13 ±.01 1 PLACE ±0.25 ±--- ANGULAR ± 1°	DRAFT WHERE APPLICABLE MUST REMAIN WITHIN DIMENSIONS	APPROVED BY BRUSSELL	DATE 2003/05/30	MATERIAL NO. 739270401	DOCUMENT NO. SD-73927-401	SHEET NO. 3 OF 5



BEZEL AND BOARD POSITION DIMENSIONS FOR SINGLE SIDE MOUNTING



BEZEL AND BOARD POSITION DIMENSIONS FOR BELLY TO BELLY MOUNTING



NOTE: FOR A GIVEN BOARD THICKNESS (A), DIMENSIONS (B) AND (C) ARE DIRECTLY AFFECTED.

USE RECOMMENDED DIMENSIONS AND TOLERANCES TO AID IN DEVELOPING BEZEL OPENING.

FOR EXAMPLE USING A BOARD THICKNESS OF .125" THE RECOMMENDED VALUES WOULD BE:

- A= .125/3.18 ±10%
- B= .434/11.03 ±.004
- C= .088/2.23 ±.004

ENTER DESCRIPTION IEC NO.: USY2006-0078 DRAWN BY: KSI MONSON 2006/01/17 CHYKORUSSELL 2006/01/20 APPROVED BY: BRUSSELL 2006/01/25	QUALITY SYMBOLS	GENERAL TOLERANCES (UNLESS SPECIFIED)	DIMENSION STYLE	SCALE	DESIGN UNITS	THIRD ANGLE PROJECTION	
	▼=0 ▽=0	4 PLACES ±.005 3 PLACES ±.005 2 PLACES ±.013 1 PLACE ±.025	INCH ±.005 ±.01 ±.025	IN/MM DATE: 2003/05/30 DATE: 2003/05/30 DATE: 2003/05/30	4:1	METRIC	1X4 SFP GANGED CAGE ASSEMBLY, PRESS FIT
	ANGULAR ± 1°	DRAFT WHERE APPLICABLE MUST REMAIN WITHIN DIMENSIONS	MATERIAL NO. 739270401	DOCUMENT NO. SD-73927-401	MOLEX INCORPORATED		
	SIZE D	THIS DRAWING CONTAINS INFORMATION THAT IS PROPRIETARY TO MOLEX INCORPORATED AND SHOULD NOT BE USED WITHOUT WRITTEN PERMISSION					

20 19 18 17 16 15 14 13 12 11 10 9 8 7 6 5 4 3 2 1

DATE	REV	CHANGES	COMMENTS
05/29/2003	A	INITIAL RELEASE	N/A
03/25/2004	B	UPDATE VIEWS WITH COVER MODIFICATIONS	N/A
10/12/2004	C	UPDATED VIEWS	DOCUMENT CHANGE ONLY
10/07/2005	D	ADDED PCB AND BEZEL LAYOUT. UPDATED NOTES.	DOCUMENT CHANGE ONLY

ENTER DESCRIPTION EC NO: USY2006-0078 DRAWN BY: JORDAN SIMONSON 2006/01/17 CHECKED BY: CHYD BRUSSELL 2006/01/20 APPROVED BY: APPR: BRUSSELL 2006/01/25	QUALITY SYMBOLS ▽=0 ▽=0	GENERAL TOLERANCES (UNLESS SPECIFIED)		DIMENSION STYLE IN/MM	SCALE 1:1	DESIGN UNITS METRIC	THIRD ANGLE PROJECTION	
		4 PLACES ± --- ± --- 3 PLACES ± --- ± .005 2 PLACES ± 0.13 ± .01 1 PLACE ± 0.25 ± --- ANGULAR ± 1°	DRAWN BY: KS IMONSON 2003/05/30 CHECKED BY: BRUSSELL 2003/05/30 APPROVED BY: BRUSSELL 2003/05/30	TITLE 1X4 SFP GANGED CAGE ASSEMBLY, PRESS FIT		MOLEX INCORPORATED		MATERIAL NO. 739270401
DRAFT WHERE APPLICABLE MUST REMAIN WITHIN DIMENSIONS		THIS DRAWING CONTAINS INFORMATION THAT IS PROPRIETARY TO MOLEX INCORPORATED AND SHOULD NOT BE USED WITHOUT WRITTEN PERMISSION						

19 18 17 16 15 14 13 12 11 10 9 8 7 6 5 4 3 2 1