

A

A

B

B

C

C

D

D

E

E

F

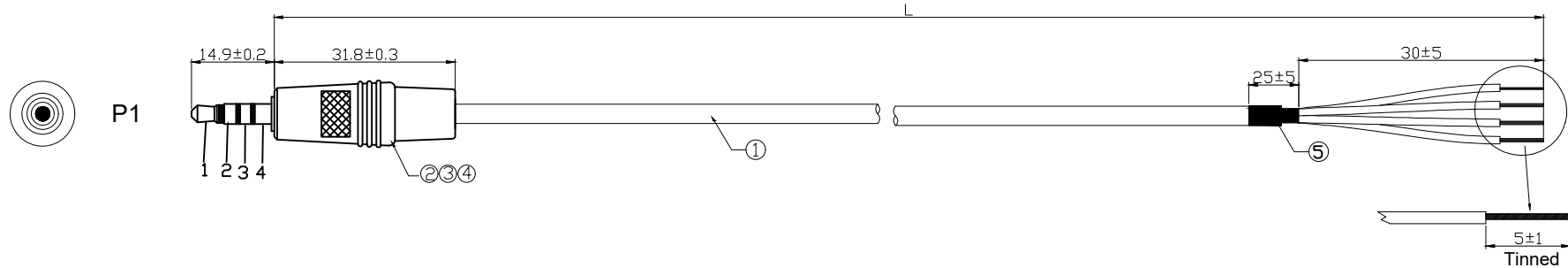
F

G

G

H

H



ITEM NO	L	Color
A-AV-02-45-28-183-S	1830±30mm	Black
A-AV-02-45-28-091-S	915±20mm	Black
A-AV-02-45-28-183-S1	1830±30mm	White
A-AV-02-45-28-091-S1	915±20mm	White

NOTE:  
 1.100% OPEN SHORT & MISWIRE TEST.  
 2.HIPOT TEST:AT DC300V  
 3.INSULATION RESISTANCE:10M OHM/MIN.  
 4.CONDUCTIVE RESISTANCE: 5 OHM/MAX.

PIN ASSIGNMENT

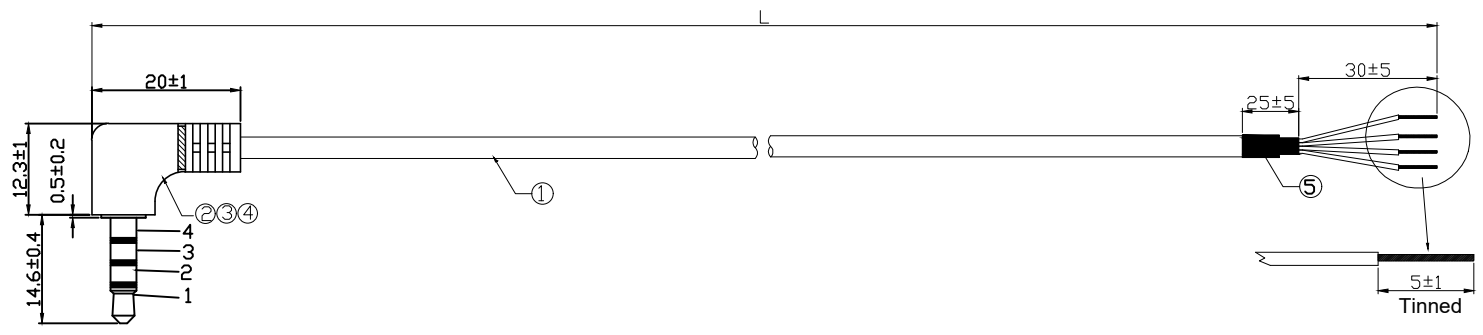
1	RED
2	WHITE
3	GREEN
4	BLACK

NO.	NAME	DESCRIPTION	Q'TY	UNIT
⑤	HT-TUBE	OD4.0mm,L=25mm	1	PCS
④	INNER MOLD	LDPE	N/A	G
③	OUTER MOLD	PVC . 45P	N/A	G
②	CONN	3.5ST MALE TRAY6.0MM,L=30MM, NICKEL PLATED	1	PCS
①	CABLE	NOUL 28AWG(7/0.12BC)*4C+A,80°C,OD3.8	1	PCS

RoHS compliant  
Unit: mm

Scale	Free				Date	Name	Customer-No.
TOLERANCE					Drawn	05.11.2021	Daniel
					Approved	05.11.2021	Daniel
DIM	TOL						
Angle	TOL	Id.	Modification	Date			

ASSMANN WSW-No. <b>A-AV-02-45-28-xxx-x</b>	
Drawing-No. <b>ASS 10058 CA</b>	rev00
Replace	Sheet 1/2



ITEM NO	L	Color
A-AV-02-45-28-183-S2	1830±30mm	Black
A-AV-02-45-28-091-S2	915±20mm	Black
A-AV-02-45-28-183-S3	1830±30mm	White
A-AV-02-45-28-091-S3	915±20mm	White

NOTE:  
 1.100% OPEN SHORT & MISWIRE TEST.  
 2.HIPOT TEST:AT DC300V  
 3.INSULATION RESISTANCE:10M OHM/MIN.  
 4.CONDUCTIVE RESISTANCE: 5 OHM/MAX.

PIN ASSIGNMENT  
 P1 \_\_\_\_\_  
 1 \_\_\_\_\_ RED  
 2 \_\_\_\_\_ WHITE  
 3 \_\_\_\_\_ GREEN  
 4 \_\_\_\_\_ BLACK

NO.	NAME	DESCRIPTION	Q'TY	UNIT
⑤	HT-TUBE	OD4.0mm,L=25mm	1	PCS
④	INNER MOLD	LDPE	N/A	G
③	OUTER MOLD	PVC . 45P	N/A	G
②	CONN	3.5ST MALE TRAY6.0MM,L=30MM, NICKEL PLATED	1	PCS
①	CABLE	NOUL 28AWG(7/0.12BC)*4C+A,80°C,OD3.8	1	PCS

**RoHS compliant**  
 Unit: mm

Scale	Free				Date	Name	Customer-No.
TOLERANCE				Drawn	05.11.2021	Daniel	ASSMANN WSW-No. <b>A-AV-02-45-28-xxx-x</b>
				Approved	05.11.2021	Daniel	
DIM	TOL						Drawing-No.
							<b>ASS 10058 CA</b>
Angle	TOL	Id.	Modification	Date	Name		rev00
							Replace
							Sheet 2 / 2

