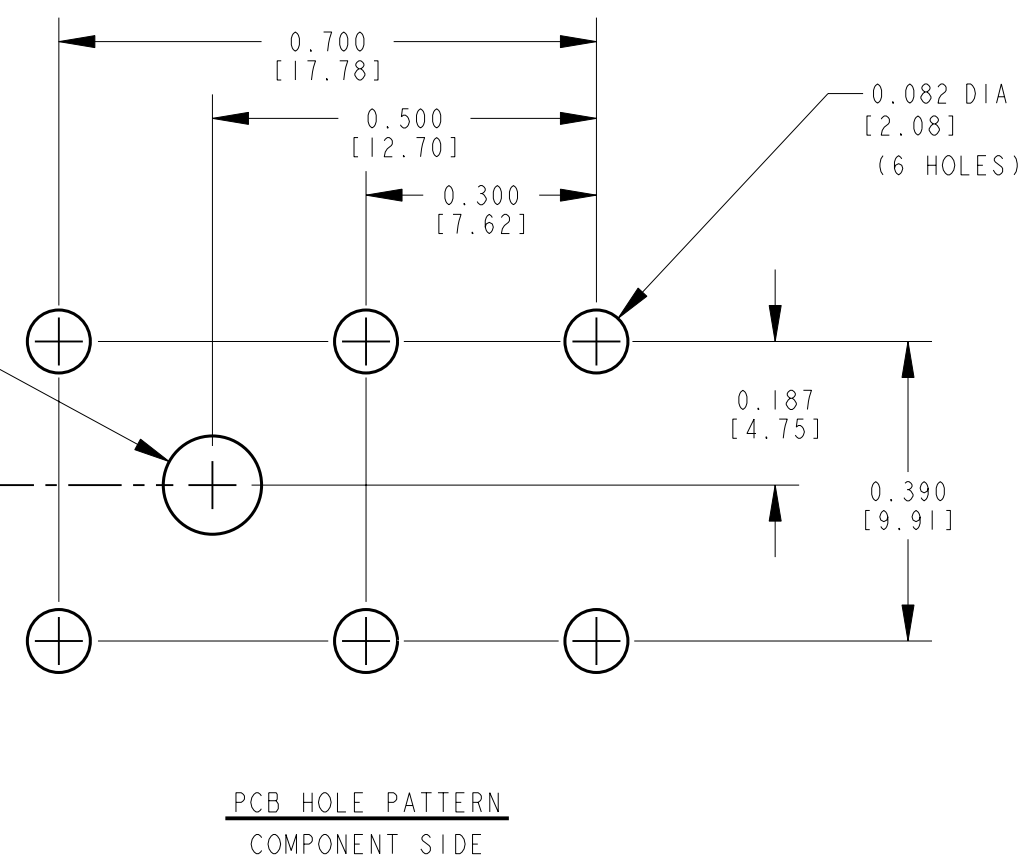
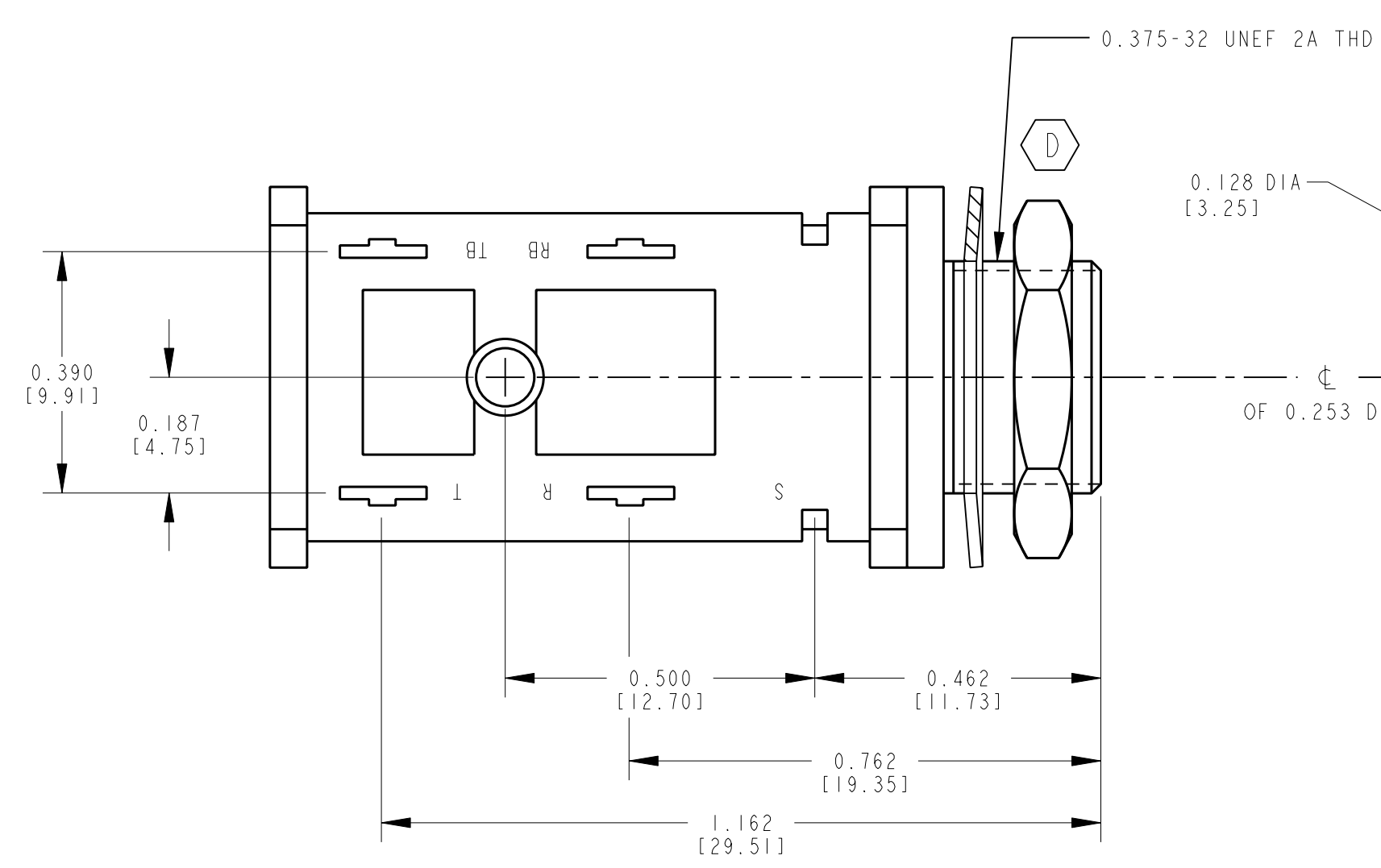


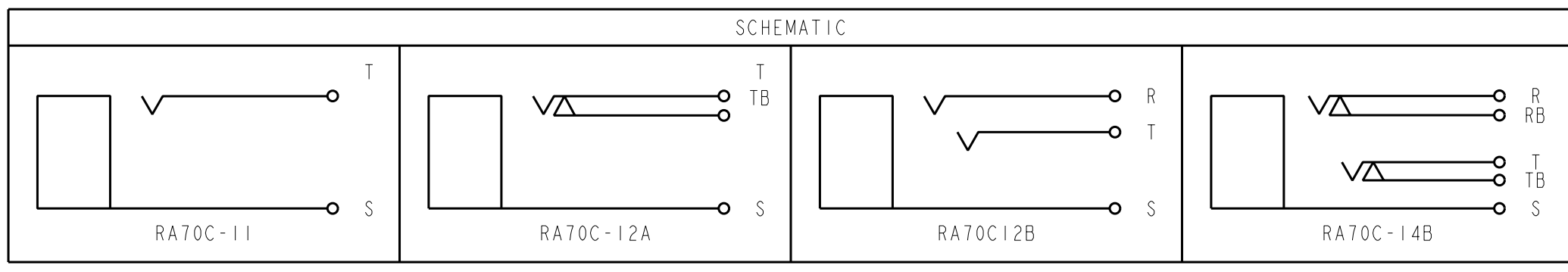
MATERIAL SPECIFICATIONS
 HOUSING: BLACK THERMOPLASTIC POLYESTER. 94V0
 CONTACT SPRINGS: TIN PLATED SPRING TEMP. NICKEL SILVER.
 HARDWARE: NICKEL PLATED BRASS.
 METAL BUSHING: NICKEL PLATED BRASS
 SLEEVE SPRING: TINNED PHOS. BRONZE.



D

CUSTOMER DRAWING

CAD/CAM DWG. NO.
RA70C_CD
SHEET 1 OF 1



<p>★ STAR SYMBOL DENOTES CRITICAL DIMENSION. SEE S/C ENGINEERING STANDARD ES-0001</p> <p>UNLESS OTHERWISE SPECIFIED</p>				<p>THIS DRAWING DESCRIBES A DESIGN CONSIDERED PROPRIETARY IN NATURE, DEVELOPED AND MANUFACTURED BY SWITCHCRAFT INC. AND IS RELEASED ON A CONFIDENTIAL BASIS FOR IDENTIFICATION PURPOSE ONLY.</p>							
FINISH		SIZE		WIDTH		MULT		LBS./M		TEMPER	
SPEC. NO.		SCALE		MATERIAL		SPEC. NO.		MATERIAL		SPEC. NO.	
FIRST USED ON		SCALE		MATERIAL		SPEC. NO.		MATERIAL		SPEC. NO.	
DATE DRAWN		BY		CHK'D		APP'D		MATERIAL		SPEC. NO.	
4-15-88		RLD		VL		AS		MATERIAL		SPEC. NO.	
4-15-88		RLD		5-1-89		5-2-89		MATERIAL		SPEC. NO.	
NAME		PART NO.		ISSUE		ISSUE		MATERIAL		SPEC. NO.	
JACK ASSEMBLY (METAL BUSHING)		RA70C-SER D		D		D		MATERIAL		SPEC. NO.	
<p>REVISIONS</p>				<p>DO NOT SCALE DRAWING</p>				<p>ROUTING</p>			

Pro/Engineer CAD File

ROUTING