

MATERIALS & FINISHES

BODY: BRASS  
PLATED GOLD

CONTACT: BERYLLIUM COPPER  
PLATED GOLD

INSULATOR: TEFLON

JAM NUT: BRASS  
PLATED GOLD

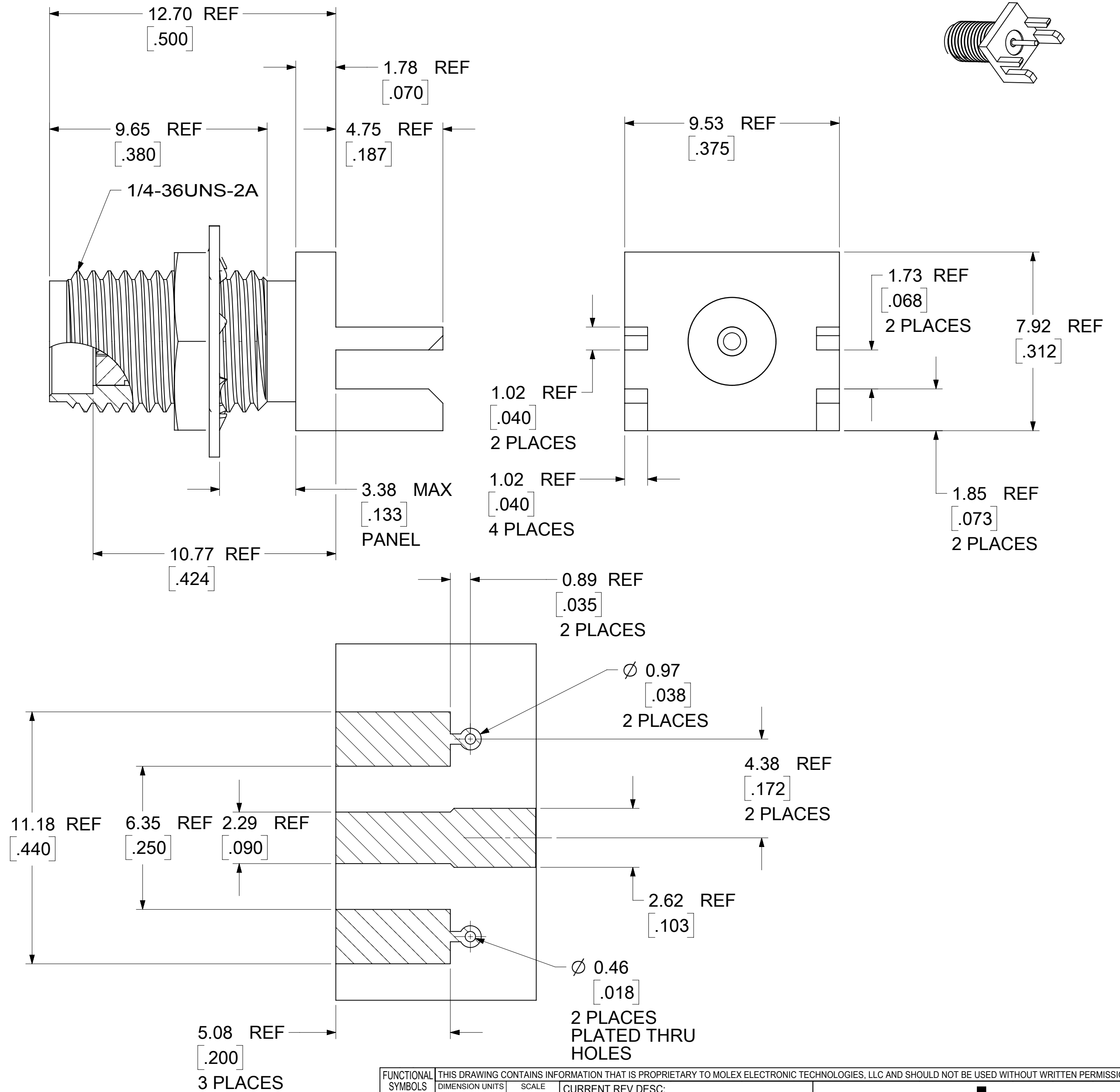
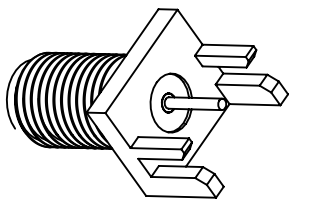
LOCK WASHER: PHOSPHOR BRONZE  
PLATED GOLD

PACKAGE SEE TABLE

HARDWARE:

JAM NUT: 7.87/.310 HEX X 1.55/.061

LOCK WASHER:  $\varnothing$ 10.26/.404 X  $\varnothing$ 6.65/.262 X .46/.018



RECOMMENDED PCB LAYOUT

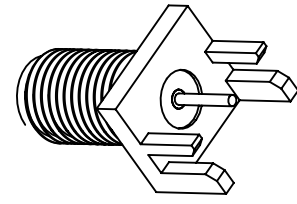
BOARD THICKNESS 1.57/.062

73251-1291	BAG
73251-1290	TRAY
PART NO.	PACKAGING

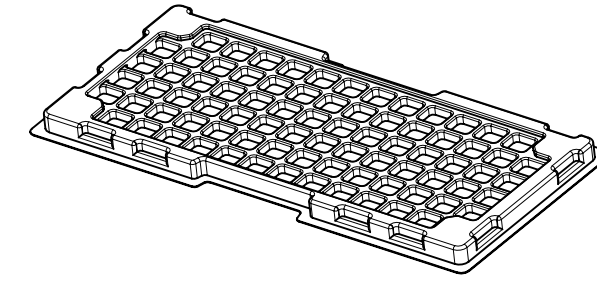
MIL-STD-348A, FIG. 310.2	INTERFACE
SPECIFICATION	DESCRIPTION

FUNCTIONAL SYMBOLS	THIS DRAWING CONTAINS INFORMATION THAT IS PROPRIETARY TO MOLEX ELECTRONIC TECHNOLOGIES, LLC AND SHOULD NOT BE USED WITHOUT WRITTEN PERMISSION		CURRENT REV DESC:  EWR-14242-J ADDED LABEL FORMAT FOR 73251-1291		<b>molex</b>		
	DIMENSION UNITS	SCALE					
$\frac{F}{A} = 0$	MM/INCH	NTS	EC NO: 659677		SMA, JACK		
$\frac{F}{C} = 0$	GENERAL TOLERANCES (UNLESS SPECIFIED)		DRWN: JSU18		EDGEMOUNT FOR .062 PCB SMA-J/PCB, EWR-2864		
$\frac{F}{P} = 0$	ANGULAR TOL $\pm$ 2.0°		2021/03/24		PRODUCT CUSTOMER DRAWING		
DIVISIONAL SYMBOLS	4 PLACES $\pm$	3 PLACES $\pm$	2021/04/06		DOCUMENT NUMBER		
	2 PLACES $\pm$	1 PLACE $\pm$	2021/04/06		SD-73251-129		
	0 PLACES $\pm$	0 PLACES $\pm$	INITIAL REVISION:		DOC TYPE		
			DRWN: RFC_PLMIMP		PSD		
			APPR: JWIENER		001		
			2017/12/12		A5		
			2005/08/29		SHEET NUMBER		
DRAFT WHERE APPLICABLE MUST REMAIN WITHIN DIMENSIONS	THIRD ANGLE PROJECTION	DRAWING	SERIES	MATERIAL NUMBER	CUSTOMER	1 OF 3	
		C-SIZE	73251	GENERAL MARKET			

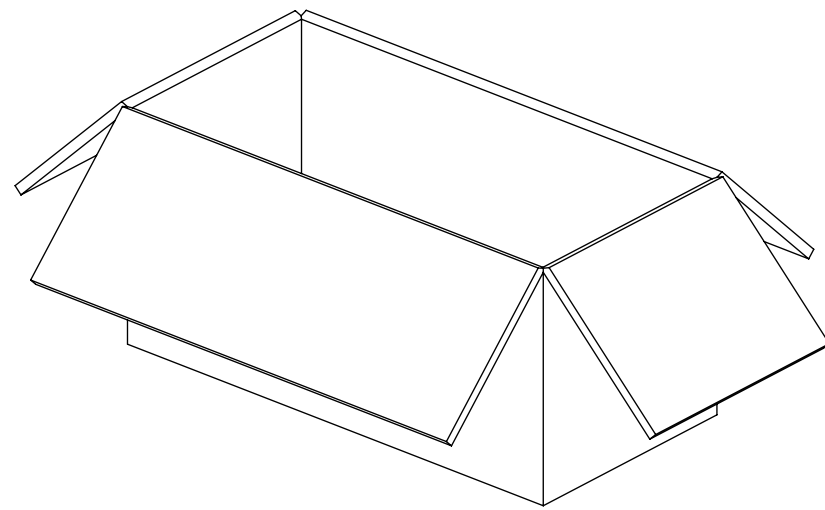
DOCUMENT STATUS	P1	RELEASE DATE	2021/04/06	01:47:33
-----------------	----	--------------	------------	----------



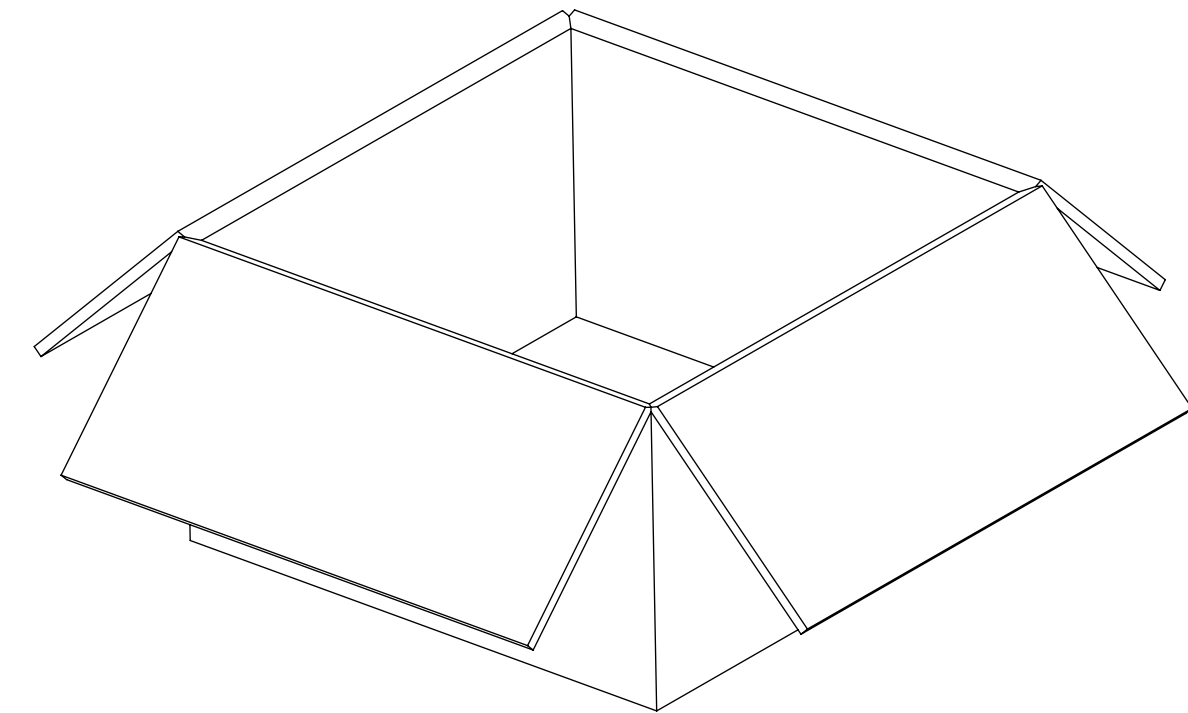
PART NO: 73251-1290



80 SET PER TRAY  
P/N: 89707-0190



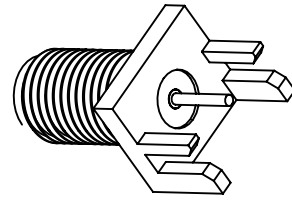
1200 SET PER INNER CARTON BOX  
P/N: 96707-0001



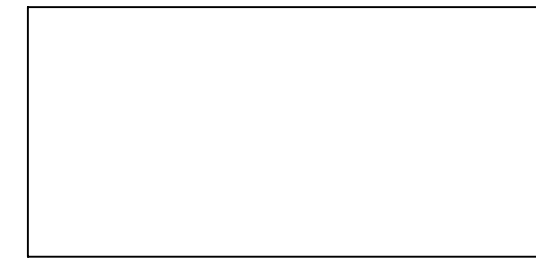
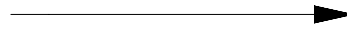
2400 SET PER OUTER CARTON BOX  
P/N: 96708-0005

FUNCTIONAL SYMBOLS	THIS DRAWING CONTAINS INFORMATION THAT IS PROPRIETARY TO MOLEX ELECTRONIC TECHNOLOGIES, LLC AND SHOULD NOT BE USED WITHOUT WRITTEN PERMISSION											
	DIMENSION UNITS	SCALE	CURRENT REV DESC:								<b>molex</b>	
$\frac{F}{A} = 0$	MM/INCH	NTS	EWR-14242-J ADDED LABEL FORMAT FOR 73251-1291									
$\frac{F}{C} = 0$	GENERAL TOLERANCES (UNLESS SPECIFIED)											
	ANGULAR TOL $\pm 2.0^\circ$											
DIVISIONAL SYMBOLS	4 PLACES	$\pm$	EC NO: 659677									
	3 PLACES	$\pm$	DRWN: JSU18 2021/03/24									
	2 PLACES	$\pm$	CHK'D: YCHENG 2021/04/06									
	1 PLACE	$\pm$	APPR: YCHENG 2021/04/06									
0 PLACES	$\pm$	INITIAL REVISION:										
DRAFT WHERE APPLICABLE MUST REMAIN WITHIN DIMENSIONS		THIRD ANGLE PROJECTION	DRAWING	SERIES	MATERIAL NUMBER					CUSTOMER	SHEET NUMBER	
			C-SIZE	73251	SD-73251-129					GENERAL MARKET	2 OF 3	
					DOCUMENT NUMBER					DOC TYPE	DOC PART	REVISION
					PSD					001	A5	

DOCUMENT STATUS	P1	RELEASE DATE	2021/04/06	01:47:33
-----------------	----	--------------	------------	----------



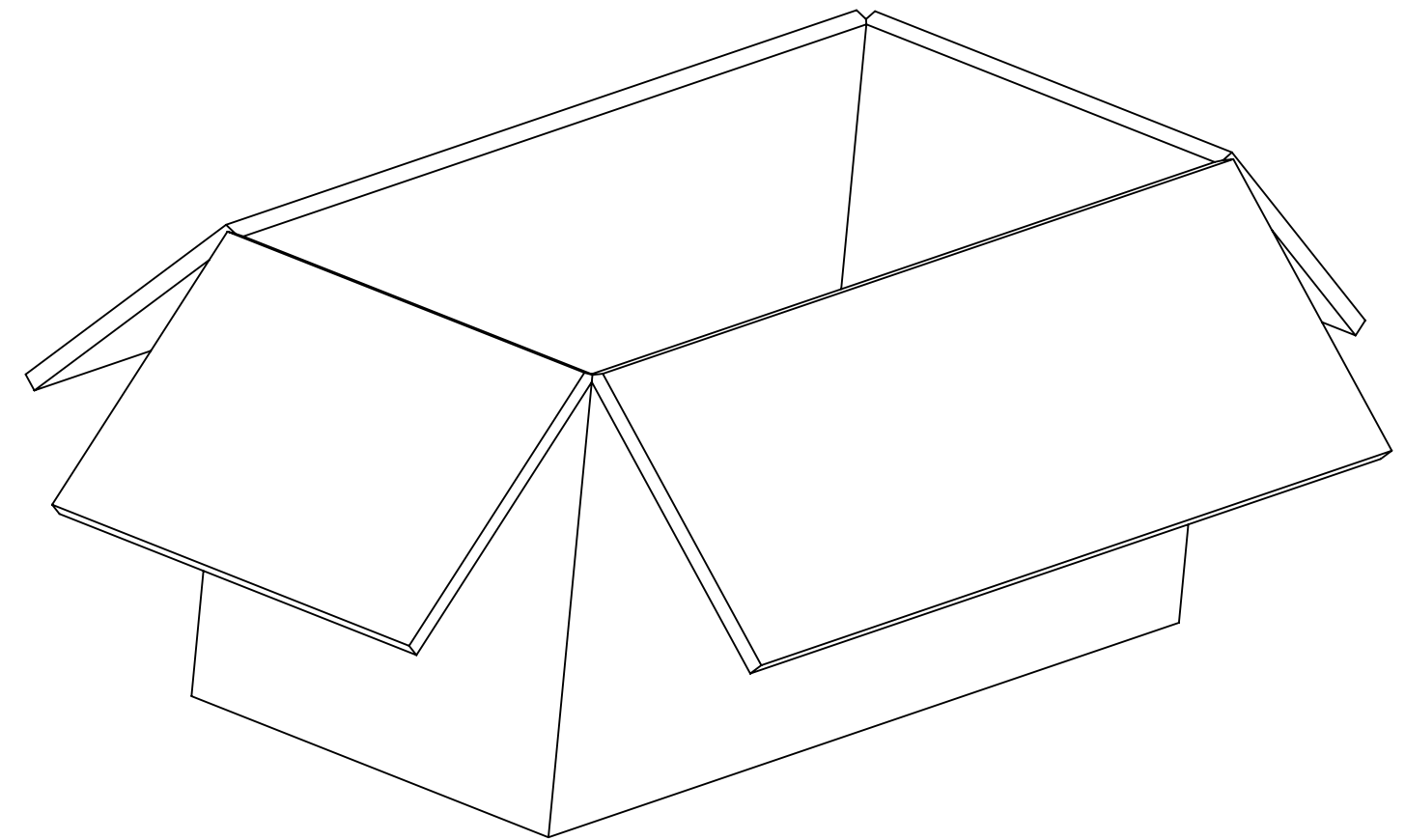
PART NO: 73251-1291



1 SET PER POLYBAG  
P/N: 89707-0317

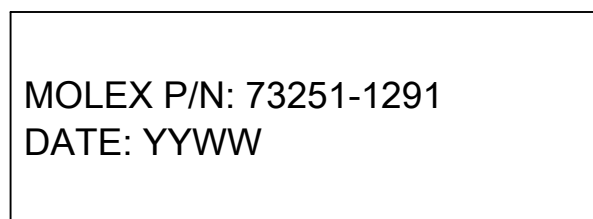


50 SET PER POLYBAG  
P/N: 89707-0176



500 SET PER OUTER CARTON BOX  
P/N: 96707-0002

LABEL WITH EACH BAG  
FOR 73251-1291



FUNCTIONAL SYMBOLS	THIS DRAWING CONTAINS INFORMATION THAT IS PROPRIETARY TO MOLEX ELECTRONIC TECHNOLOGIES, LLC AND SHOULD NOT BE USED WITHOUT WRITTEN PERMISSION										
	DIMENSION UNITS	SCALE	CURRENT REV DESC:							<b>molex</b>	
$\frac{F}{A} = 0$	MM/INCH	NTS	EWR-14242-J ADDED LABEL FORMAT FOR 73251-1291								
DIVISIONAL SYMBOLS	GENERAL TOLERANCES (UNLESS SPECIFIED)		EC NO: 659677							SMA, JACK	
	ANGULAR TOL $\pm 2.0^\circ$		DRWN: JSU18 2021/03/24							EDGEMOUNT FOR .062 PCB SMA-J/PCB, EWR-2864	
4 PLACES $\pm$		CHK'D: YCHENG 2021/04/06							PRODUCT CUSTOMER DRAWING		
3 PLACES $\pm$		APPR: YCHENG 2021/04/06							DOCUMENT NUMBER		
2 PLACES $\pm$		INITIAL REVISION:							SD-73251-129		
1 PLACE $\pm$		DRWN: RFC_PLMIMP 2017/12/12							DOC TYPE		
0 PLACES $\pm$		APPR: JWIENER 2005/08/29							PSD		
DRAFT WHERE APPLICABLE MUST REMAIN WITHIN DIMENSIONS		THIRD ANGLE PROJECTION		DRAWING		SERIES		DOC PART		REVISION	
				C-SIZE		73251		001		A5	
								SHEET NUMBER		3 OF 3	