

Directive 2002/95/EC
"RoHS"
Compliant

NOTES:

- METALSHELLS: STEEL; min. 315µin TIN over 40-80µin NICKEL
- INSULATORS: PBT GF UL 94 V-0, GREEN
- SIGNAL CONTACTS: COPPER ALLOY
PLATING: 30µin HARD GOLD over min. 50µin NICKEL
- HIGH POWER CONTACTS 20A: COPPER ALLOY
PLATING MATING AREA: 30µin HARD GOLD over min. 50µin NICKEL
PLATING TERMINATION SIDE: 160-240µin TIN over 80µin NICKEL
- METAL BRACKET: ZINC DIE CAST; 300µin COPPER/ 40-120µin NICKEL/ 120-200µin TIN
- THREADED INSERT: COPPER ALLOY; min. 200µin TIN over 80µin NICKEL
- MAXIMUM TORQUE VALUE FOR THREAD: 6 in.LB
- CONNECTOR IS PART MARKED: 3009W4SCT56N40X CONEC ABC

APPROVAL # FREIGABE # DEBLOCAGE # AUTORIZACION # APPROVAL

CUSTOMER APPROVAL DATE:

NAME: TITLE:

COMPANY NAME:

APPROVAL # FREIGABE # DEBLOCAGE # AUTORIZACION # APPROVAL

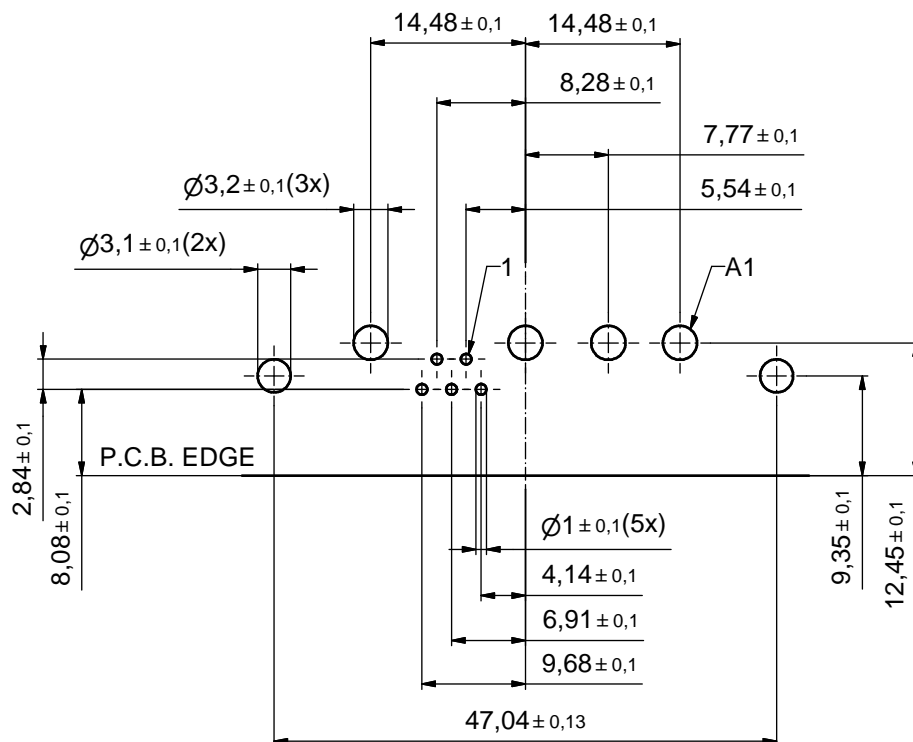
THIS DRAWING MAY NOT BE COPIED OR REPRODUCED IN ANY WAY AND MAY NOT BE PASSED ON TO A THIRD PARTY WITHOUT WRITTEN PERMISSION. OWNERSHIP AND COPYRIGHT OF CONEC GmbH

DO NOT ALTER CAD DRAWING BY HAND

| rev. | description | date | name |
|------|-------------|------|------|
| a | Origin | | |

| | | | |
|-----------|------------|--------------|--|
| tolerance | dim. in mm | scale: | 2:1 (5:1) |
| | | material: | SEE NOTES |
| drawn | 04.09.2007 | Sonnenberg | title: |
| appd. | 04.09.2007 | Mickenbecker | D-SUB COMBINATION FEMALE |
| norm | | | 9W4S |
| d-old | | | with threaded insert, metal bracket and clip |
| | | dwg no: | Inventor 10 |
| | | | DIN-A3 |
| | | | sh: 1 |
| | | part no: | 13K1A1710 |
| | | | 3009W4SCT56N40X |

CONEC



| | |
|---|--------|
| APPROVAL # FREIGABE # DEBLOCAGE # AUTORIZACION # APPROVAL | |
| CUSTOMER APPROVAL DATE: | |
| NAME: | TITLE: |
| COMPANY NAME: | |
| APPROVAL # FREIGABE # DEBLOCAGE # AUTORIZACION # APPROVAL | |

THIS DRAWING MAY NOT BE COPIED OR REPRODUCED IN ANY WAY, AND MAY NOT BE PASSED ON TO A THIRD PARTY WITHOUT WRITTEN PERMISSION.
OWNERSHIP AND COPYRIGHT OF CONEC GmbH

DO NOT ALTER CAD DRAWING BY HAND

| rev. | description | date | name |
|------|-------------|------|------|
| a | Origin | | |

| tolerance | | dim. in mm | |
|-----------|------------|------------|--------------|
| drawn | 04.09.2007 | name | Sonnenberg |
| appd. | 04.09.2007 | name | Mickenbecker |
| norm | | | |
| d-old | | | |



| | | |
|-----------|--|--------|
| scale: | 2:1 | |
| material: | SEE SHEET 1 | |
| title: | P.C.B. HOLE DRILLINGS D-SUB COMBINATION FEMALE 9W4S with threaded insert, metal bracket and clip | |
| dwg no: | Inventor 10 | DIN-A3 |
| | 13K1A1710 | sh: 2 |
| part no: | 3009W4SCT56N40X | |