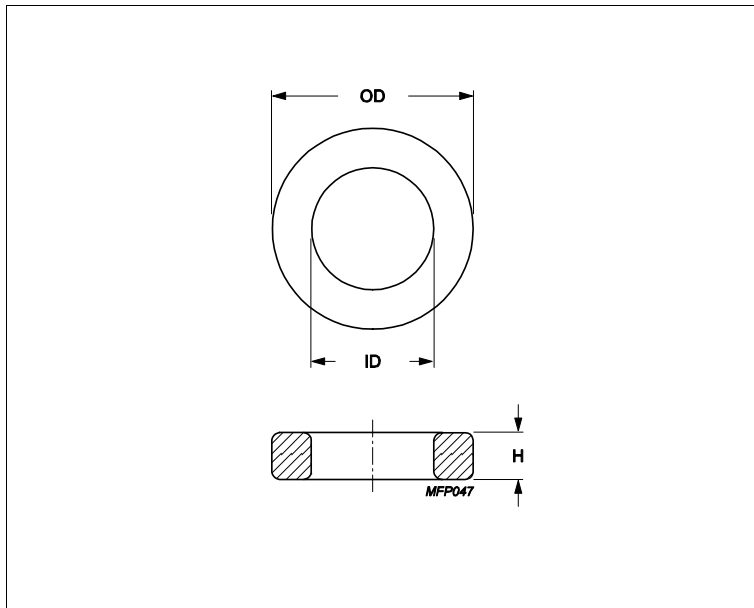


## Core **Toroid 63/38/25**



Effective parameters				
	Parameter	Value	Unit	
	$\Sigma(I/A)$	core factor (C1)	0.497	mm <sup>-1</sup>
	<b>Ve</b>	effective volume	46500	mm <sup>3</sup>
	<b>Le</b>	effective length	152	mm
	<b>Ae</b>	effective area	306	mm <sup>2</sup>
	<b>m</b>	mass of core	≈ 220	g/pcs

Epoxy coating DC isolation voltage 2000.

Maximum operating temperature of the coating is 200°C.

### Dimensions (mm)

Cores	OD	ID	H	
<b>T63/38/25</b>	63 ± 2	38 ± 1.2	25 ± 0.8	Uncoated
<b>TX63/38/25</b>	65.5 max	36.4 min	26.3 max	Epoxy Coated

### Core data

Cores	Material	AI (nH/turns <sup>2</sup> )	AI tolerance	μe
<b>T63/38/25</b>	3C11	11000	± 25%	≈ 4300
<b>T63/38/25</b>	3C94	5900	± 25%	≈ 2300
<b>T63/38/25</b>	3E10	24400	± 20%	≈ 9500
<b>T63/38/25</b>	3E26 (3E27-M7)	17900	± 25%	≈ 7000
<b>T63/38/25</b>	3E27	14100	± 25%	≈ 5500
<b>T63/38/25</b>	3E6 (3E10-M)	24400	± 30%	≈ 9500

### Core data

Cores	Material	AI (nH/turns <sup>2</sup> )	AI tolerance	μe
<b>TX63/38/25</b>	3C11	11000	± 25%	≈ 4300
<b>TX63/38/25</b>	3C94	5900	± 25%	≈ 2300
<b>TX63/38/25</b>	3E10	24400	± 20%	≈ 9500
<b>TX63/38/25</b>	3E26 (3E27-M7)	17900	± 25%	≈ 7000
<b>TX63/38/25</b>	3E27	14100	± 25%	≈ 5500
<b>TX63/38/25</b>	3E6 (3E10-M)	24400	± 30%	≈ 9500