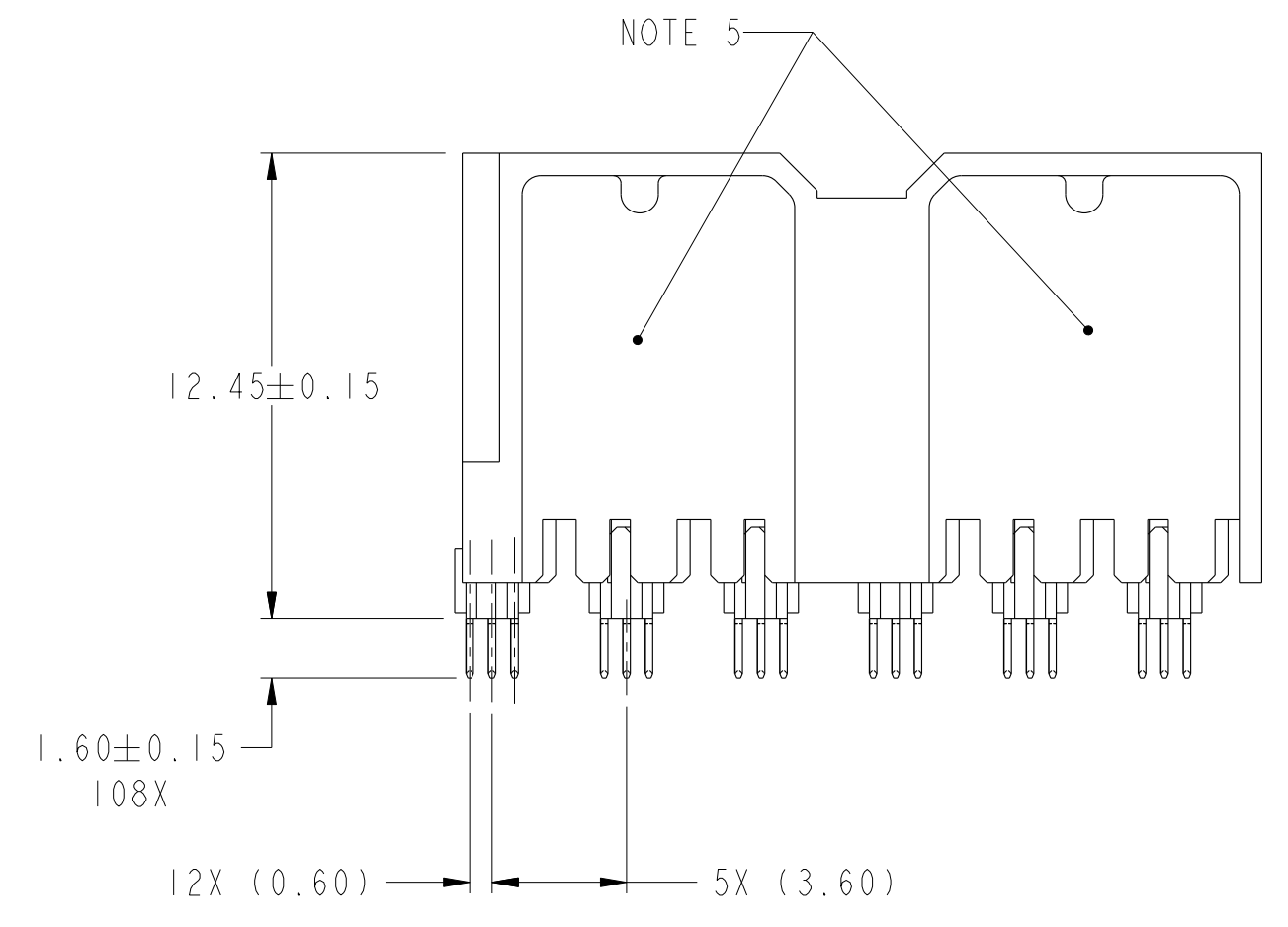
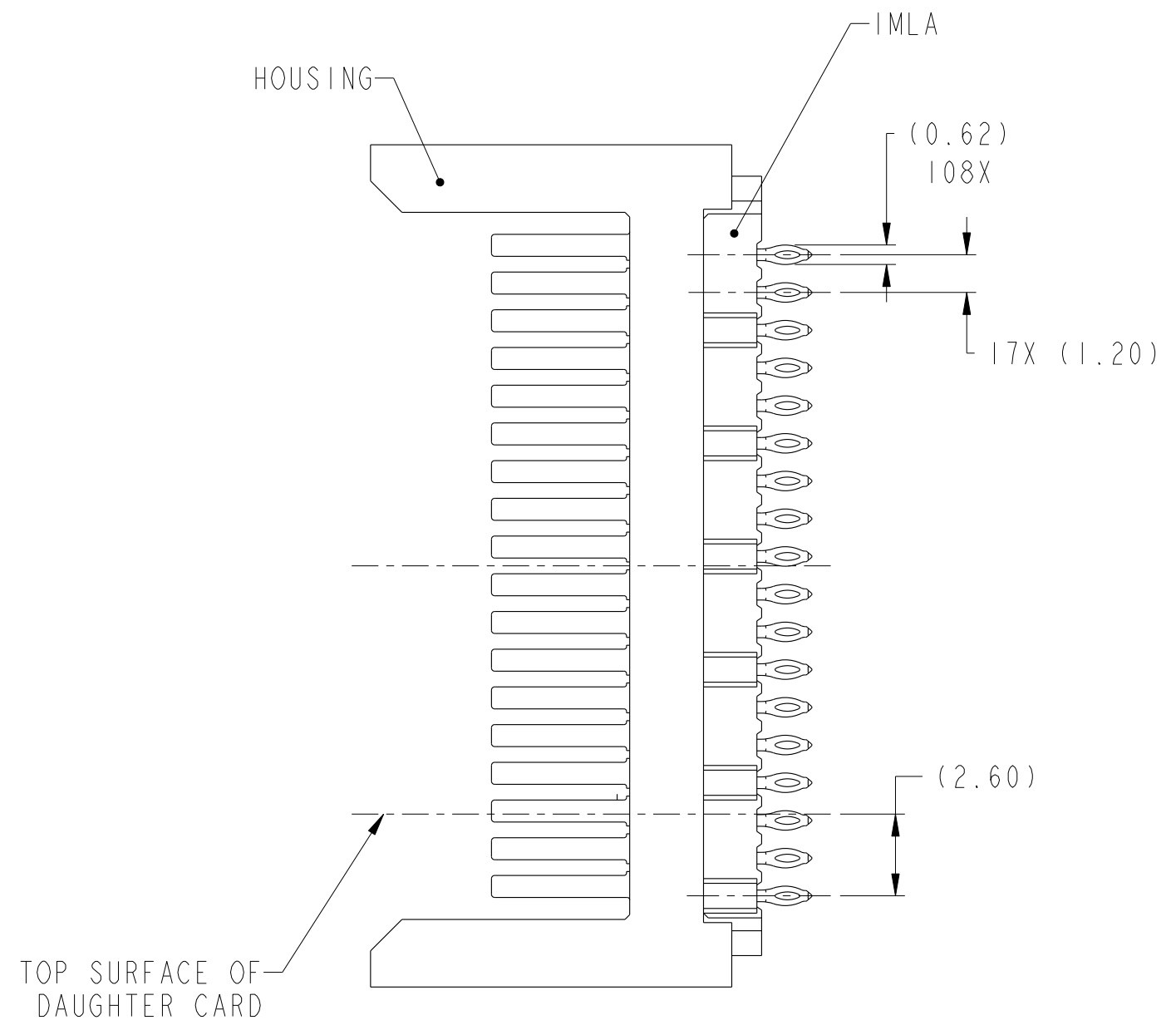
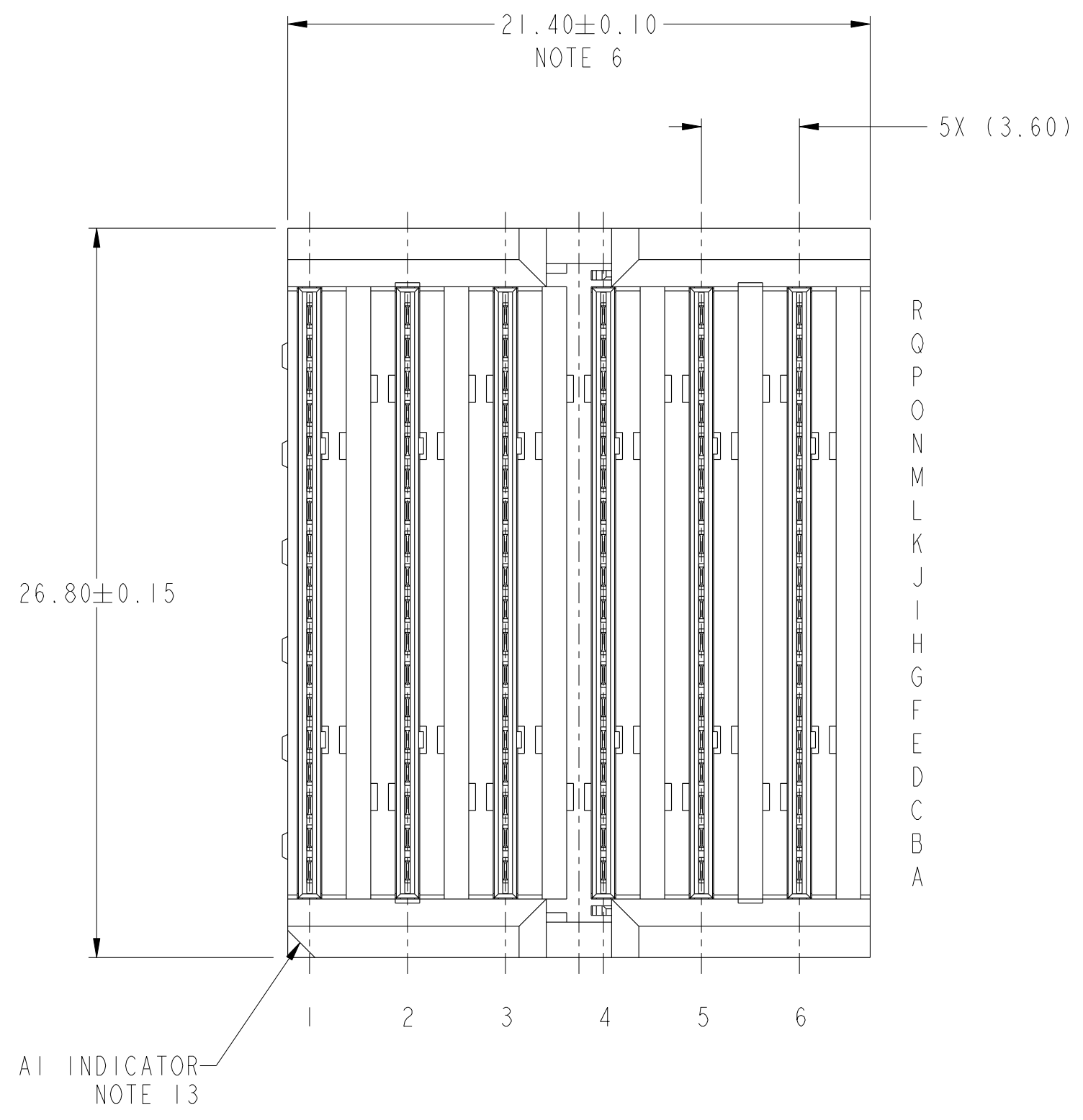


Product number  
SEE TABLE, SHT 4



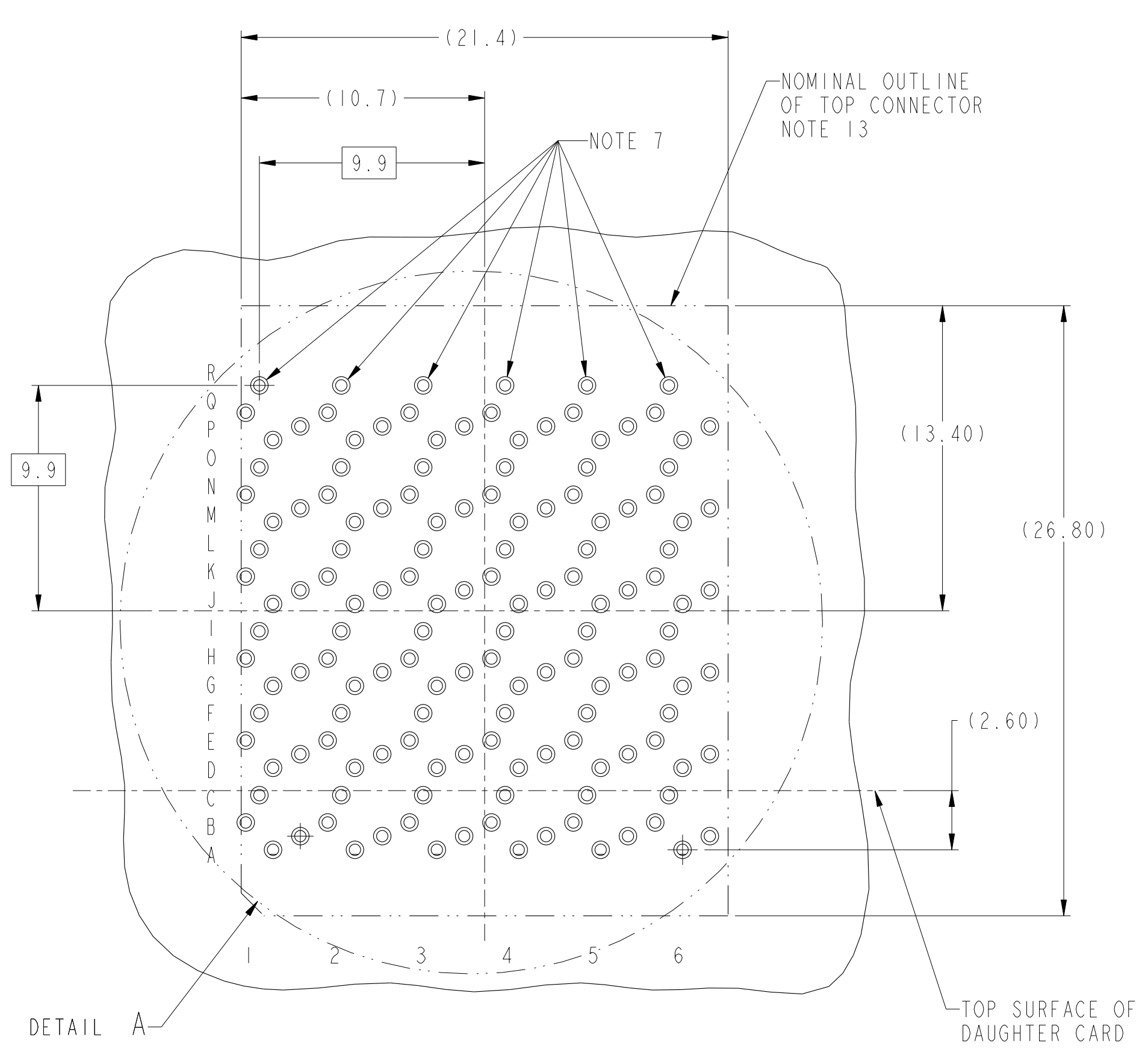
rev	ecn no	dr	date
A	S10-0016	YK	2010-01-19
-	-	-	-
-	-	-	-
-	-	-	-
-	-	-	-

www.fciconnect.com		surface ASME Y14.5	tolerance std ASME Y14.5	projection	MM
TOLERANCES UNLESS OTHERWISE SPECIFIED		ANGULAR	LINEAR	size A2	Scale 5:1
Dr	G. HULL	2007-07-10	0.X	±	ECN
Eng	Y. K. LIM	2010-01-19	0.XX	±	S10-0016
Chr	Y. K. LIM	2010-01-19	0.XXX	±	
Appr	JOEY NG	2010-01-19	Product family		ZipLine
FCJ		Title		ZipLine ORTHOGONAL VERT HDR	Rev.
		Part no		6 PR, 6 IMLA, 3.6mm PITCH, 21.6mm	A
		Catalog no		10078557	sheet 1 of 4
		CUSTOMER			

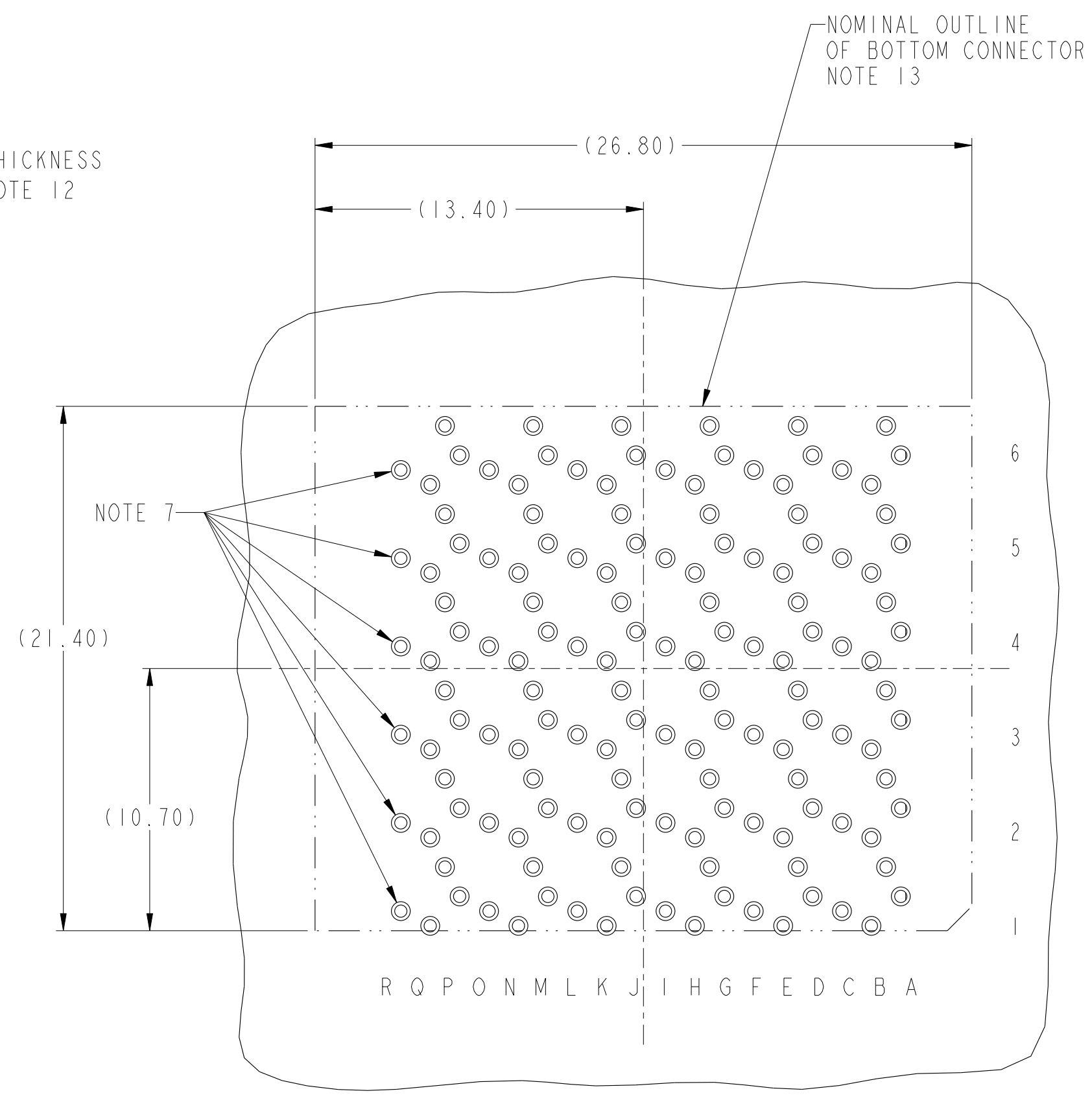
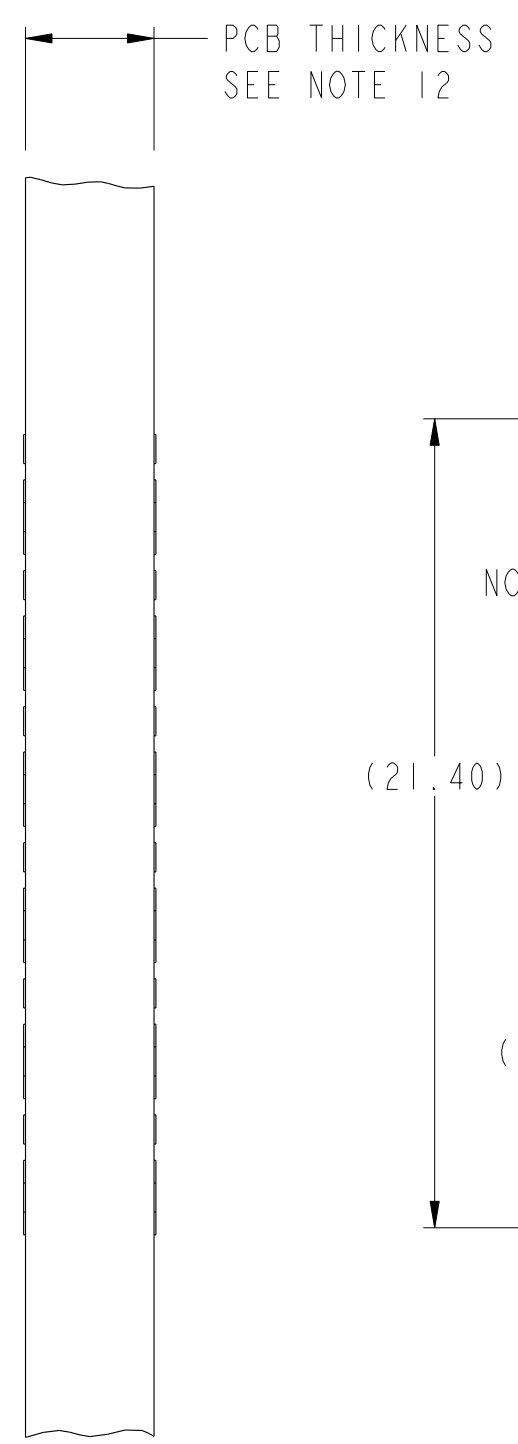
Copyright FCI. FCI

1 2 3 4 5 6 7 8

A B C D E F



RECOMMENDED PCB LAYOUT  
TOP PCB VIEW  
NOTE 8

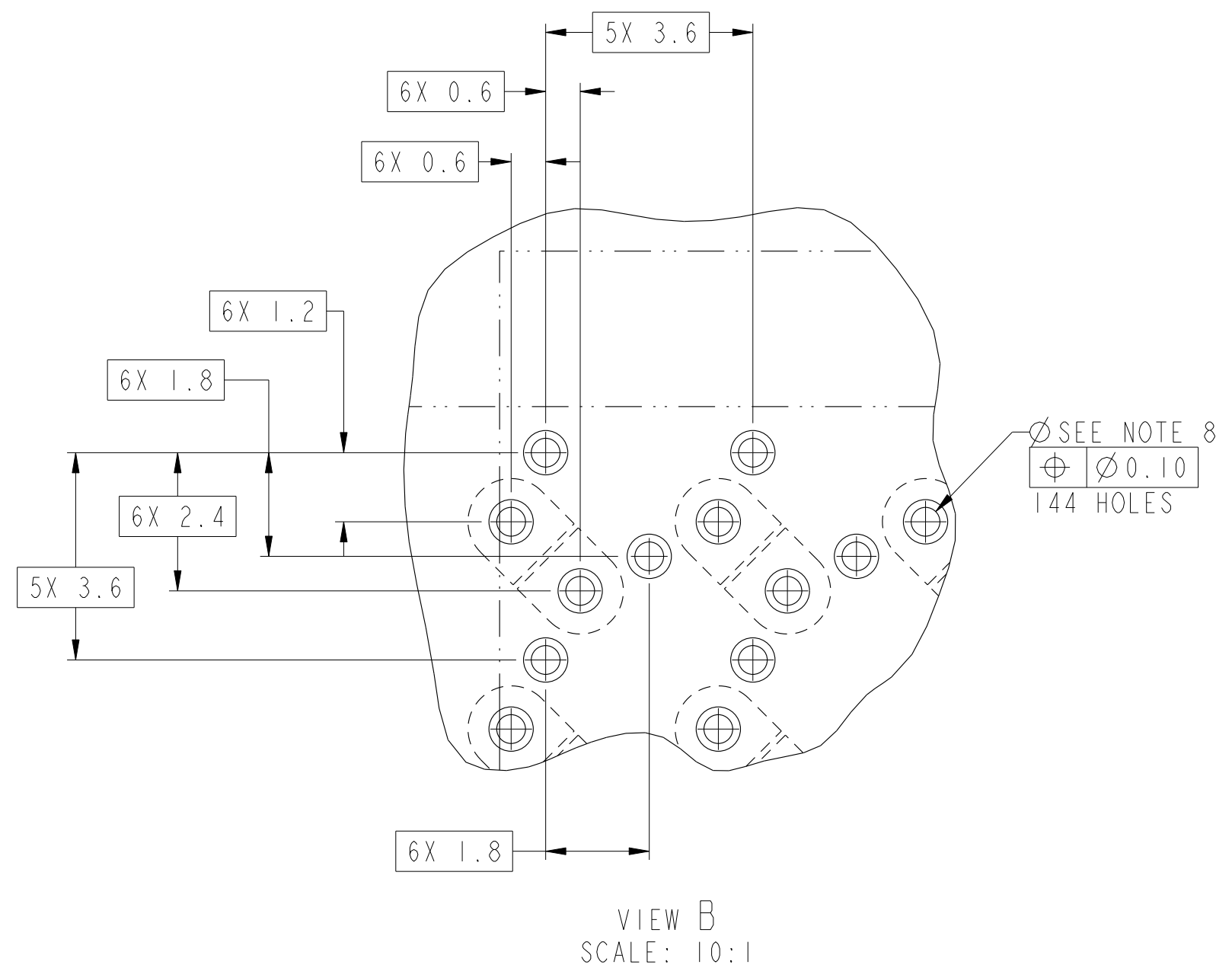
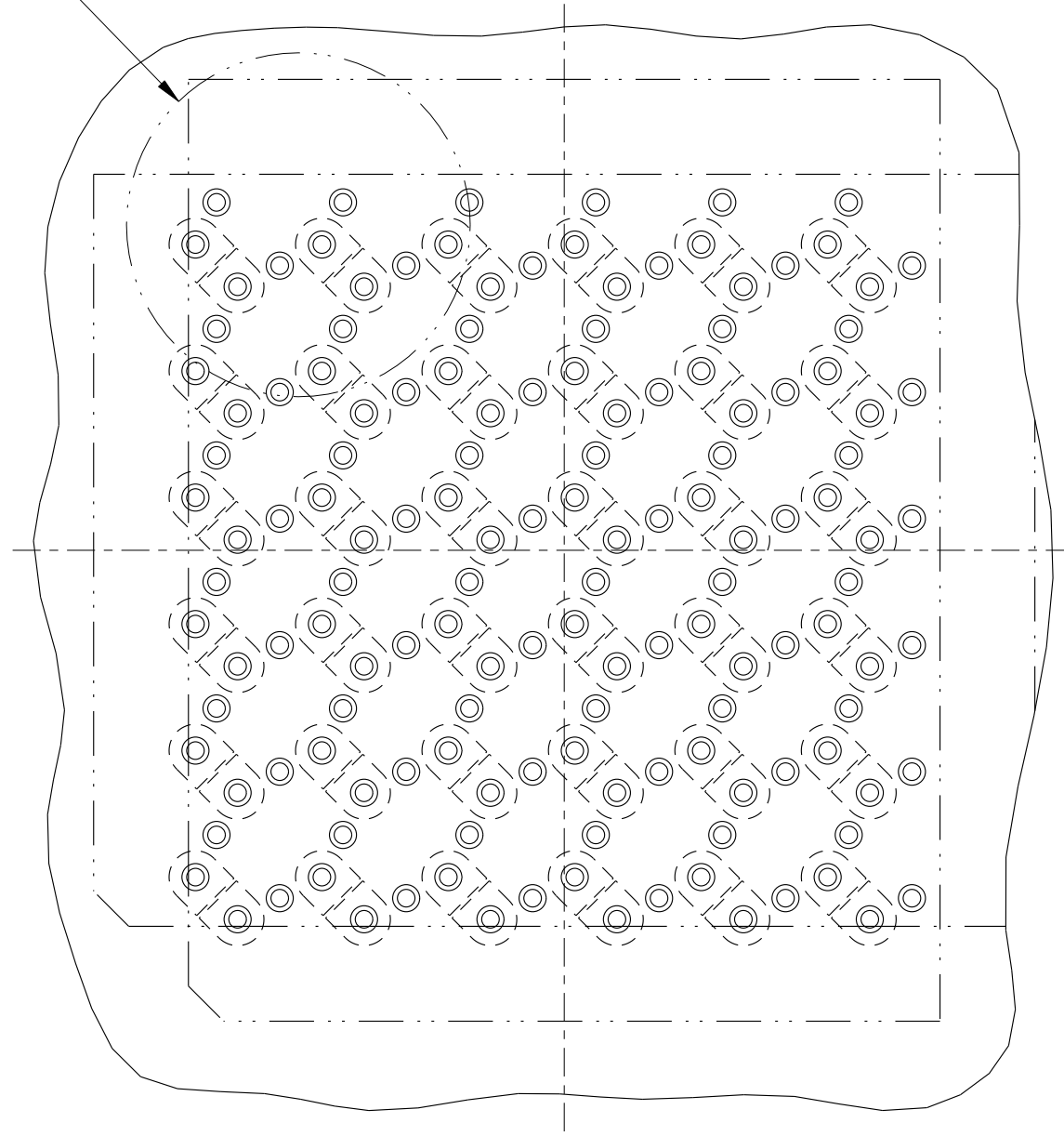


RECOMMENDED PCB LAYOUT  
BOTTOM PCB VIEW

Copyright FCJ

	title ZipLine ORTHOGONAL VERT HDR 6 PR, 6 IMLA, 3.6mm PITCH, 21.6mm	dwg no 10078557	Rev. A
	catalog no -	CUSTOMER	sheet 2 of 4

DETAIL B



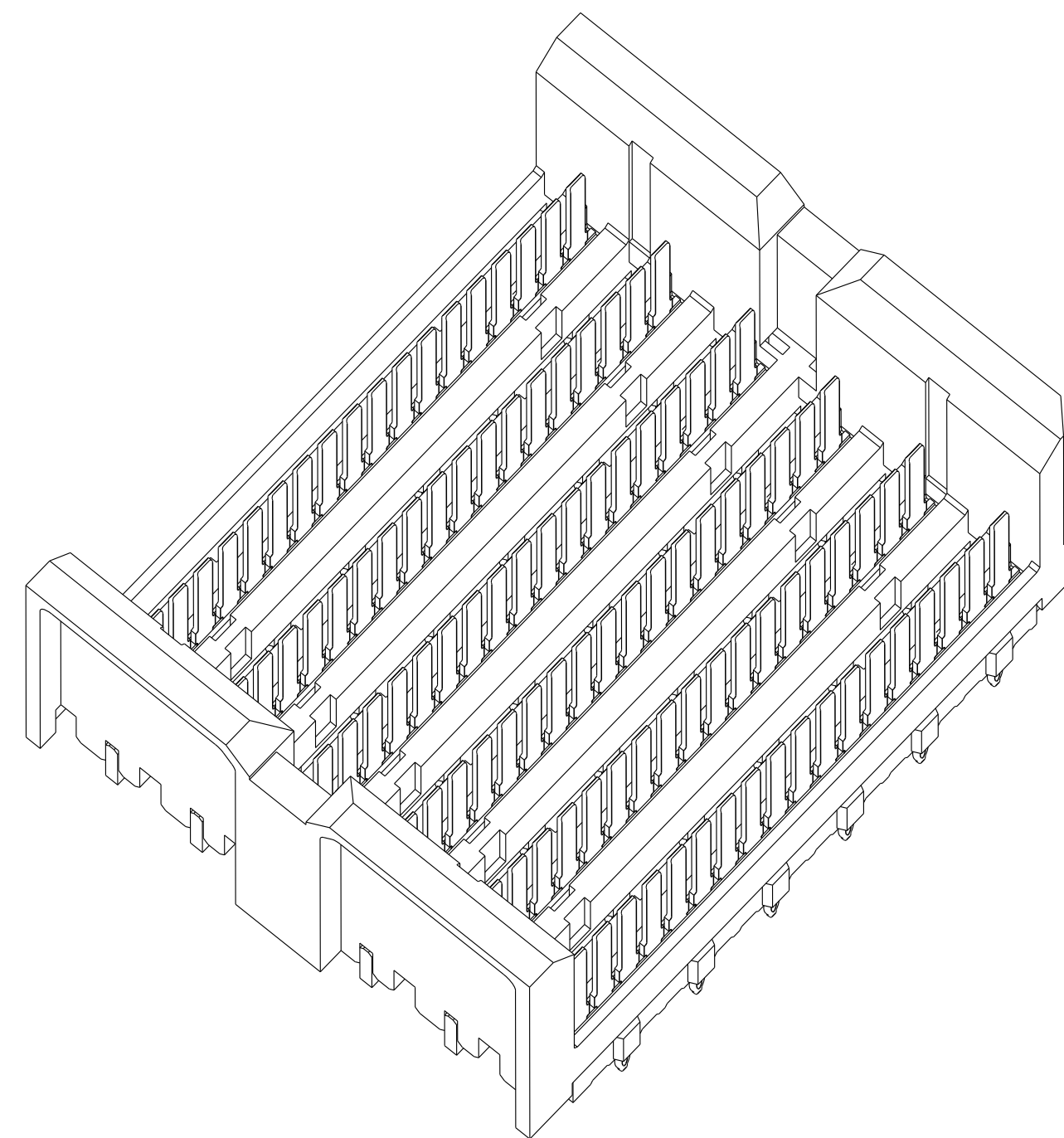
Copyright FCJ.  
 FCJ

	title ZipLine ORTHOGONAL VERT HDR 6 PR, 6 IMLA, 3.6mm PITCH, 21.6mm	dwg no 10078557	Rev. A
	catalog no -	CUSTOMER	sheet 3 of 4

PART NUMBER	PRESS-FIT TAIL PLATING TYPE
10078557-101	TIN LEAD ALLOY OVER NICKEL
10078557-101LF	TIN OVER NICKEL (LEAD FREE)

NOTES:

1. CONNECTOR MATERIALS:  
HOUSING: HIGH TEMP THERMOPLASTIC, BLACK, UL94V-0  
IMLA PLASTIC: HIGH TEMP THERMOPLASTIC, BLACK, UL94V-0  
CONTACT: COPPER ALLOY
2. CONTACT PLATING:  
SEPARABLE INTERFACE: PERFORMANCE-BASED PLATING, QUALIFIED TO MEET THE REQUIREMENTS OF FCI PRODUCT SPECIFICATION GS-12-452 INCLUDING TELCORDIA GR-1217-CORE (NOVEMBER 1995) CENTRAL OFFICE TEST SEQUENCE  
PRESS-FIT TAILS: SEE TABLE
3. PRODUCT SPECIFICATION: GS-12-452.
4. APPLICATION SPECIFICATION: GS-20-094.
5. PRODUCT MARKING, (PART NUMBER & LOT CODE), ON THESE SURFACES.
6. FOR NON-ORTHOGONAL APPLICATIONS, THE MINIMUM CENTERLINE SPACING BETWEEN ADJACENT MODULES IS 21.6mm.
7. THERE IS NO GROUND BUSSING WITHIN THE HEADER CONNECTOR. HOWEVER, POSITIONS R1, R2, R3, R4, R5, & R6 OF THE MATING RECEPTACLE ARE BUSSED. THESE MUST BE ASSIGNED AS GROUNDS.
8. REFER TO CUSTOMER DRAWING 10045979 FOR INFORMATION ON PCB HOLE DIAMETERS AND PLATING OPTIONS.
9. THIS PRODUCT MEETS EUROPEAN UNION DIRECTIVES AND OTHER COUNTRY REGULATIONS AS DESCRIBED IN GS-22-008.
10. THE HOUSING WILL WITHSTAND EXPOSURE TO 260°C PEAK TEMPERATURE FOR 40 SECONDS IN A CONVECTION, INFRA-RED OR VAPOR PHASE REFLOW OVEN.
11. PACKAGING MEETS GS-14-920 LEAD FREE LABELING SPECIFICATION.
12. MINIMUM PCB THICKNESS TO BE 3.5mm FOR ORTHOGONAL APPLICATIONS.
13. CONNECTOR OUTLINE WITH HOUSING POS A1 INDICATOR MAY BE SCREEN PRINTED ONTO CUSTOMER PCB TO BE USED AS A GUIDE FOR MANUAL CONNECTOR PLACEMENT.



10078557-101



title ZipLine ORTHOGONAL VERT HDR  
6 PR, 6 IMLA, 3.6mm PITCH, 21.6mm  
catalog no -

dwg no 10078557  
Rev. A  
CUSTOMER sheet 4 of 4