

THIS DRAWING IS UNPUBLISHED.

RELEASED FOR PUBLICATION

© COPYRIGHT - By -

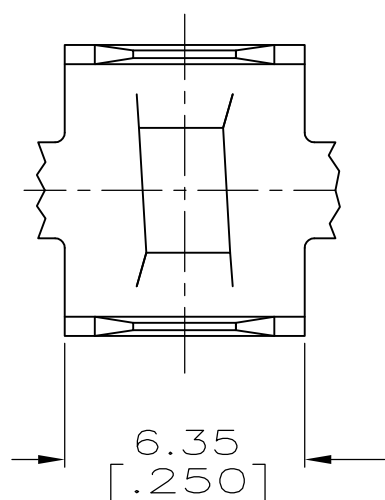
ALL RIGHTS RESERVED.

LOC
AF

DIST
50

REVISIONS

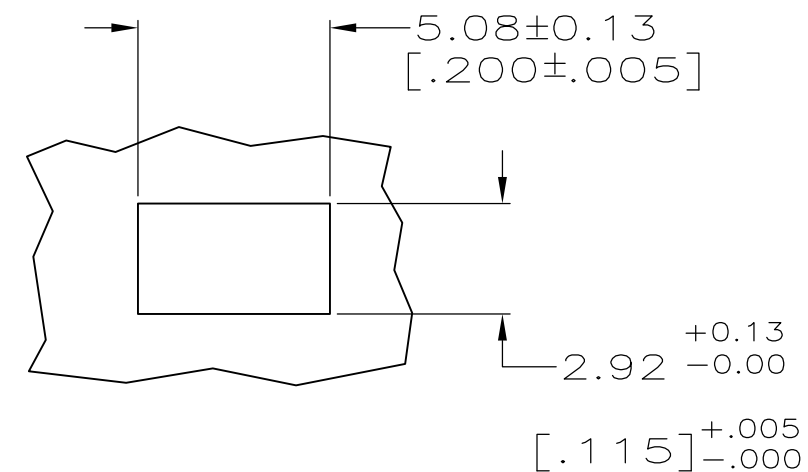
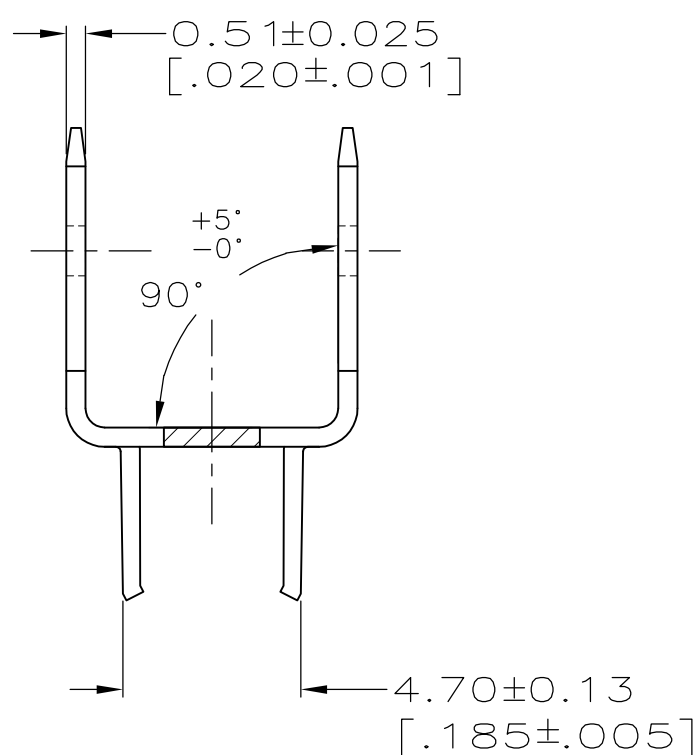
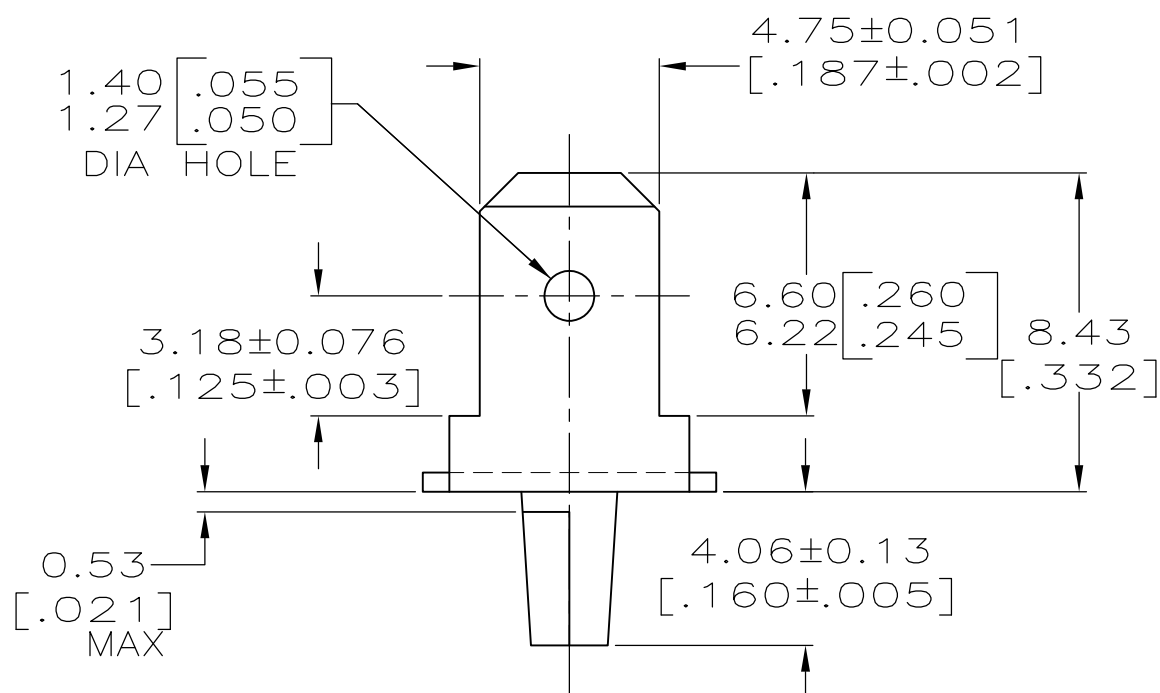
P	LTR	DESCRIPTION	DATE	DWN	APVD
	F	REVISED PER ECR-13-011489	02DEC2013	KH	PD



1 CONTINUOUS STRIP ON REELS.



0.00381 [.000150] MIN PRE-TIN OVER
0.00254 [.000100] MIN COPPER.



HOLE SIZE
FOR 1.57 [.062]
THICK BOARD

63224-1
PART NO.

THIS DRAWING IS A CONTROLLED DOCUMENT.		DWN JR RUTH 2/18/98	STE TE Connectivity		
DIMENSIONS: mm [INCHES]		CHK MS FEHER 2/18/98			
TOLERANCES UNLESS OTHERWISE SPECIFIED:		APVD J WORMAN 2/18/98	NAME TAB, DUAL, FASTON, 4.75 [.187] SERIES		
0 PLC ± -		PRODUCT SPEC	SIZE		
1 PLC ± -		APPLICATION SPEC	CAGE CODE		
2 PLC ± 0.25 [.010]		—	DRAWING NO		
3 PLC ± -		—	RESTRICTED TO		
4 PLC ± -		—	A3 00779 C-63224		
ANGLES ± -		WEIGHT	SCALE		
FINISH		—	5:1		
MATERIAL BRASS		CUSTOMER DRAWING		SHEET 1 OF 1	
2		REV F			