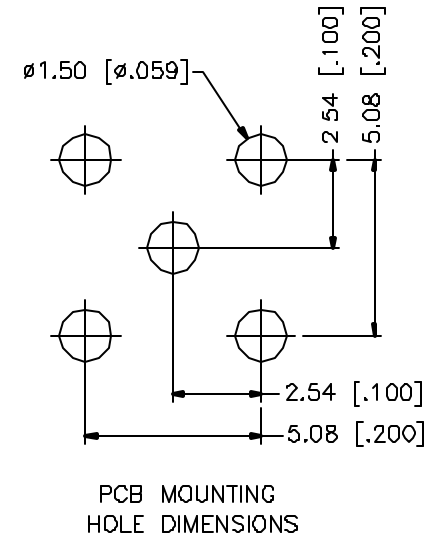
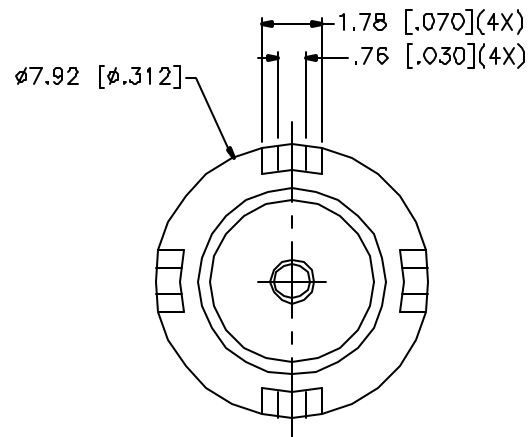
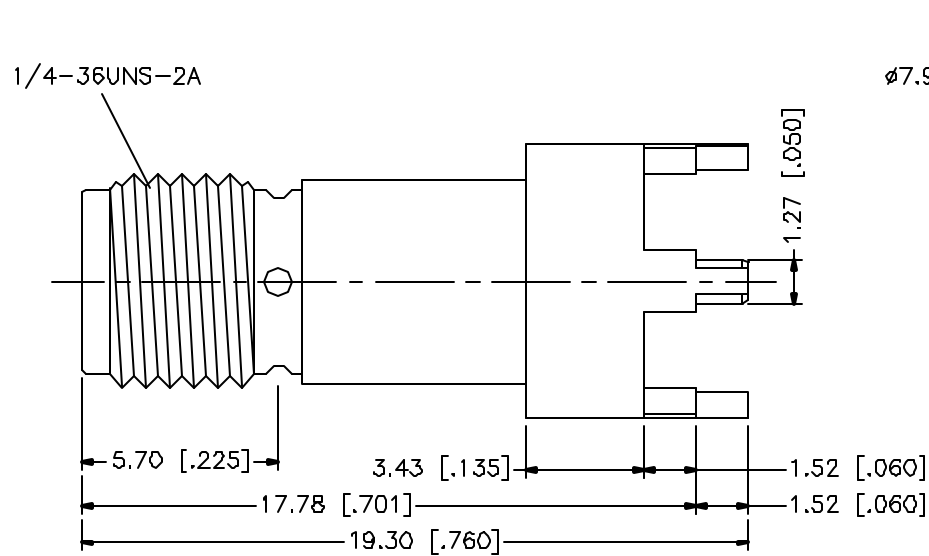



REV.	DATE	DESCRIPTION
NC	05/10/01	INITIAL RELEASE



DESCRIPTION	MATERIAL	FINISH	UNLESS OTHERWISE SPECIFIED DIMENSIONS ARE IN MILLIMETERS	APPROVALS	DATE					
1 BODY	BRASS	GOLD	DIMENSIONS IN [] ARE IN INCHES FOR CUSTOMER REFERENCE ONLY UNLESS OTHERWISE SPECIFIED TOLERANCES FOR MILLIMETERS ARE: 0.5-6 = ± 0.2 6-30 = ± 0.4 30-120 = ± 0.6 120-315 = ± 1 315-1000 = ± 1.6 1000-2000 = ± 2.4	DRAWN	G.R.S.	05/10/01	TITLE SMA P.C. MOUNT JACK - EXTENDED BODY			
2 INSULATOR	TEFLON	NATURAL		CHECKED						
3 CONTACT PIN	BER. COPPER	GOLD		ISSUED			SIZE	FSCM NO.	DWG. NO.	REV.
4							A	99001	132319.DWG	NC
5							SCALE	PART NO.	SHEET	
6							NA	132319	1 OF 1	
7										
8				DO NOT SCALE DRAWING						