

4

3

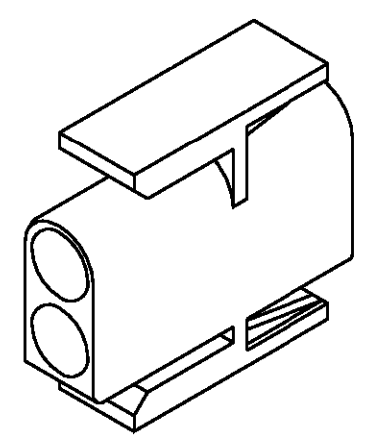
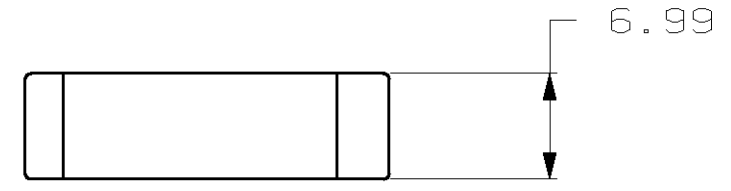
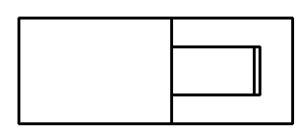
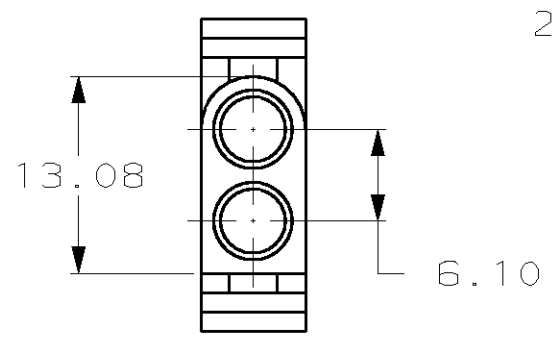
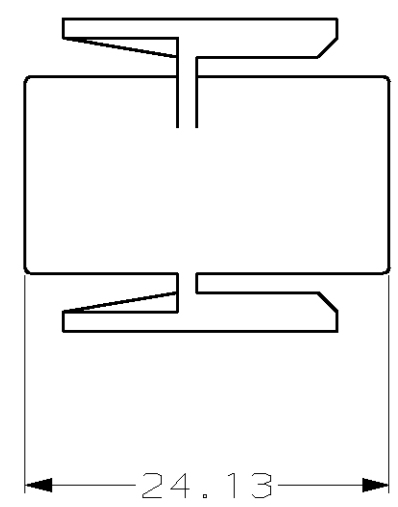
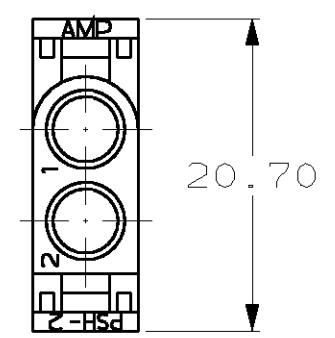
2

1

THIS DRAWING IS UNPUBLISHED. RELEASED FOR PUBLICATION ,19 .
© COPYRIGHT 19 BY AMP INCORPORATED. ALL RIGHTS RESERVED.

LOC	DIST	REVISIONS					
		P	LTR	DESCRIPTION	DATE	DWN	APVD
CM	53		0	RELEASED PER PR CM 99-52	24-AUG-99	KW	js

1. HOUSING HAS A UL ELECTRICAL TEMPERATURE INDEX OF 150° C.
2. TO BE USED WITH APPROPRIATE .140 MATE-N-LOK™ SOCKETS.



OPTIONAL CONSTRUCTION

3-DIMENSIONAL MODEL NTS

794699-1
PART NUMBER

24.13	.950
20.70	.815
13.08	.515
6.99	.275
6.10	.240
3.56	.140
0.13	.005
MM	IN
CONVERSION TABLE	

METRIC

THIS DRAWING IS A CONTROLLED DOCUMENT.		DWN K. WHITAKER 24-AUG-1999	AMP AMP Incorporated Harrisburg, PA 17105-3608												
DIMENSIONS: MM		CHK J. SCHLUNZ 24-AUG-1999													
TOLERANCES UNLESS OTHERWISE SPECIFIED:		APVD J. SCHLUNZ 24-AUG-1999	NAME PLUG, 2 CIRCUIT, .140 MATE-N-LOK™												
<table border="0"> <tr><td>0 PLC</td><td>±-</td></tr> <tr><td>1 PLC</td><td>±-</td></tr> <tr><td>2 PLC</td><td>±0.13</td></tr> <tr><td>3 PLC</td><td>±-</td></tr> <tr><td>4 PLC</td><td>±-</td></tr> <tr><td>ANGLES</td><td>±0°30'</td></tr> </table>		0 PLC	±-	1 PLC	±-	2 PLC	±0.13	3 PLC	±-	4 PLC	±-	ANGLES	±0°30'	PRODUCT SPEC -	SIZE A3
0 PLC	±-														
1 PLC	±-														
2 PLC	±0.13														
3 PLC	±-														
4 PLC	±-														
ANGLES	±0°30'														
MATERIAL NYLON, UL 94V-2, BLACK		APPLICATION SPEC -	CAGE CODE 00779												
FINISH -		WEIGHT -	DRAWING NO C- 794699												
CUSTOMER DRAWING			RESTRICTED TO -												
SCALE 2:1			SHEET 1 OF 1												
REV 0															