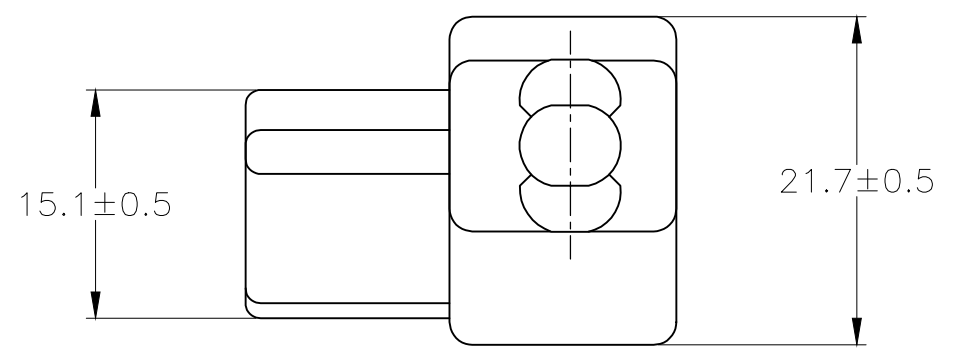
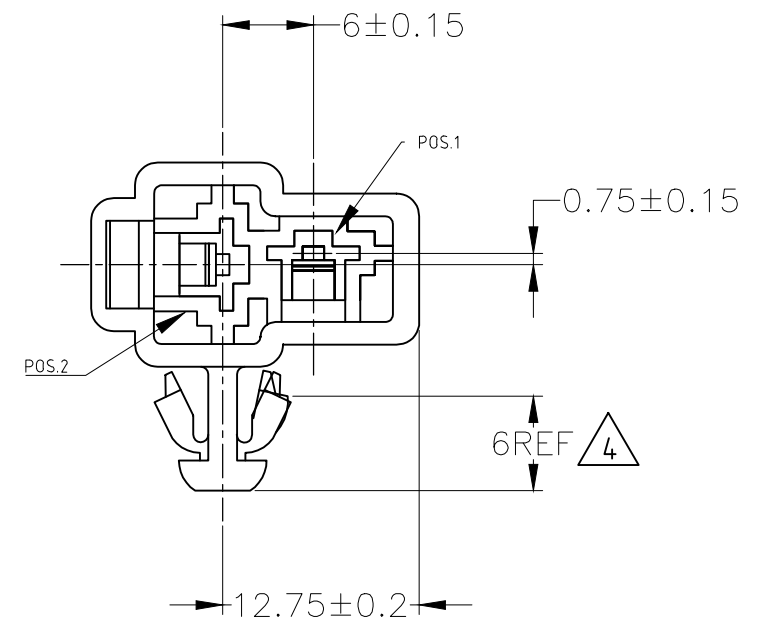
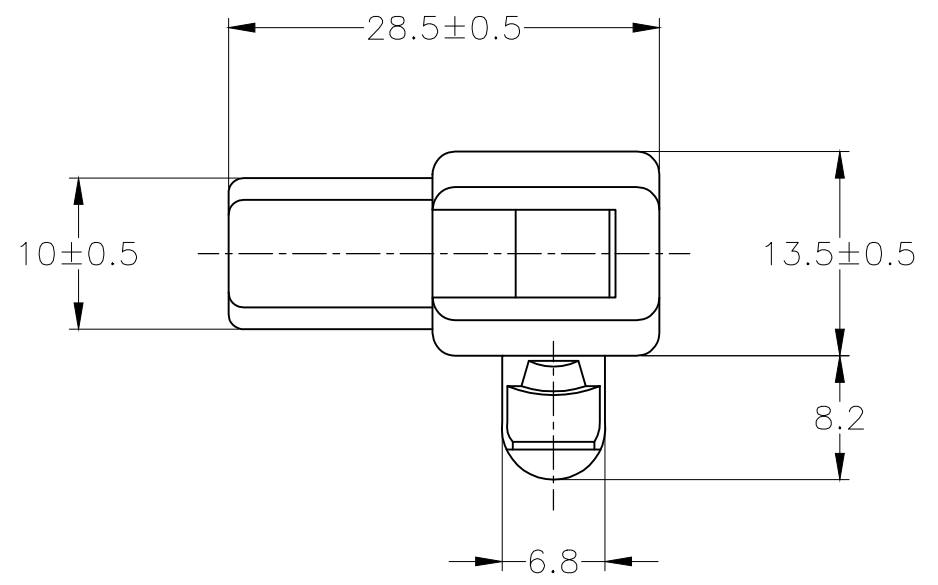


THIS DRAWING IS UNPUBLISHED. RELEASED FOR PUBLICATION
 © COPYRIGHT BY TYCO ELECTRONICS CORPORATION. ALL RIGHTS RESERVED.

LOC	DIST	REVISIONS					
J	—	P	LTR	DESCRIPTION	DATE	DWN	APVD
			C3	REVISED PER ECR-20-005366	21APR2020	SS	DL



- 1. 嵌合する相手ハウジングは型番172130
- 2. 使用端子は型番170340, 170341, 170349
- 3. 適用パネル穴径7.0mm 板厚0.65~1.2mm
- △4 パネルに取付けた時のパネル内側に必要スペース
- 5. 適用製品規格番号; 108-5153

- 1. THE MATING COUNTERPART NUMBER 172130
- 2. APPLIED CONTACT; PN 170340, 170341, 170349
- 3. APPLICABLE PANEL; HOLD DIMENSION 7.0mm; THICKNESS 0.65~1.2mm
- △4 A SPACING REQUIRED INSIDE OF THE PANEL FOR MOUNTING PANEL
- 5. APPLICABLE PRODUCT SPEC NO. 108-5153
- △6 OBSOLETE PARTS

△6	淡灰 LIGHT GRAY	—6-172383-6—
	桃 PINK	1-172383-0
△6	赤 RED	—172383-9—
△6	灰 GRAY	—172383-6—
	青 BLUE	172383-5
△6	茶 BROWN	—172383-3—
	黒 BLACK	172383-2
	自然色 NATURAL	172383-1
	色 COLOR	型番 PART NUMBER

TOLERANCE UNLESS OTHERWISE SPECIFIED: 一般公差

0 < x ≤ 10	: ±0.2
10 < x ≤ 30	: ±0.25
30 < x ≤ 100	: ±0.3
ANGLE ; 角度	: ±3°

THIS DRAWING IS A CONTROLLED DOCUMENT.		DWN T.SHINOHARA 21OCT03	TE TE Connectivity	
DIMENSIONS: 単位: 耗 MM		CHK K.BETSUI 21OCT03		
TOLERANCES UNLESS OTHERWISE SPECIFIED: 一般公差		APVD K.BETSUI 21OCT03	NAME 名称	
0 PLC ±- 1 PLC ±- 2 PLC ±- 3 PLC ±- 4 PLC ±- ANGLES ±-		PRODUCT SPEC 製品規格 SEE NOTE 5	250 SERIES HOUSING LANCE CONNECTOR	
MATERIAL 材料 6/6 ナイロン 6/6 NYLON		APPLICATION SPEC 取付適用規格	2 POSITION CAP HOUSING	
FINISH 仕上 色 ; 表参照 COLOR; SEE TABLE		WEIGHT -	PANEL MOUNT TYPE	
		SIZE A3	CAGE CODE 00779	DRAWING NO 番号 G-172383
		CUSTOMER DRAWING		RESTRICTED TO -
		SCALE 尺度 2:1	SHEET 1 OF 1	REV C3