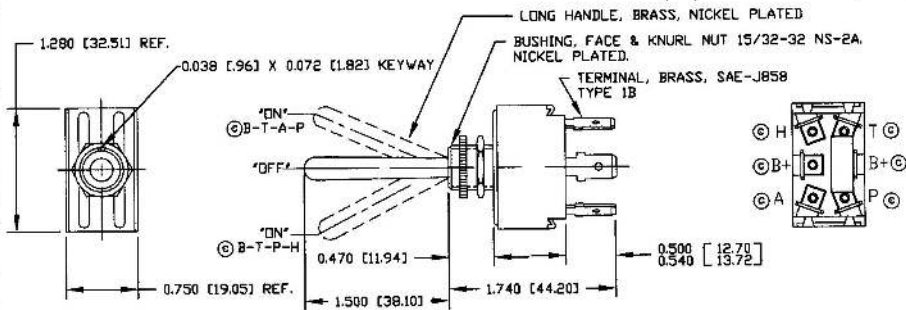


Revision Control Record

| Rev. | Description of Change | ECN No. | Date |
|------|-----------------------|---------|----------|
| C | ADD POSITIONS NOTES | 04299 | 08/13/04 |
| | | | |
| | | | |
| | | | |



- NOTES:
 1. 25 AMPS, 12 VOLTS D.C., EXTRA HEAVY DUTY
 2. SILVER CONTACT SURFACES
 ③ 3. ALL DIMENSIONS ARE REFERENCE

TOLERANCES - Unless otherwise specifically stated, the following are to be used unless noted:
 * 2-place Decimal Dimensions - $\pm .02$
 * 3-place Decimal Dimensions - $\pm .005$
 * Angles - Dimension to ± 1.0 Deg
 * Metric: Refer to equivalent English Dimension Tolerance
 *** NOTE: All spacings are Non-Dimensional ***

DIMENSIONAL DATA - All dimensions are expressed in inches except those shown in brackets [mm] as expressed in millimeters.

"COPY" OF ST. ANDREW CO. - Non-Tolerance & Reference Dimension shown when for identification purposes only.

CHARACTER BY CONFORMANCE - In Engineering Drawing and the finished as purchased item, as prep factory in Cole Horse Company and may not be disclosed, re-printed, or in any other way transferred or communicated to any other party without the express written consent of an authorized representative of Cole Horse Company.

DESIGN CONTROL - It is the responsibility of the individual user/manufacturer to ensure that the actual design/production and agrees with the contents hereof of the Controlled Document (Master Drawing). This is a NON-CONTROLLED DOCUMENT unless altered as specifically noted.

DO NOT SCALE - DIMENSIONS AND DATA may occur during printing/reproduction.

Special Characteristics:

- ⊠ Critical Characteristic, relating to safety and/or Regulatory Compliance
- X Significant Characteristic relating to Process Control (SPC)

- Ⓞ Key Characteristics (MIL-STD-1916) (Form - PK - Position as defined by Cole Horse Company and the Customer)

(Note that the identification of any characteristic as "MIL-STD-1916" does not) give the requirement to all specified dimensions & tolerances used for this.)



Cole Horse Co.
 20 Old Colony Ave., South Boston, MA, 02127
 Phone 917-368-2100 Website www.colehorse.com

Description: TOGGLE SWITCH
 ON-OFF-ON, D.P.D.T.

Drawing / Part No.: 55064
Current Rev.: C

Used On: EX15335A Scale: 1:1

Drawn By: RW Date: 05/04/70

Responsible Engineer:

Pg. 1 of 1