

PART NAME: KNOB

SCALE: 1:1

DATE: 11/15/96

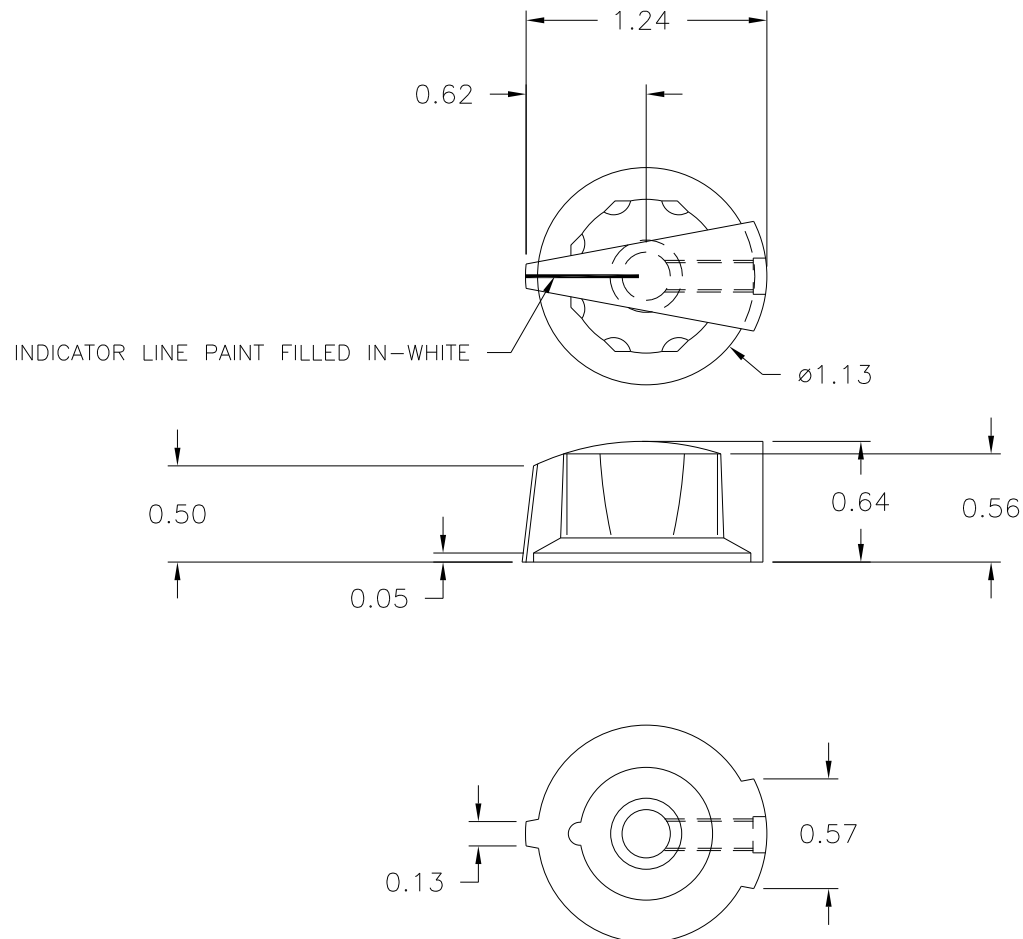
DR. BY HD

DAVIES MOLDING COMPANY  
CAROL STREAM, ILLINOIS 60188

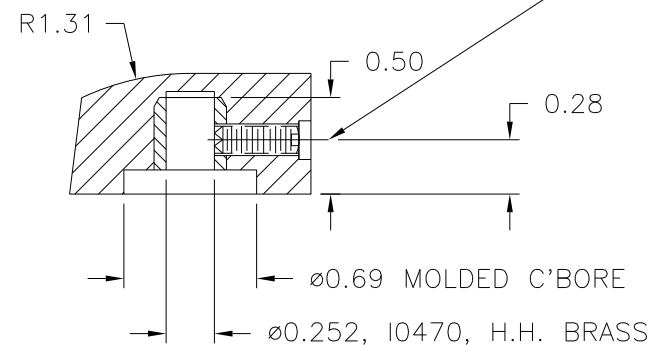
P/N 1919AE

BASE PART 1919-02

SET SCREW I0022

THIS DRAWING IS THE PROPERTY OF DAVIES MOLDING COMPANY, IS SUBMITTED SOLELY AS A DESIGN OR ENGINEERING PROJECT.  
WE ACCEPT NO RESPONSIBILITY WHATSOEVER FOR THE PRACTICAL APPLICATION OF THE PIECES MADE TO THIS DESIGN.

#16 DRILL X 1/16 C'SINK,  
#28 DRILL, #8-32 TAP,  
#8-32 X 7/16 LG. CUP POINTED  
SLOTTED SET SCREW,  
I0022, (1) REQ'D



MATERIAL : G.P. PHENOLIC (B11)  
COLOR : BLACK

TOLERANCES: UNLESS OTHERWISE SPECIFIED	DO NOT SCALE DRAWING			
DECIMALS: X.XXX $\pm$ .005 X.XX $\pm$ .015	MM: X.XX $\pm$ 0.15MM X.X $\pm$ 0.4MM	-	UPDATED TOOLBOX	JAM 10/22/02
FRACTIONS $\pm$ 1/64	ANG. $\pm$ 1°	CHANGES		