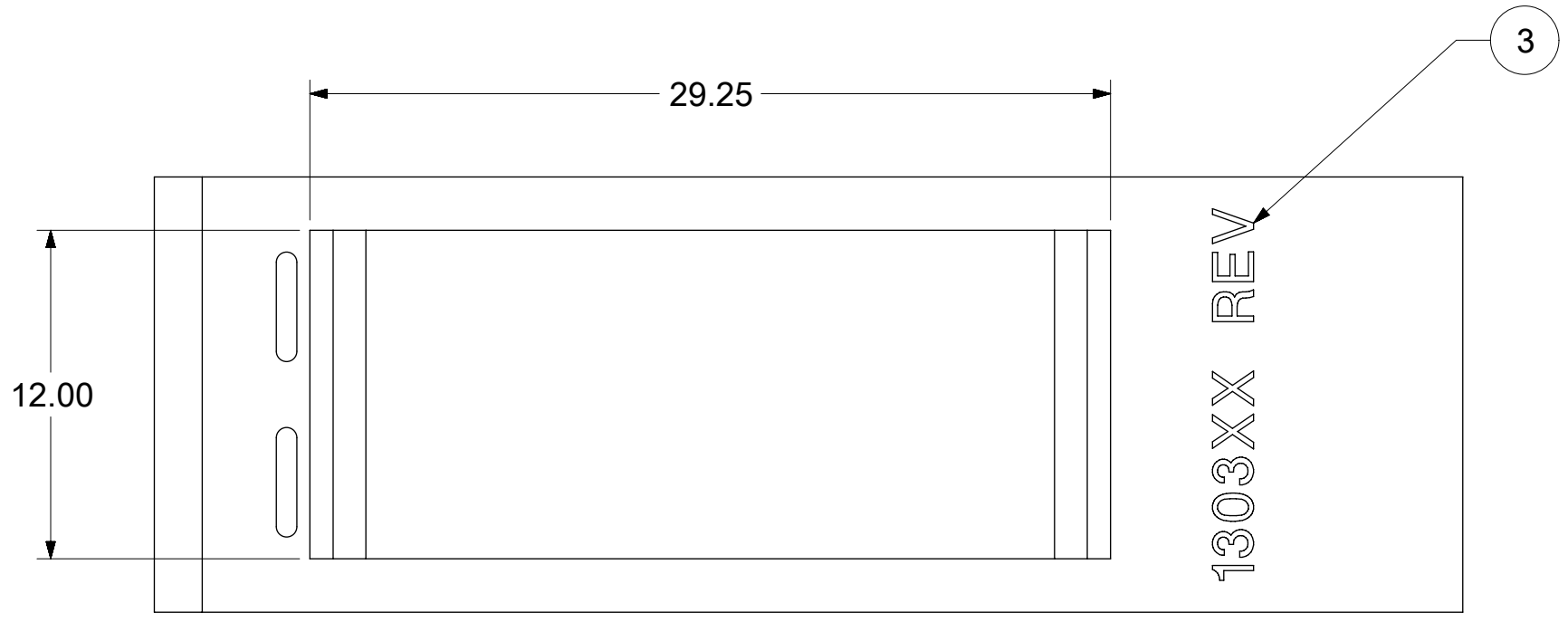
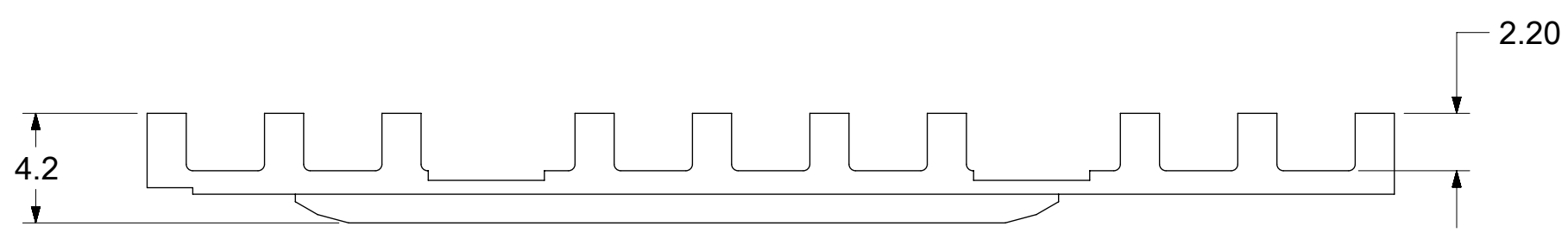
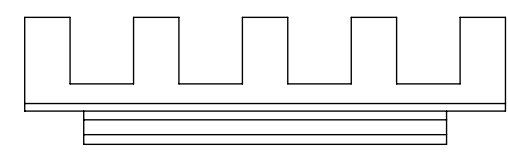
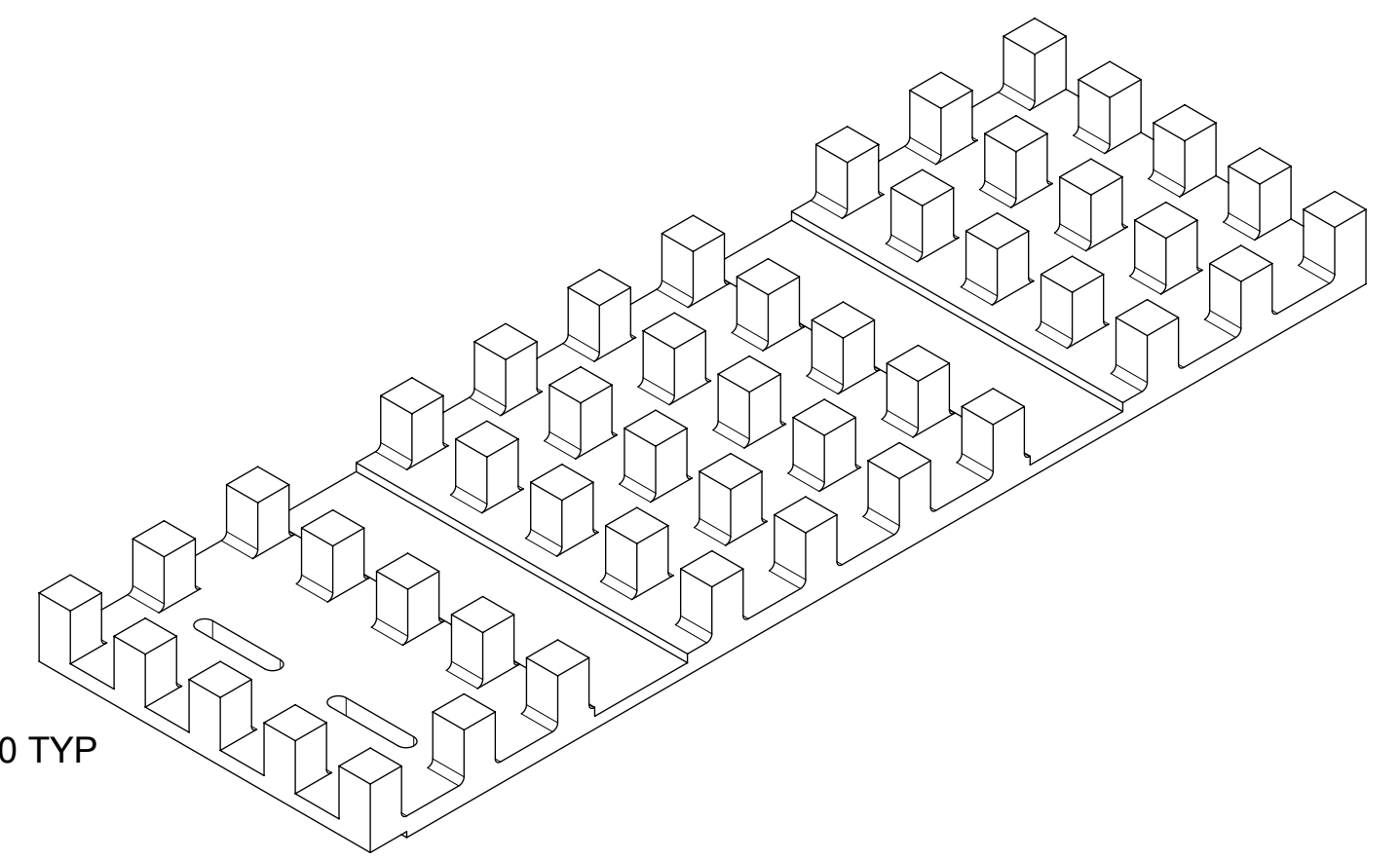
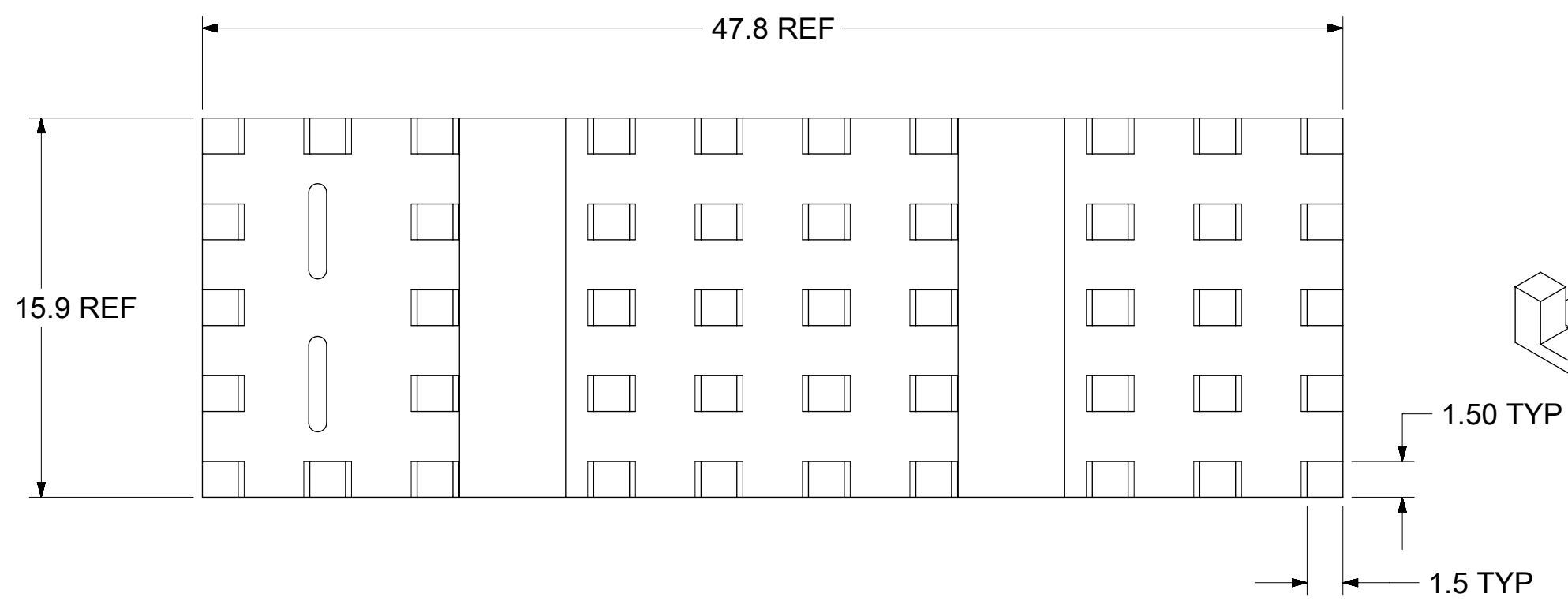


1000130338




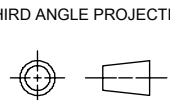
1303XX REV

- NOTES:
1. MATERIAL: NICKEL PLATED ALUMINUM
  2. PACKAGE: TRAY
  3. PART NUMBER (LAST SIX DIGITS) AND REV. TEXT SIZE WIDTH 1.5mm LASER ETCH OR INK JET REFER TO MODEL FOR POSITION FOR INTERNAL USE.
  4. NO RoHS EXEMPTIONS

THIS DRAWING CONTAINS INFORMATION THAT IS PROPRIETARY TO MOLEX ELECTRONIC TECHNOLOGIES, LLC AND SHOULD NOT BE USED WITHOUT WRITTEN PERMISSION											
SEE REVISION TABLE EC NO: 119796 DRWN: THSU CHKD: EWANG07 REV / APPR: RCHEN08	GENERAL TOLERANCES (UNLESS SPECIFIED)		DIMENSION UNITS	SCALE							
			MM	4:1							
	ANGULAR TOL ± °		DRWN BY	DATE	ZQSFP+ PCI HEAT SINK NO LIGHT PIPE						
	4 PLACES ±		THSU	2017/07/25							
	3 PLACES ±		CHKD BY	DATE	PRODUCT CUSTOMER DRAWING						
2 PLACES ± 0.13		EWANG07	2017/07/25								
1 PLACE ± 0.25		APPR BY	DATE	SERIES		MATERIAL NUMBER		CUSTOMER			
0 PLACES ±		RCHEN08	2017/07/28	100013	1000130338						
DRAFT WHERE APPLICABLE MUST REMAIN WITHIN DIMENSIONS		DRAWING SIZE	THIRD ANGLE PROJECTION		DOCUMENT NUMBER		DOC TYPE	DOC PART	SHEET NUMBER		
		C			1000130338		PSD	ASY	1 OF 2		

REV	DATE	DESCRIPTION
A	2017/07/25	INITIAL RELEASE

THIS DRAWING CONTAINS INFORMATION THAT IS PROPRIETARY TO MOLEX ELECTRONIC TECHNOLOGIES, LLC AND SHOULD NOT BE USED WITHOUT WRITTEN PERMISSION

SEE REVISION TABLE EC NO: 119796 DRWN: THSU CHKD: EWANG07 APPR: RCHEN08 REV: RCHEN08	GENERAL TOLERANCES (UNLESS SPECIFIED)		DIMENSION UNITS MM		SCALE 1:1				
	ANGULAR TOL ± °		DRWN BY THSU		DATE 2017/07/25				
	4 PLACES ±		CHKD BY EWANG07		DATE 2017/07/25		PRODUCT CUSTOMER DRAWING SERIES: 100013 MATERIAL NUMBER: 1000130338 CUSTOMER:		
	3 PLACES ±		APPR BY RCHEN08		DATE 2017/07/28				
	2 PLACES ± 0.13		DRAWING SIZE C		THIRD ANGLE PROJECTION 		DOCUMENT NUMBER: 1000130338 DOC TYPE: PSD DOC PART: ASY SHEET NUMBER: 2 OF 2		
	1 PLACE ± 0.25		DRAFT WHERE APPLICABLE MUST REMAIN WITHIN DIMENSIONS						
0 PLACES ±									