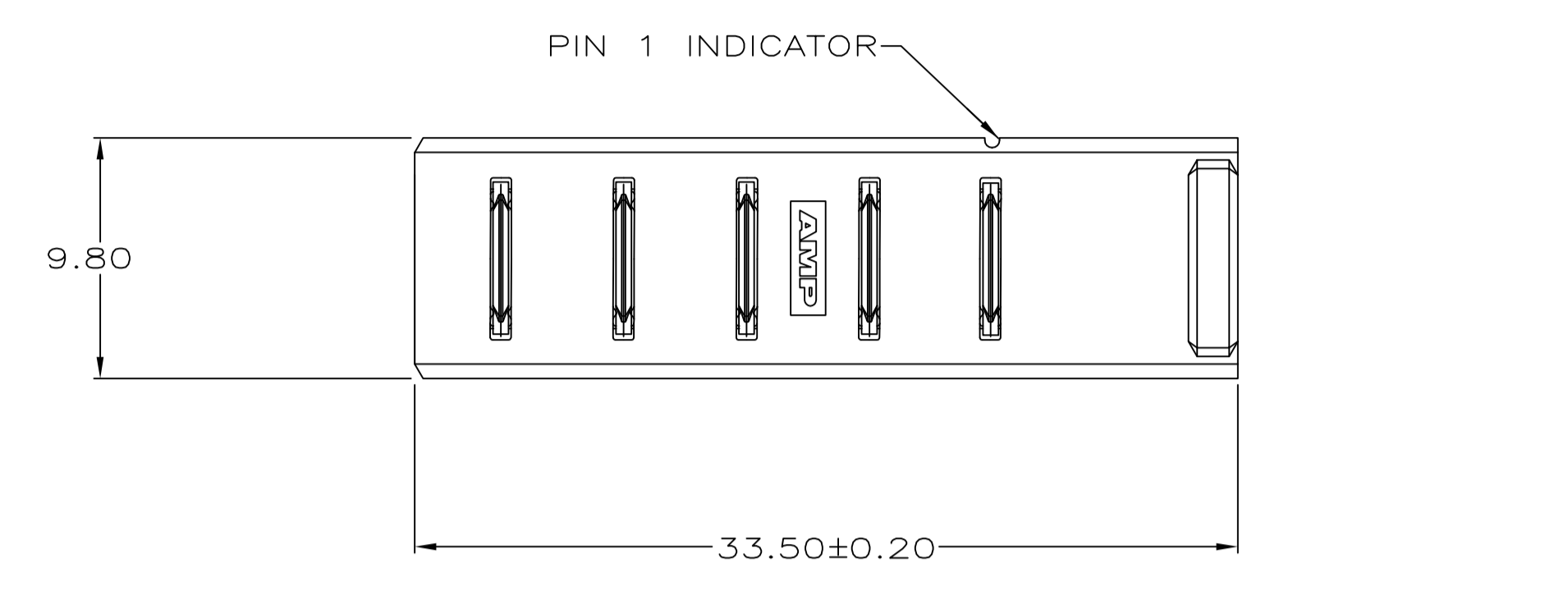
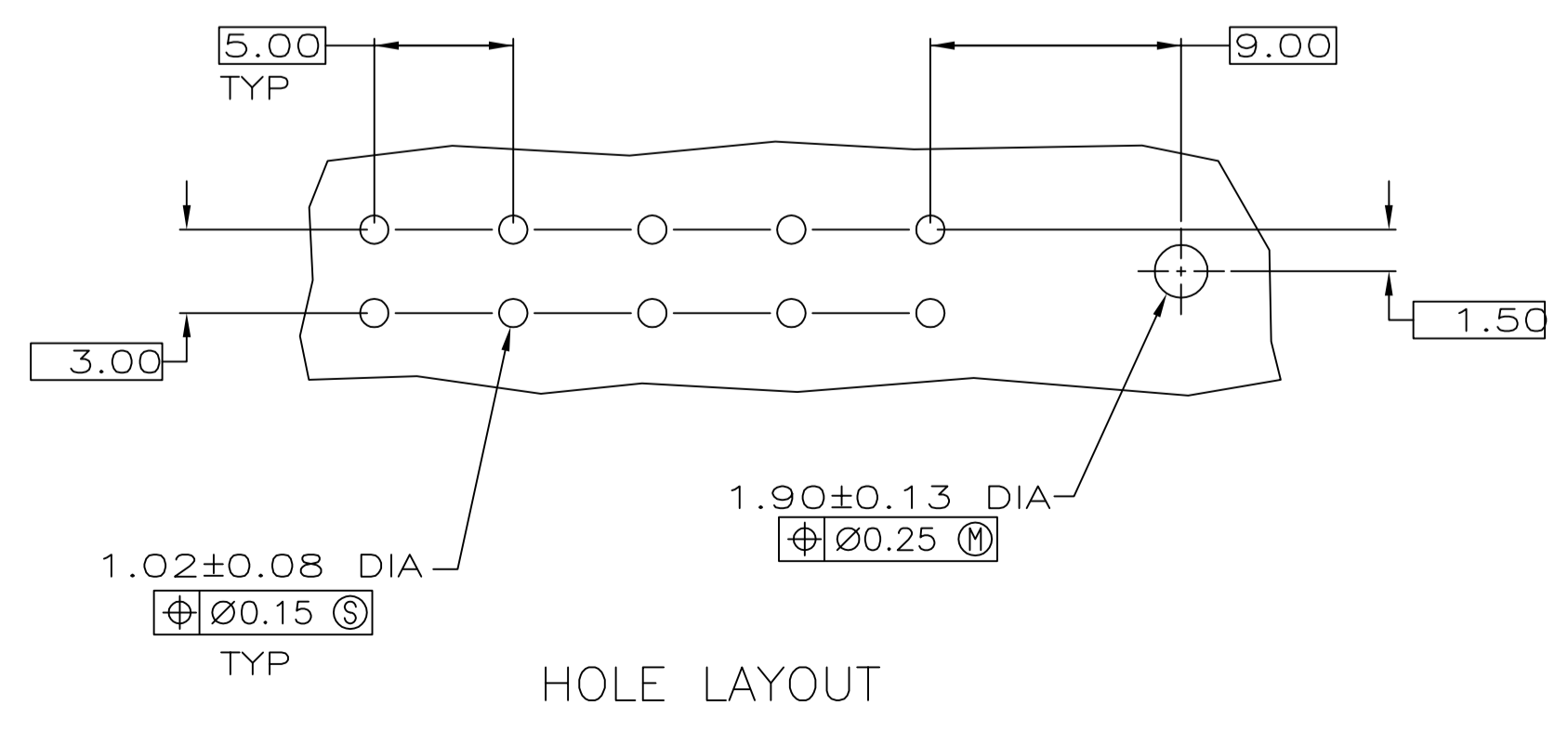
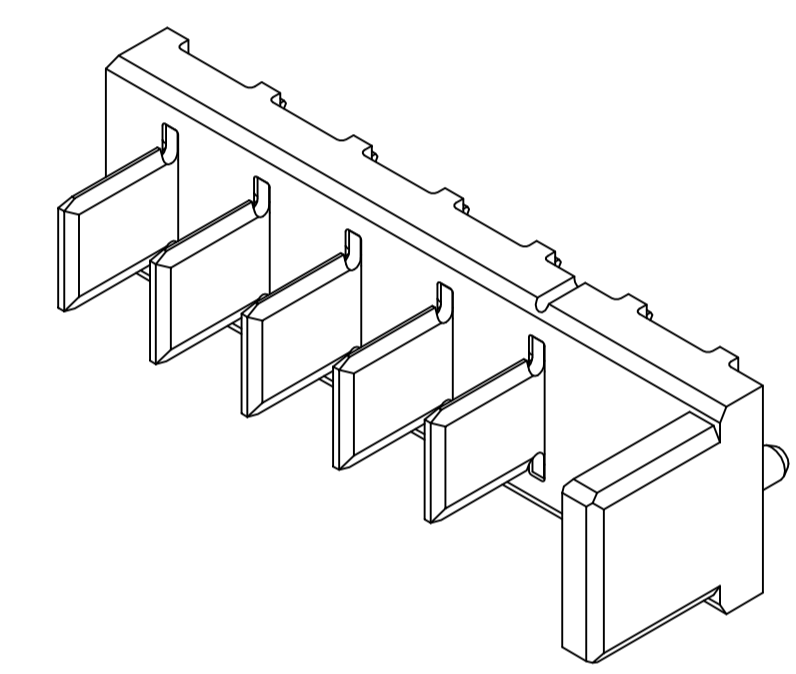
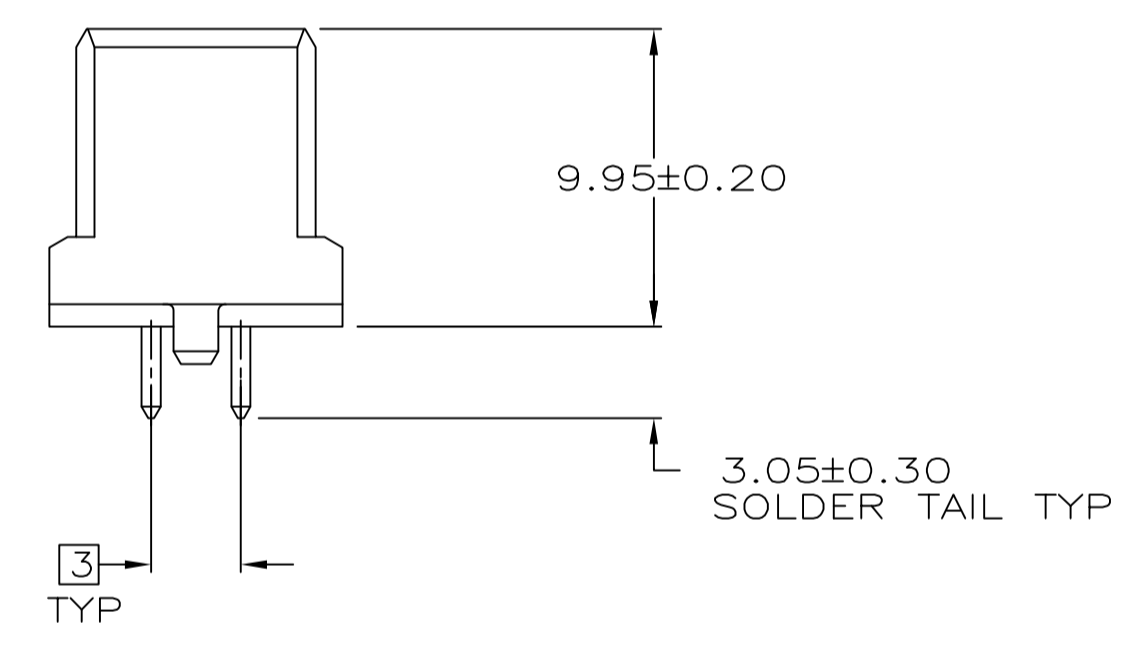
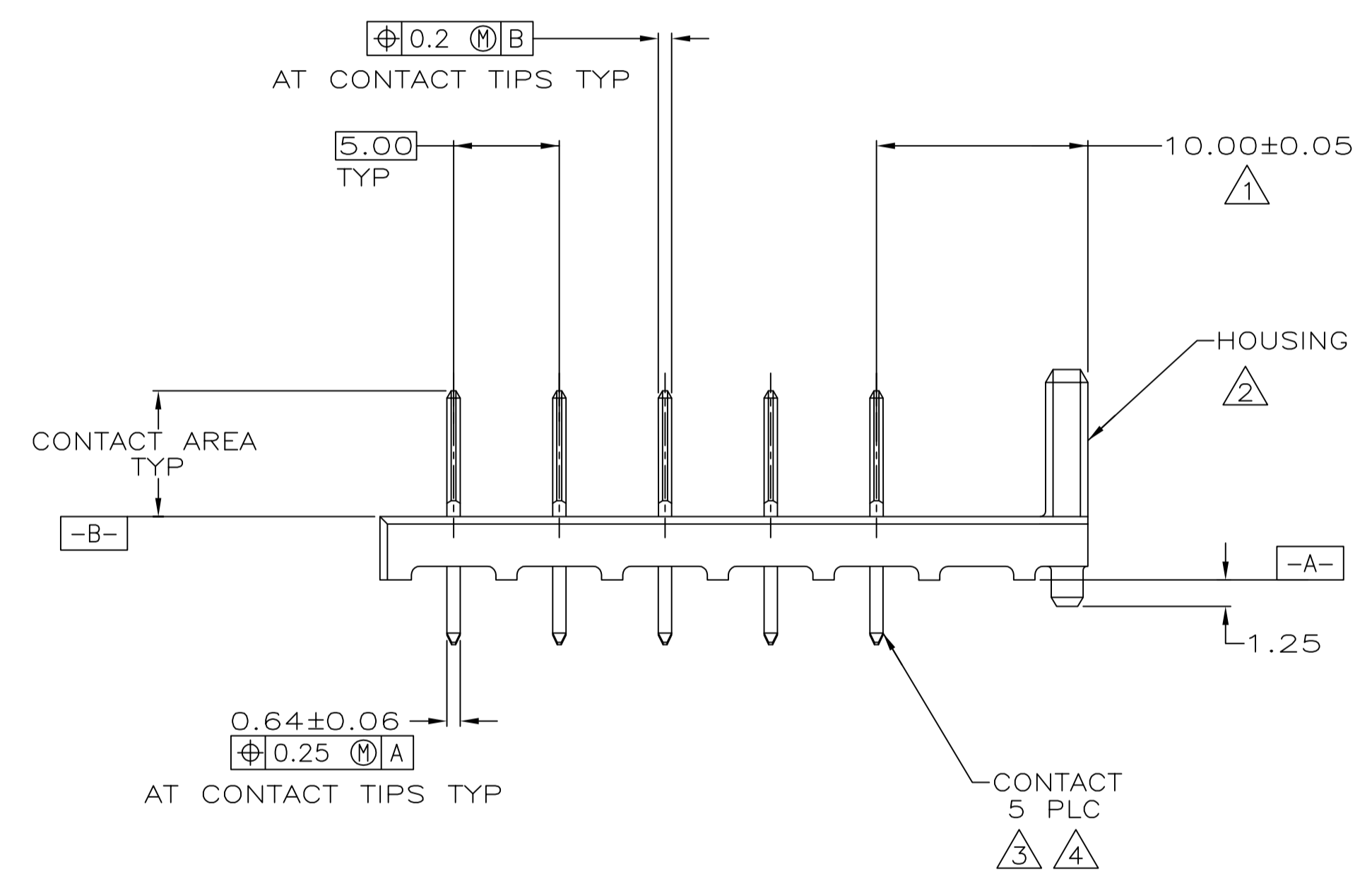


LOC	DIST	REVISIONS			
P	LTR	DESCRIPTION	DATE	DWN	APVD
0		RLSE -1 PER NPR 5303 WAS 94-2197-04-1	03/16/95	SK	SK
A		REV PER EC 0020-965-95	14 SEP 95	DG	RSK
B		REV PER EC 0020-0657-96	12/06/96	JR	RK
D		REVISED PER ECR-10-002761	02/09/10	S.W	S.Y
D1		REVISED PER ECR-14-009533	07/07/14	AP	JHA



- △ COORDINATE DIMENSION APPLIES FROM CENTER OF ACTUAL FEATURE.
- △ HOUSING: POLYPHTHALAMIDE, COLOR BLACK.
- △ 2.54 μm MIN TIN-LEAD ON SOLDER TAIL OVER 1.90 μm MIN NICKEL ALL OVER.
- △ CONTACTS: BRASS



SUPERCEDED BY 5787419-1      787419-1  
 PART NO

<small>THIS DRAWING IS A CONTROLLED DOCUMENT FOR AMP INCORPORATED. IF IT IS SUBJECT TO CHANGE AND THE CONTROLLING ENGINEERING ORGANIZATION SHOULD BE CONTACTED FOR THE LATEST REVISION.</small>		DWN S.KLINE 03/16/95		TE Connectivity	
<small>TOLERANCES UNLESS OTHERWISE SPECIFIED:</small>		CHK S.KLINE 03-17-95		NAME: HEADER ASSEMBLY, VERTICAL, 5mm t. PRODUCT SPEC: 5 POSN, SINGLE KEY, 10.8V, STRAIGHT SOLDER TAILS, BATTERY INTERCONNECT APPLICATION SPEC: 114-24005	
DIMENSIONS: mm 0 PLC ± 1 PLC ± 2 PLC ±0.13 3 PLC ± 4 PLC ± ANGLES ± FINISH ±		APVD S.KLINE 03-17-95	SIZE A1	CAGE CODE 00779	DRAWING NO 787419
MATERIAL SEE CALLOUTS		WEIGHT -	SCALE 4:1	SHEET 1	REV 01