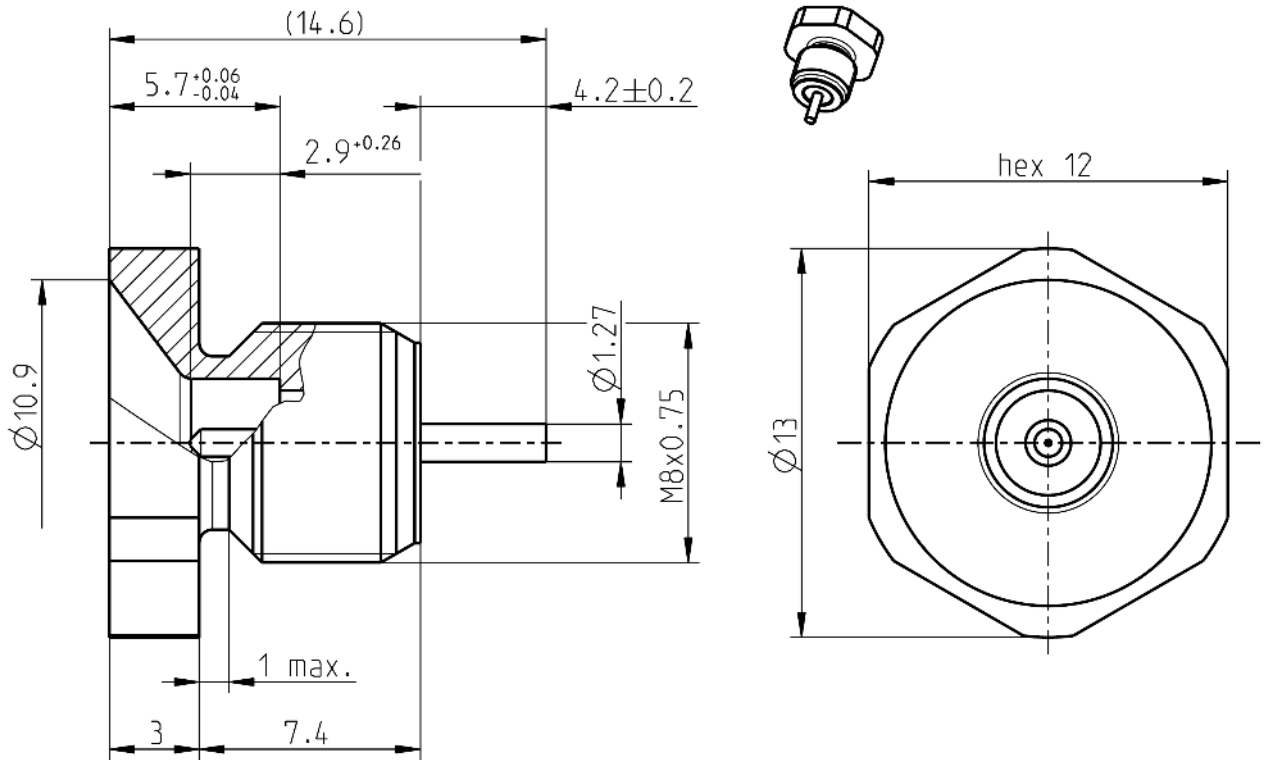


TECHNICAL DATA SHEET

Rosenberger

P-SMP BULKHEAD PLUG
SMOOTH BORE

119S64A-500N5



All dimensions are in mm; tolerances acc. to ISO 2768 m-H

Interface

According to

Rosenberger P-SMP

Documents

Panel piercing

B 66c

Material and plating

Connector parts

Center contact
Outer contact
Dielectric

Material

Brass
Brass
PTFE

Plating

AuroDur®, gold plated
Flash white bronze over silver(e.g. Optargen®)

TECHNICAL DATA SHEET**Rosenberger****P-SMP BULKHEAD PLUG
SMOOTH BORE****119S64A-500N5****Electrical data**

| | |
|---|---|
| Impedance | 50 Ω |
| Frequency | DC to 10 GHz |
| Return loss | ≥ 30 dB, DC to 4 GHz ≥ 25 dB, 4 to 6 GHz |
| Insertion loss | ≤ 0.03 x √f(GHz) dB |
| Insulation resistance | ≥ 5 GΩ |
| Center contact resistance | ≤ 3.0 mΩ |
| Outer contact resistance | ≤ 2.0 mΩ |
| Test voltage (at sea level) | 1000 V rms |
| Working voltage (at sea level) | 480 V rms |
| Power handling (at 20 °C, sea level) | ≤ 200 W @ 2.2 GHz |
| Intermodulation (3 rd order) | ≥ 160 dBc (2 x 43 dBm) |

Mechanical data

| | |
|----------------------------|------------|
| Mating cycles | ≥ 1000 |
| Center contact captivation | ≥ 7 N |
| Engagement force | 10 N max. |
| Disengagement force | 2.2 N min. |

Environmental data

| | |
|-----------------------------|---|
| Temperature range | -65°C to +165°C |
| Rapid change of temperature | IEC 60169-1, Sub-clause 16.4 (-65°C to +165°C) |
| Vibration | IEC 60068-2-64 random |
| Shock | IEC 60068-2-27 (half-sine) |
| High temperature endurance | IEC 60169-1, Sub-clause 18 (+165°C, 1000 hours) |
| Max. soldering temperature | IEC 61760-1, +260°C for 10 sec. |
| 2002/95/EC (RoHS) | compliant |

Tooling

N/A

Suitable cables

N/A

Weight

Weight 4.0 g/pc

While the information has been carefully compiled to the best of our knowledge, nothing is intended as representation or warranty on our part and no statement herein shall be construed as recommendation to infringe existing patents. In the effort to improve our products, we reserve the right to make changes judged to be necessary.

| Draft | Date | Approved | Date | Rev. | Engineering change number | Name | Date |
|--------------|----------|--------------|----------|------|---------------------------|------------|----------|
| Huppenberger | 14/12/10 | E_Schwangler | 30.09.14 | d00 | 14-1379 | C_Vitzthum | 30.09.14 |

Rosenberger Hochfrequenztechnik GmbH & Co. KG
P.O.Box 1260 D-84526 Tittmoning Germany
www.rosenberger.de

Tel.: +49 8684 18-0
email: info@rosenberger.de

Page

2 / 2

Mouser Electronics

Authorized Distributor

Click to View Pricing, Inventory, Delivery & Lifecycle Information:

[Rosenberger:](#)

[119S64A-500N5](#)