

ASSEMBLY DESCRIPTION	ASSEMBLY PART NUMBER	COMPONENT							BLOCKED TERMINALS																	STATUS	COMMENTS																																																																										
		THE PRESENCE OF AN ABBREVIATION INDICATES THE PRESENCE OF THAT COMPONENT.							CAVITY WITH A NUMBER INDICATES BLOCKED TERMINAL POSITION CAVITY WITHOUT A NUMBER INDICATES OPEN TERMINAL POSITION																																																																																												
		OUTER HOUSING KEY/COLOR	INNER HOUSING	PLR	LEVER	LEVER ARM (x/2)	MAT SEAL	RING SEAL	1	2	3	4	5	6	7	8	9	10	11	12	13	14	15	16	17			18	19	20	21	22	23	24	25	26	27	28	29	30	31	32	33	34	35	36	37	38	39	40	41	42	43	44	45	46	47	48	49	50	51	52	53	54	55	56	57	58	59	60	61	62	63	64	65	66	67	68	69	70	71	72	73	74	75	76	77	78	79	80	81	82	83	84	85	86	87	88	89	90	91
GPEC RCPT CONN 95 CKT END LVR KEY 1/75	349920008	1-BLACK	IH	PLR	LE	LA	M	R	1	-	3	-	5	-	7	-	-	10	-	-	-	-	15	-	-	78	-	-	SALEABLE																																																																								
GPEC RCPT CONN 95 CKT END LVR KEY 1/76	349920009	1-BLACK	IH	PLR	LE	LA	M	R	1	-	3	-	5	-	7	-	-	10	-	-	-	-	-	-	-	-	-	-	SALEABLE																																																																								
GPEC RCPT CONN 95 CKT END LVR KEY 1/80	349920010	1-BLACK	IH	PLR	LE	LA	M	R	1	-	3	-	5	-	7	-	-	10	-	-	-	-	-	-	-	-	-	-	SALEABLE																																																																								
GPEC RCPT CONN 95 CKT END LVR KEY 1/79	349920011	1-BLACK	IH	PLR	LE	LA	M	R	1	-	-	-	-	-	-	-	-	-	-	-	-	-	15	-	-	78	-	-	SALEABLE																																																																								
GPEC RCPT CONN 95 CKT END LVR KEY 1/74	349920012	1-BLACK	IH	PLR	LE	LA	M	R	-	-	3	-	-	-	-	-	9	10	-	12	-	-	-	-	-	-	-	-	SALEABLE																																																																								
GPEC RCPT CONN 95 CKT END LVR KEY 1/83	349920013	1-BLACK	IH	PLR	LE	LA	M	R	1	-	-	-	-	-	-	-	-	-	-	-	-	-	-	-	-	78	-	-	SALEABLE																																																																								
GPEC RCPT CONN 95 CKT END LVR KEY 1/79	349920014	1-BLACK	IH	PLR	LE	LA	M	R	-	-	18	-	-	-	-	-	24	25	-	-	-	-	-	-	-	-	-	-	SALEABLE																																																																								
GPEC RCPT CONN 95 CKT END LVR KEY 1/82	349920015	1-BLACK	IH	PLR	LE	LA	M	R	-	-	18	-	-	-	-	-	24	25	-	-	-	-	-	-	-	-	-	-	SALEABLE																																																																								
GPEC RCPT CONN 95 CKT END LVR KEY 1/77	349920016	1-BLACK	IH	PLR	LE	LA	M	R	1	-	-	-	-	-	-	-	-	-	-	-	-	-	15	-	-	78	-	-	SALEABLE																																																																								
GPEC RCPT CONN 95 CKT END LVR KEY 1/67	349920017	1-BLACK	IH	PLR	LE	LA	M	R	-	-	3	-	-	-	-	-	9	10	-	12	-	-	15	-	-	78	-	-	SALEABLE																																																																								



GPEC IV 95 WAY RECEPTACLE SEALED ASSEMBLY MAT SEAL

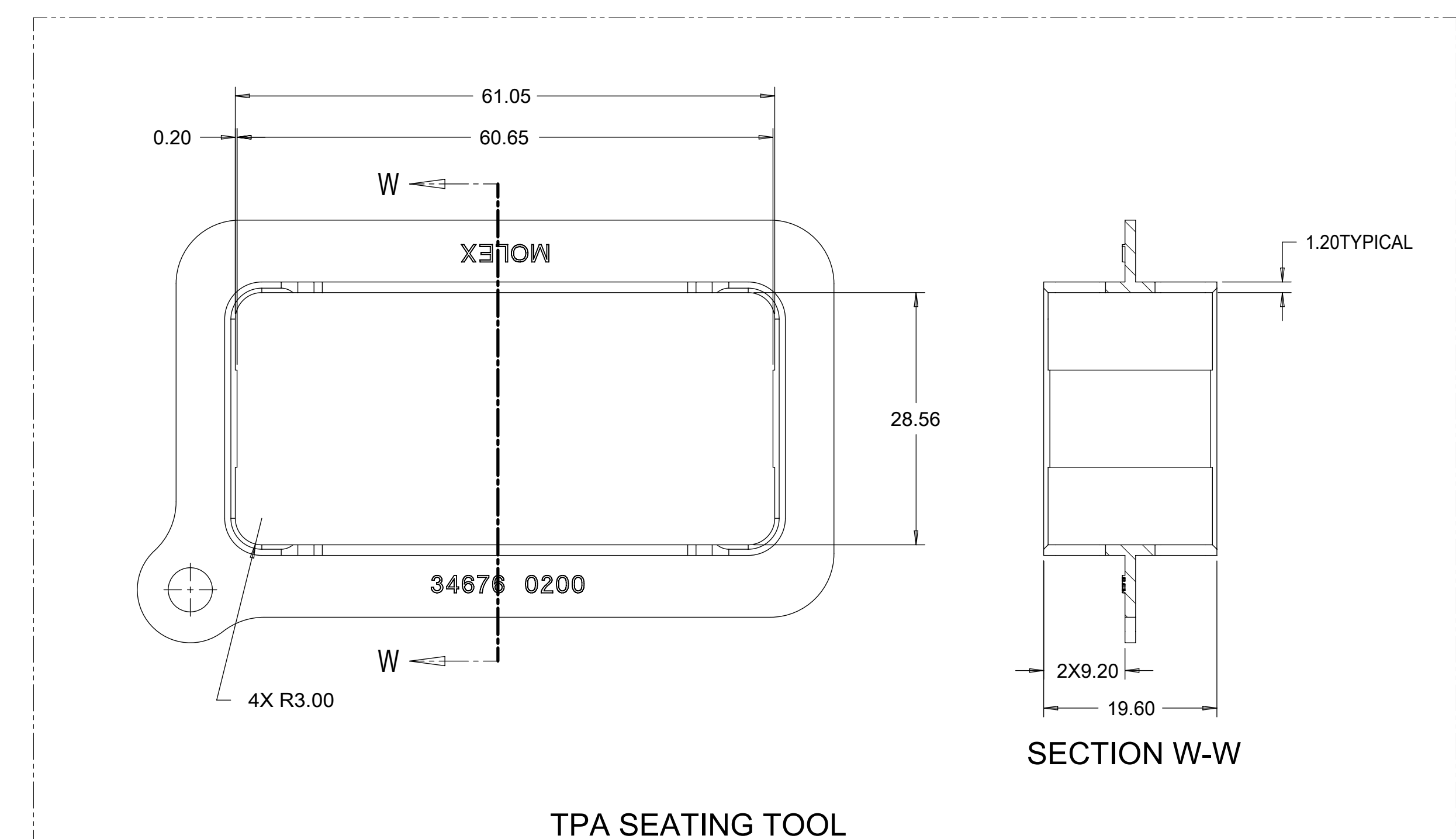
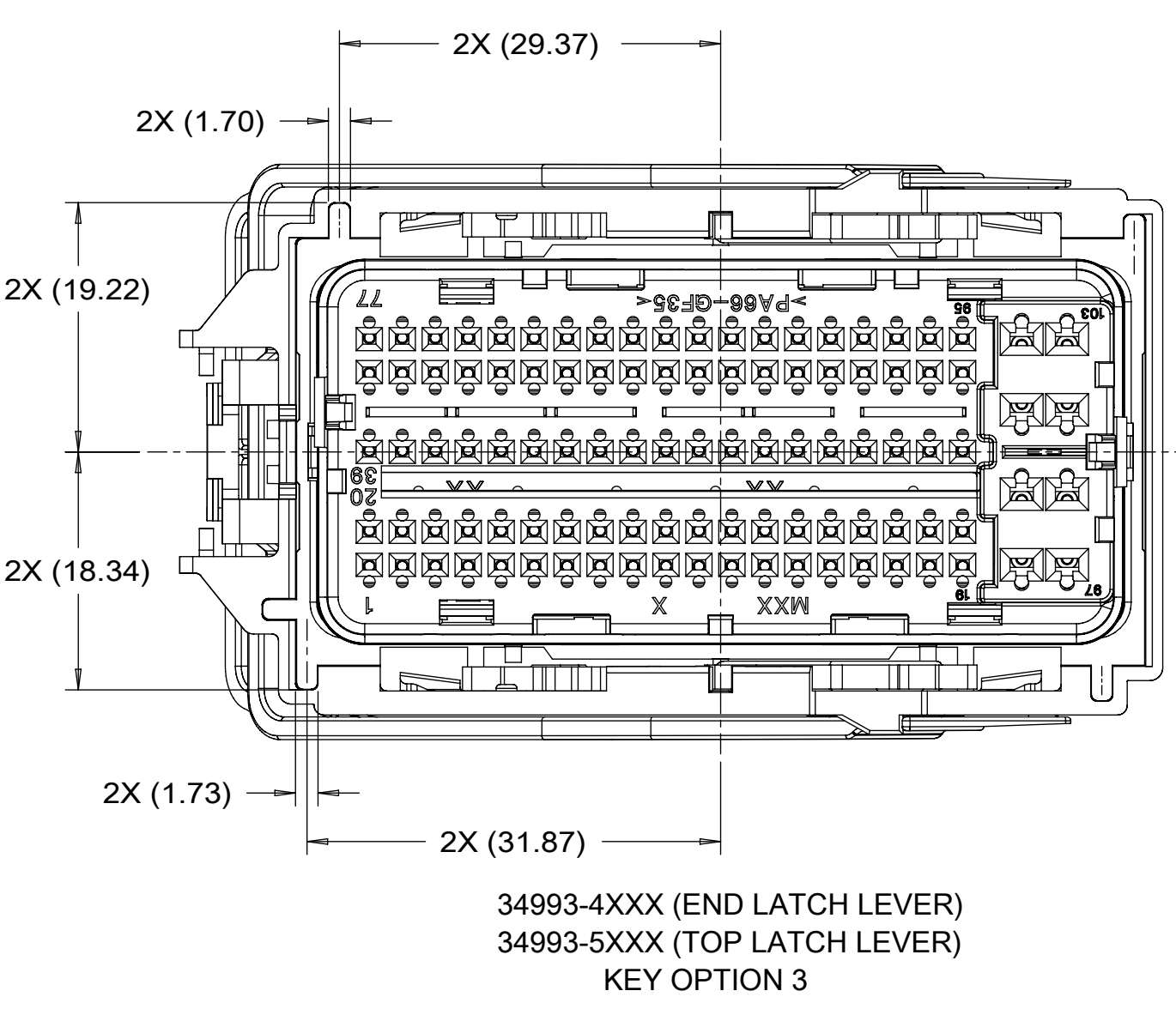
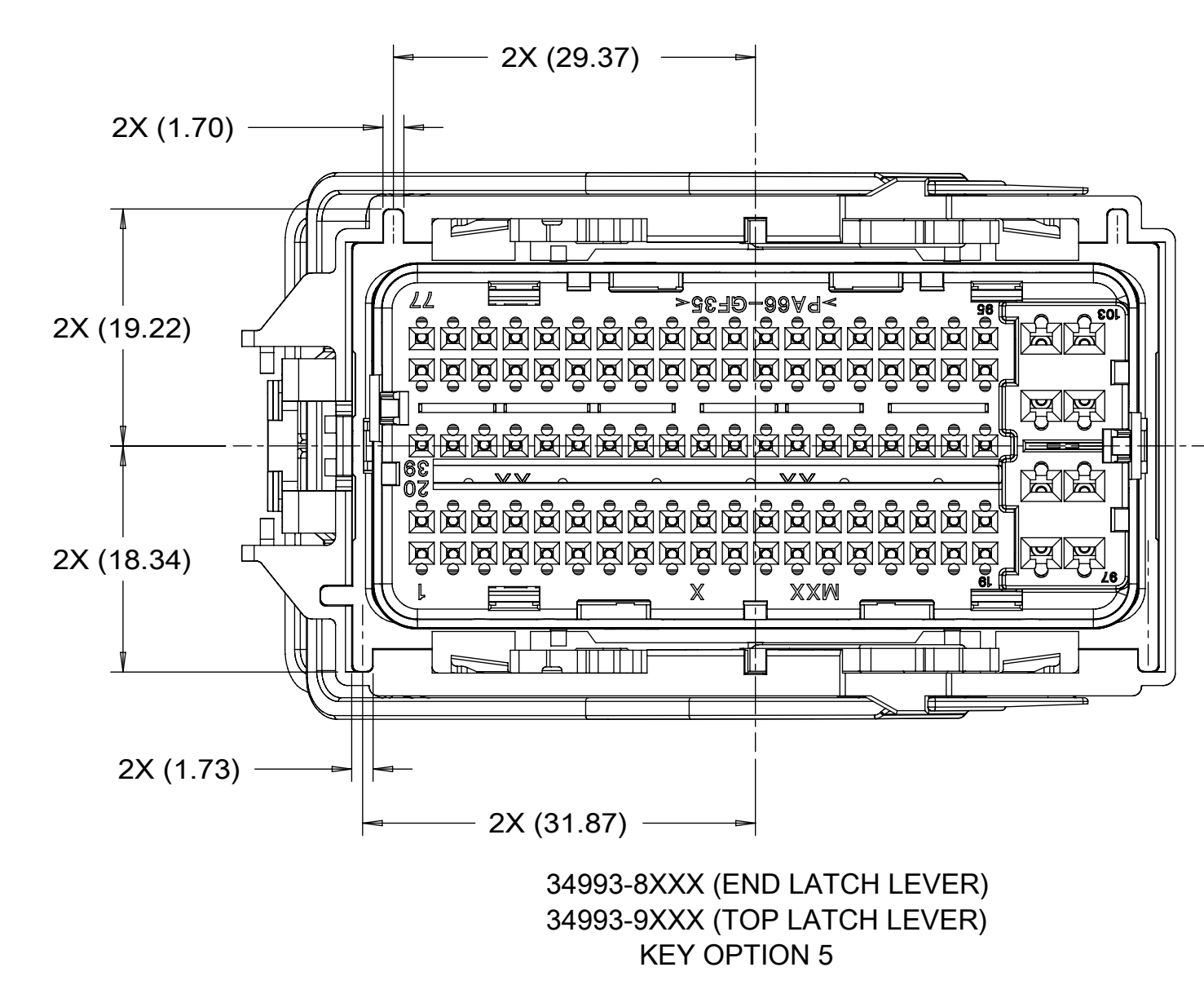
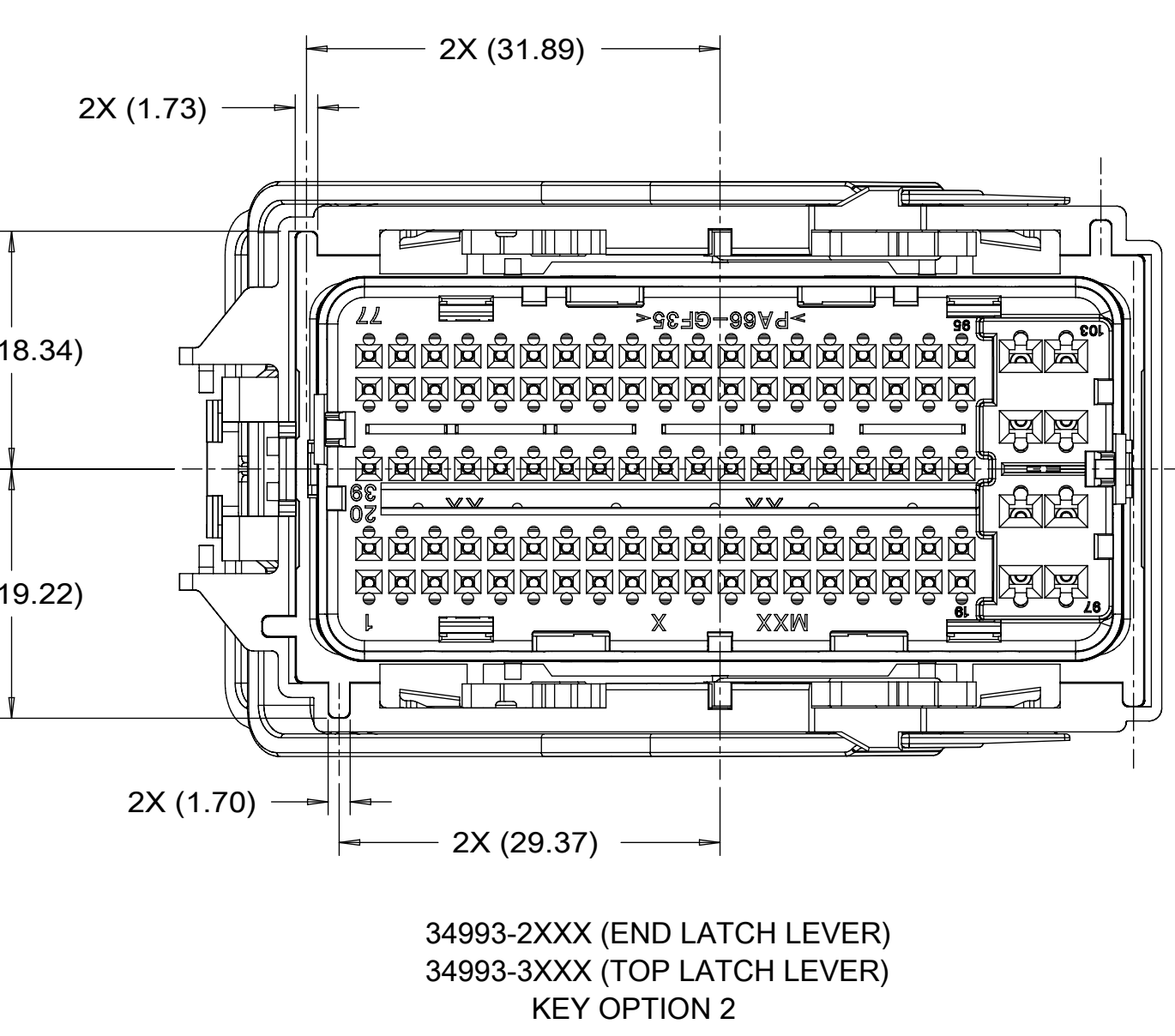
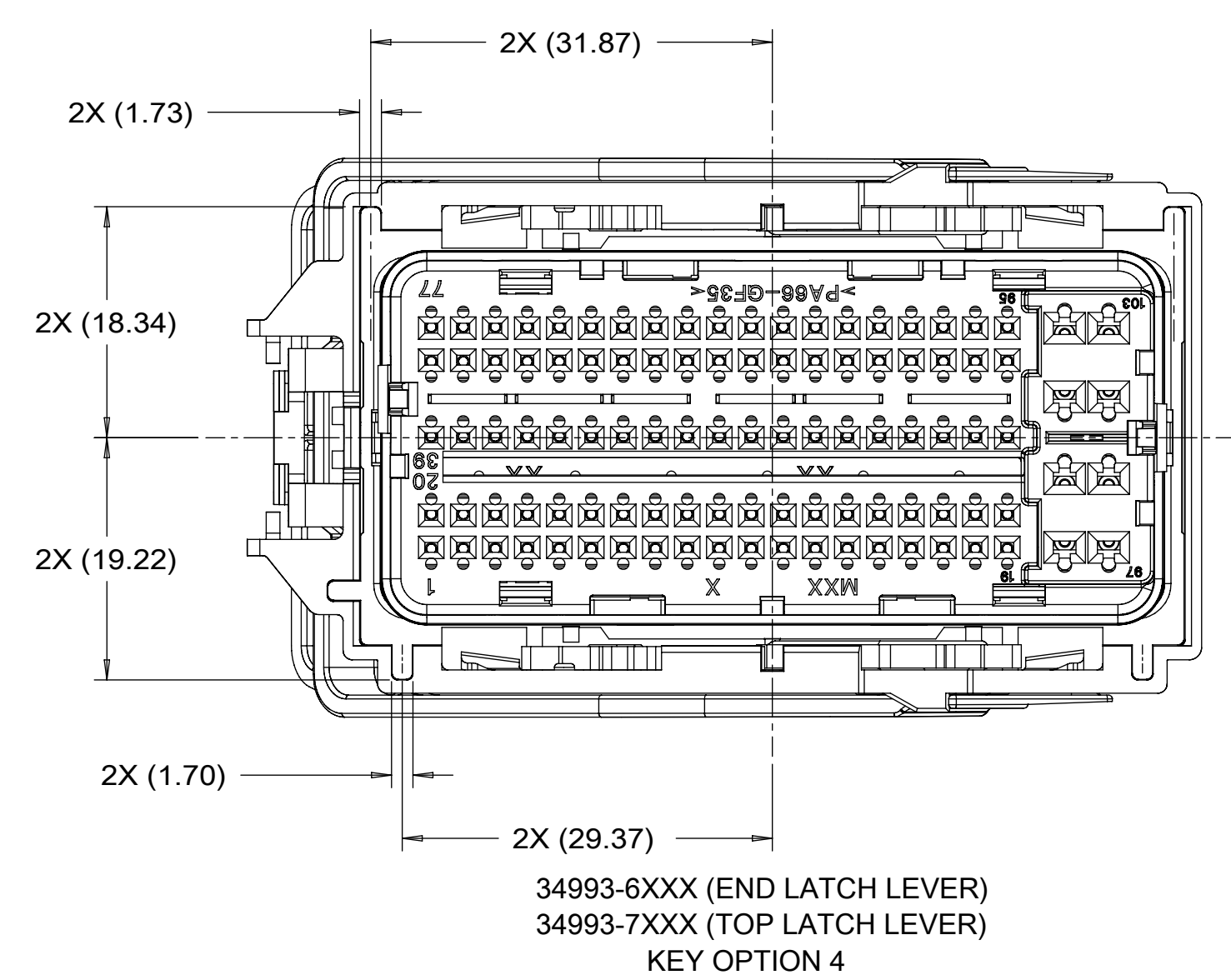
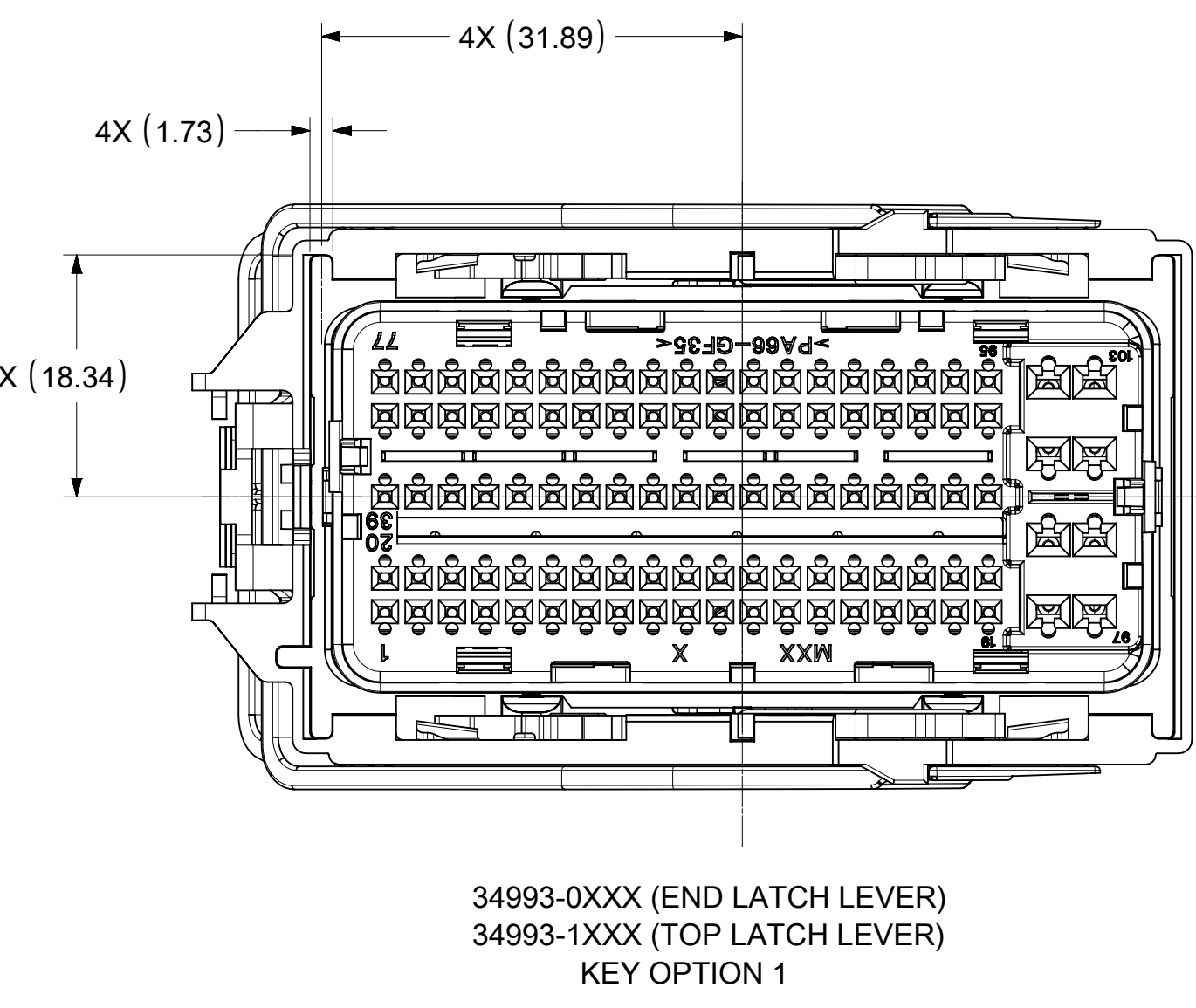
BOM AND PIN OUT SHEET

Main assembly table with columns: ASSEMBLY DESCRIPTION, ASSEMBLY PART NUMBER, COMPONENT, OUTER HOUSING KEY/COLOR, INNER HOUSING, PLR, LEVER, LEVER ARM (x/2), MAT SEAL, RING SEAL, BLOCKED TERMINALS (Cavity with a number indicates blocked terminal position, Cavity without a number indicates open terminal position), STATUS, and COMMENTS. The table contains 10 rows of assembly data.

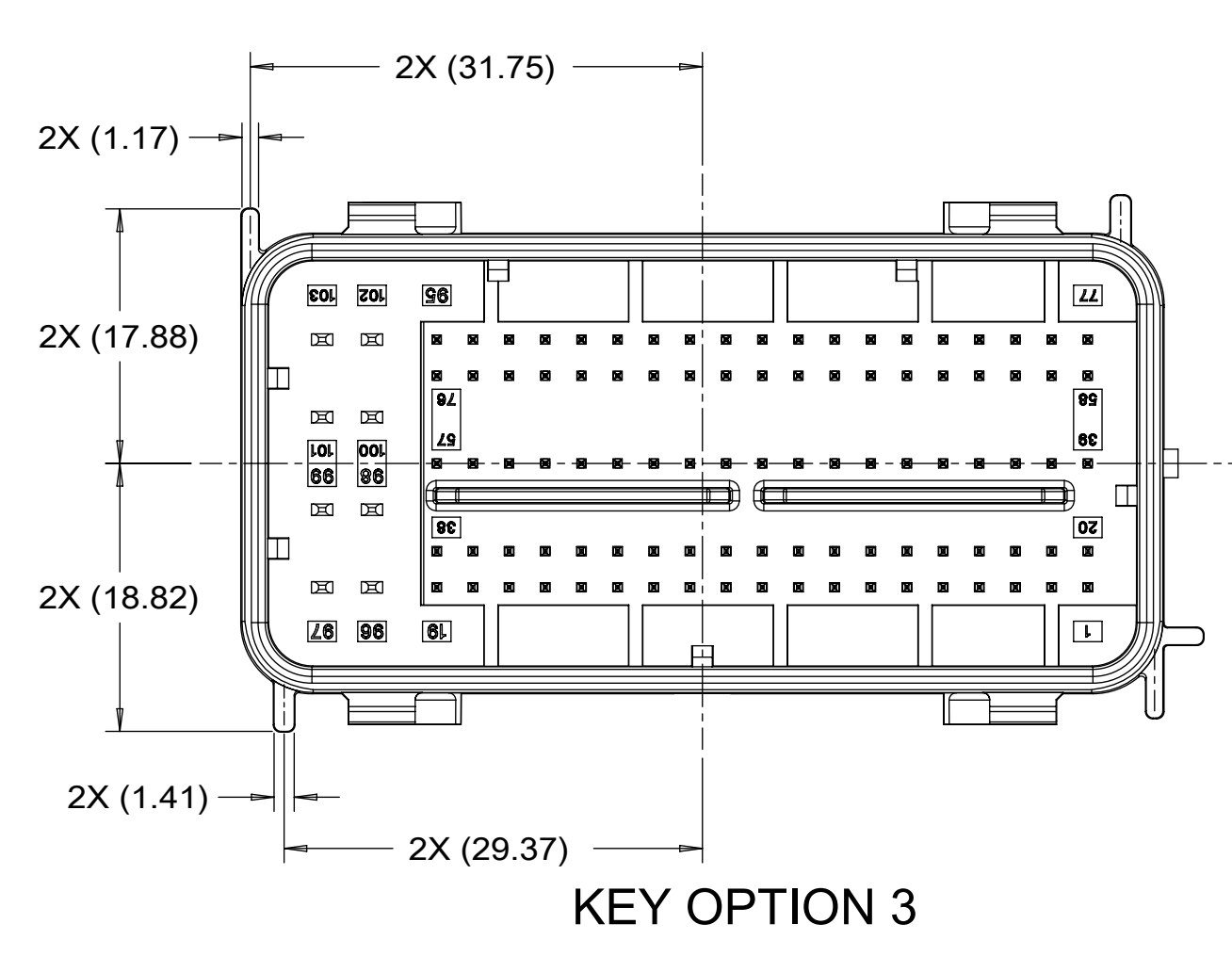
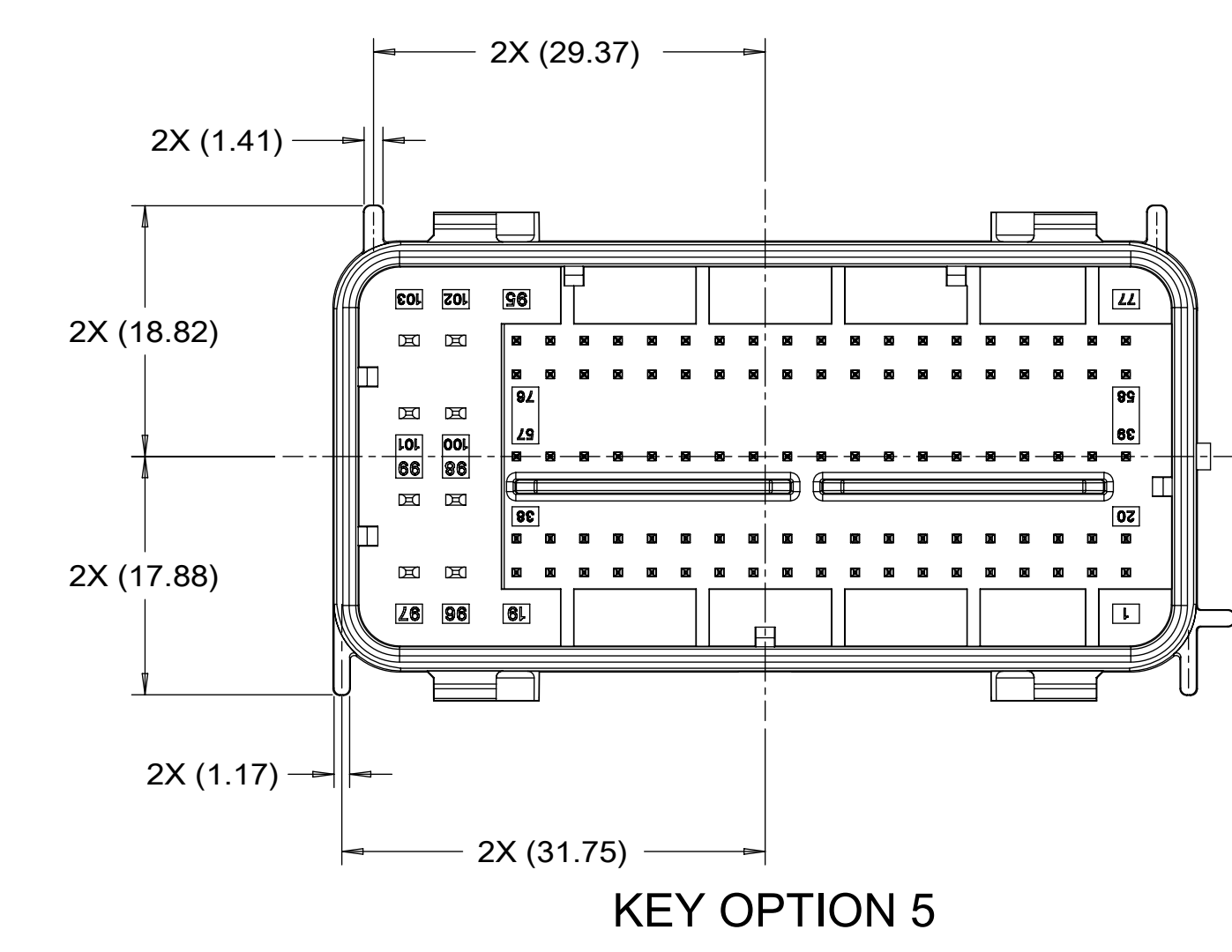
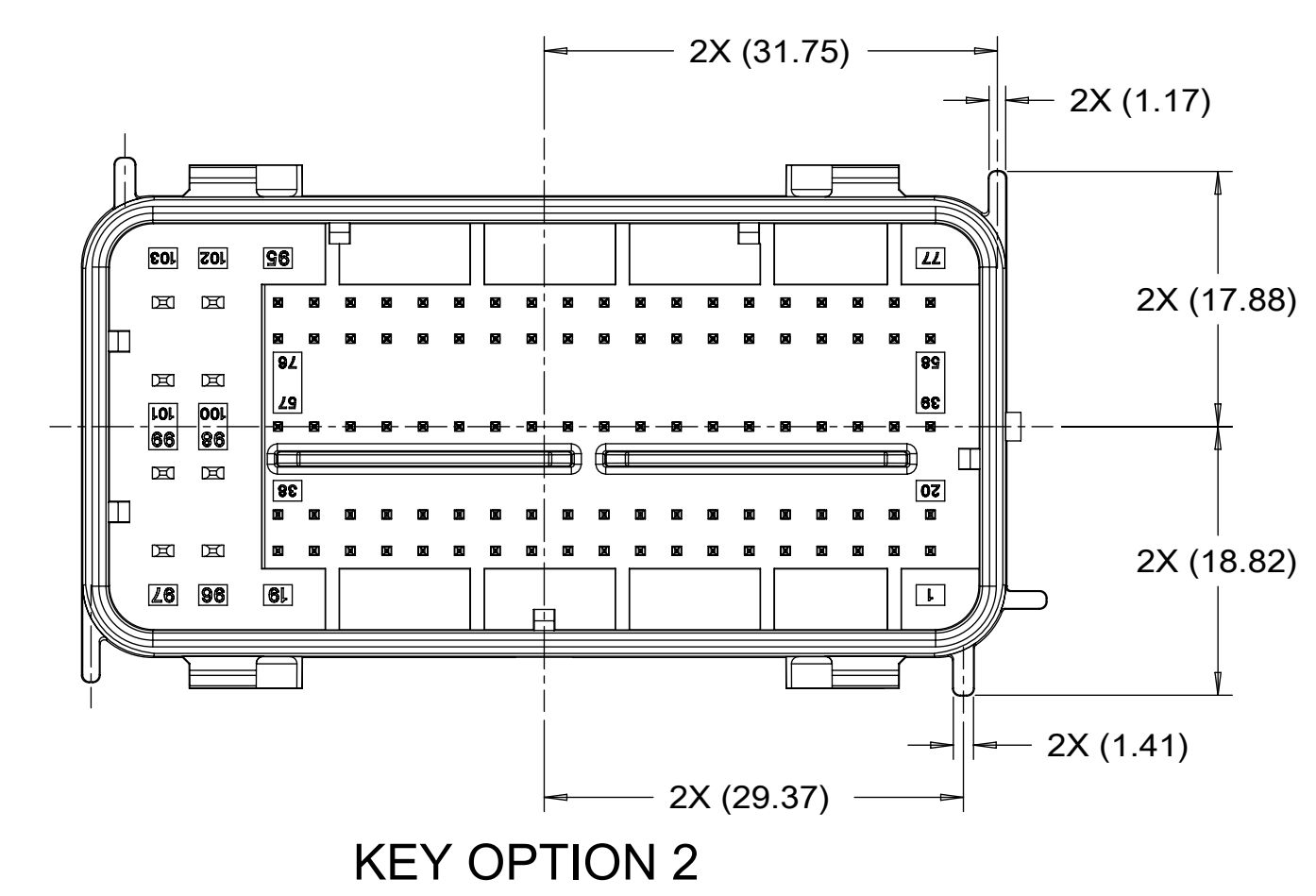
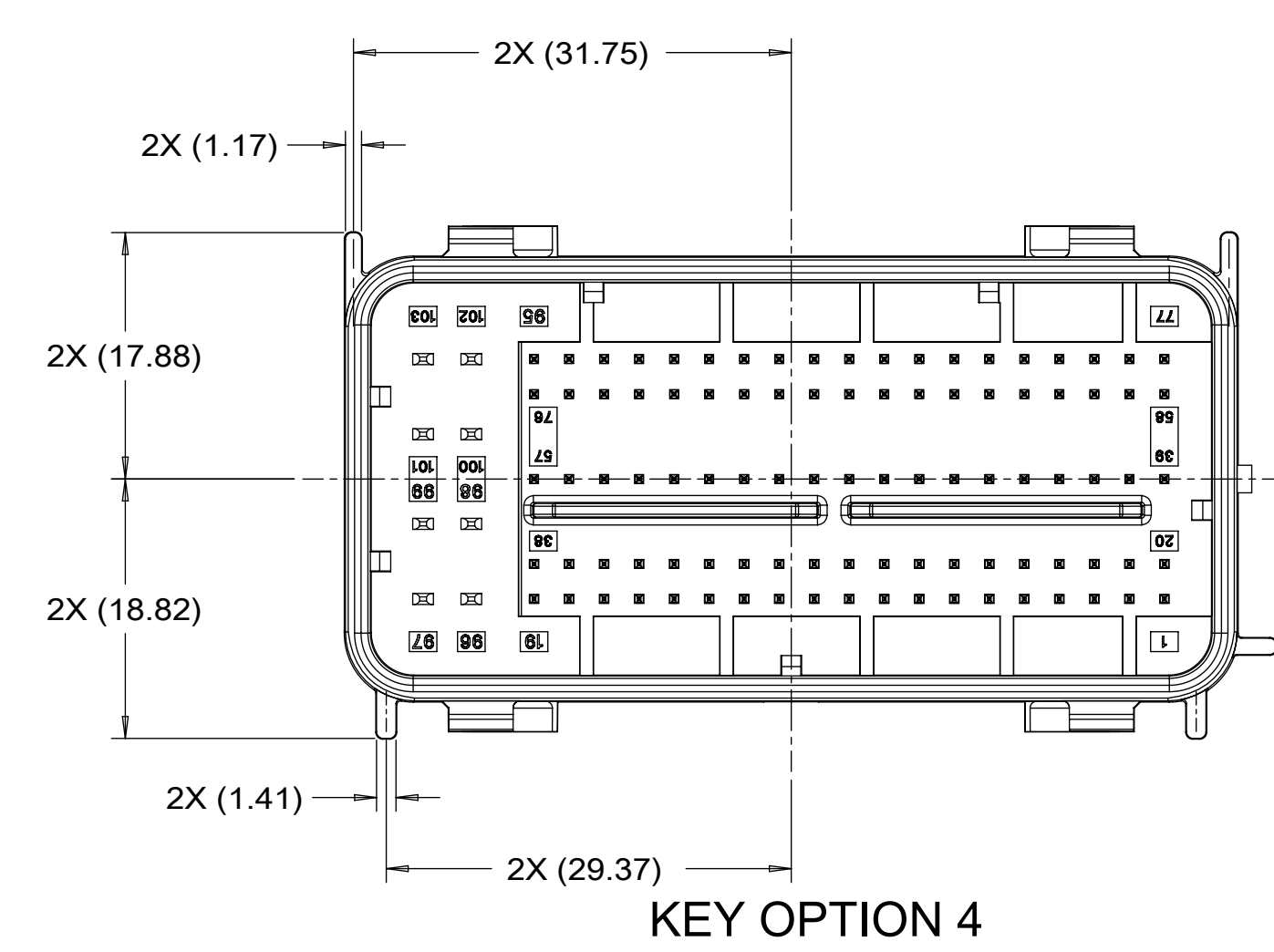
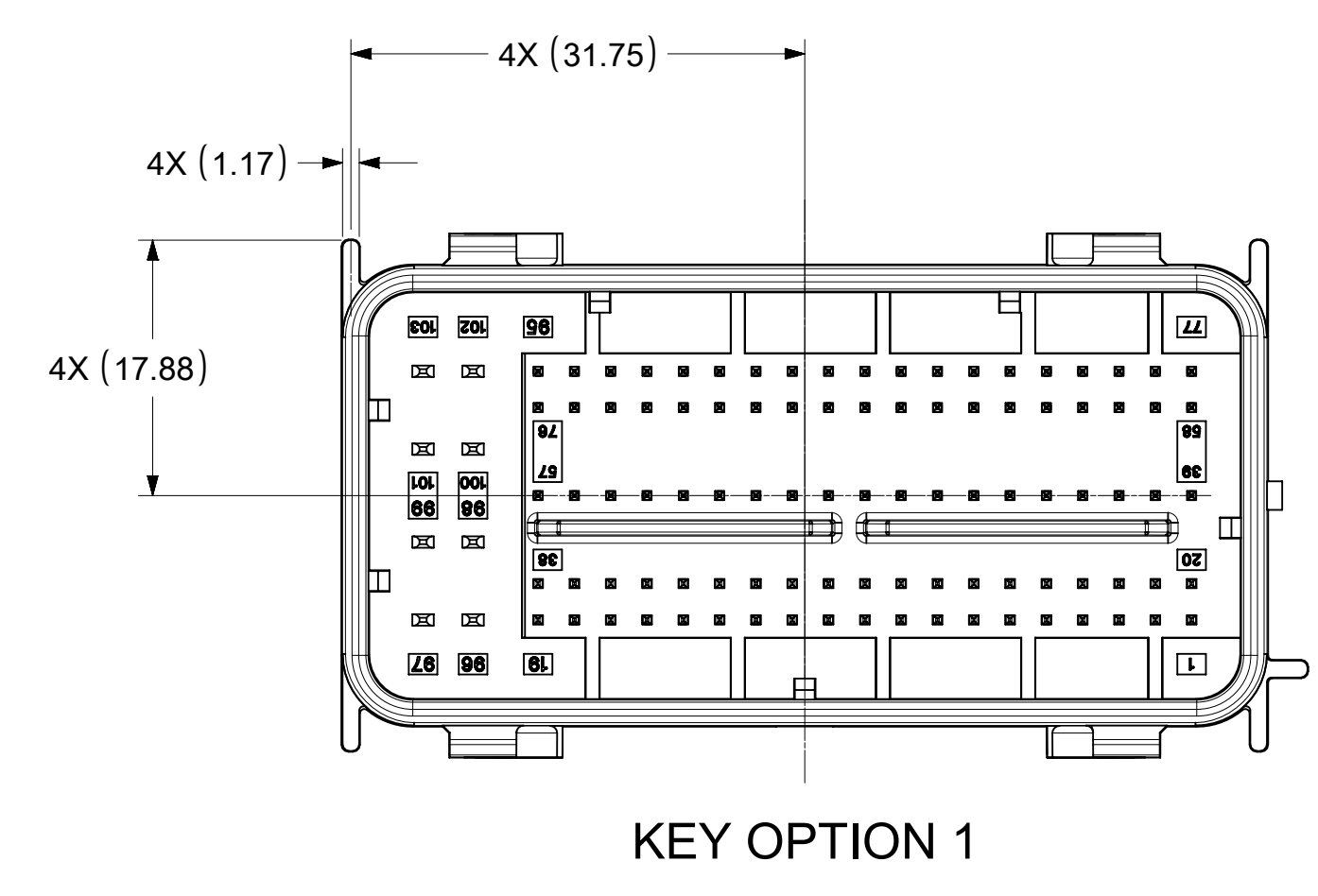
BOM AND PIN OUT SHEET

ASSEMBLY DESCRIPTION	ASSEMBLY PART NUMBER	COMPONENT							BLOCKED TERMINALS																	STATUS	COMMENTS									
		THE PRESENCE OF AN ABBREVIATION INDICATES THE PRESENCE OF THAT COMPONENT.							CAVITY WITH A NUMBER INDICATES BLOCKED TERMINAL POSITION CAVITY WITHOUT A NUMBER INDICATES OPEN TERMINAL POSITION																											
		OUTER HOUSING KEY/COLOR	INNER HOUSING	PLR	LEVER	LEVER ARM (x/2)	MAT SEAL	RING SEAL																												
GPEC RCPT CONN 95 CKT TOP LVR KEY 5/38	349929015	5-BLACK	IH	PLR	LT	LA	M	R	-	-	3	4	-	6	7	8	9	-	-	12	13	-	15	-	77	78	79	80	SALEABLE							
									16	17	18	19	20	21	22	23	-	25	26	-	28	29	30	-	-	-	-	-			-	-	-	85		
									-	-	-	-	-	-	-	38	-	40	41	42	-	44	-	-	-	-	-	-			-	-	-	-	-	
									46	47	48	-	-	51	52	53	54	55	56	-	-	59	-	-	-	-	-	-			-	86	-	-	-	-
									61	-	-	64	-	66	67	68	69	70	71	72	73	74	75	-	-	-	-	-			-	91	-	-	-	95
GPEC RCPT CONN 95 CKT TOP LVR KEY 5/60	349929016	5-BLACK	IH	PLR	LT	LA	M	R	-	-	-	4	-	-	-	-	-	10	-	-	-	-	-	-	-	-	-	SALEABLE								
									-	-	-	-	-	-	-	23	-	-	-	27	-	-	-	-	-	-	-			-	-	-	-	-		
									-	32	-	-	-	-	37	-	-	-	-	-	43	44	45	-	-	-	-			-	-	-	-	-	-	
									-	-	48	49	-	51	52	-	-	55	56	-	58	59	60	-	-	-	-			-	-	-	87	88	89	-
									61	62	63	64	65	-	67	68	-	-	-	72	73	74	75	-	-	-	-			-	-	-	92	93	94	-
GPEC RCPT CONN 95 CKT TOP LVR KEY 5/58	349929017	5-BLACK	IH	PLR	LT	LA	M	R	-	-	-	4	-	-	-	-	-	10	-	-	-	-	-	-	-	-	-	SALEABLE								
									-	-	-	-	-	-	-	23	-	-	-	27	-	-	-	-	-	-	-			-	-	-	-	-		
									-	32	-	-	-	-	37	-	-	-	-	-	43	44	45	-	-	-	-			-	-	-	-	-	-	
									-	-	48	49	-	51	52	-	-	55	56	-	58	59	60	-	-	-	-			-	-	-	87	88	89	-
									61	62	63	64	65	-	67	68	-	70	71	72	73	74	75	-	-	-	-			-	-	-	92	93	94	-

KEYWAY DEFINITION



RECOMMENDED MATING INTERFACE



SYMBOLS										THIS DRAWING CONTAINS INFORMATION THAT IS PROPRIETARY TO MOLEX ELECTRONIC TECHNOLOGIES, LLC AND SHOULD NOT BE USED WITHOUT WRITTEN PERMISSION									
= 0					mm					SCALE					2:1				
= 0										GENERAL TOLERANCES (UNLESS SPECIFIED)									
= 0					ANGULAR TOL ±					CURRENT REV DESC: NOTE AND TABLE UPDATED									
= 0					4 PLACES					EC NO: 677806									
= 0					3 PLACES					DRWN: NBOHIDAR 2021/09/15									
= 0					2 PLACES					CHK'D: BDICK01 2021/09/28									
= 0					1 PLACE					APPR: BDICK01 2021/09/28									
= 0					0 PLACES					INITIAL REVISION:									
= 0					DRAFT WHERE APPLICABLE MUST REMAIN WITHIN DIMENSIONS					DRWN: NBOHIDAR 2018/09/01									
= 0					THIRD ANGLE PROJECTION					APPR: APROFFITT 2018/09/07									
= 0					E-SIZE					SERIES									
= 0					34993					MATERIAL NUMBER									
= 0					CHARTED					CUSTOMER									
= 0					GENERAL MARKET					SHEET NUMBER									
= 0					2 OF 3														

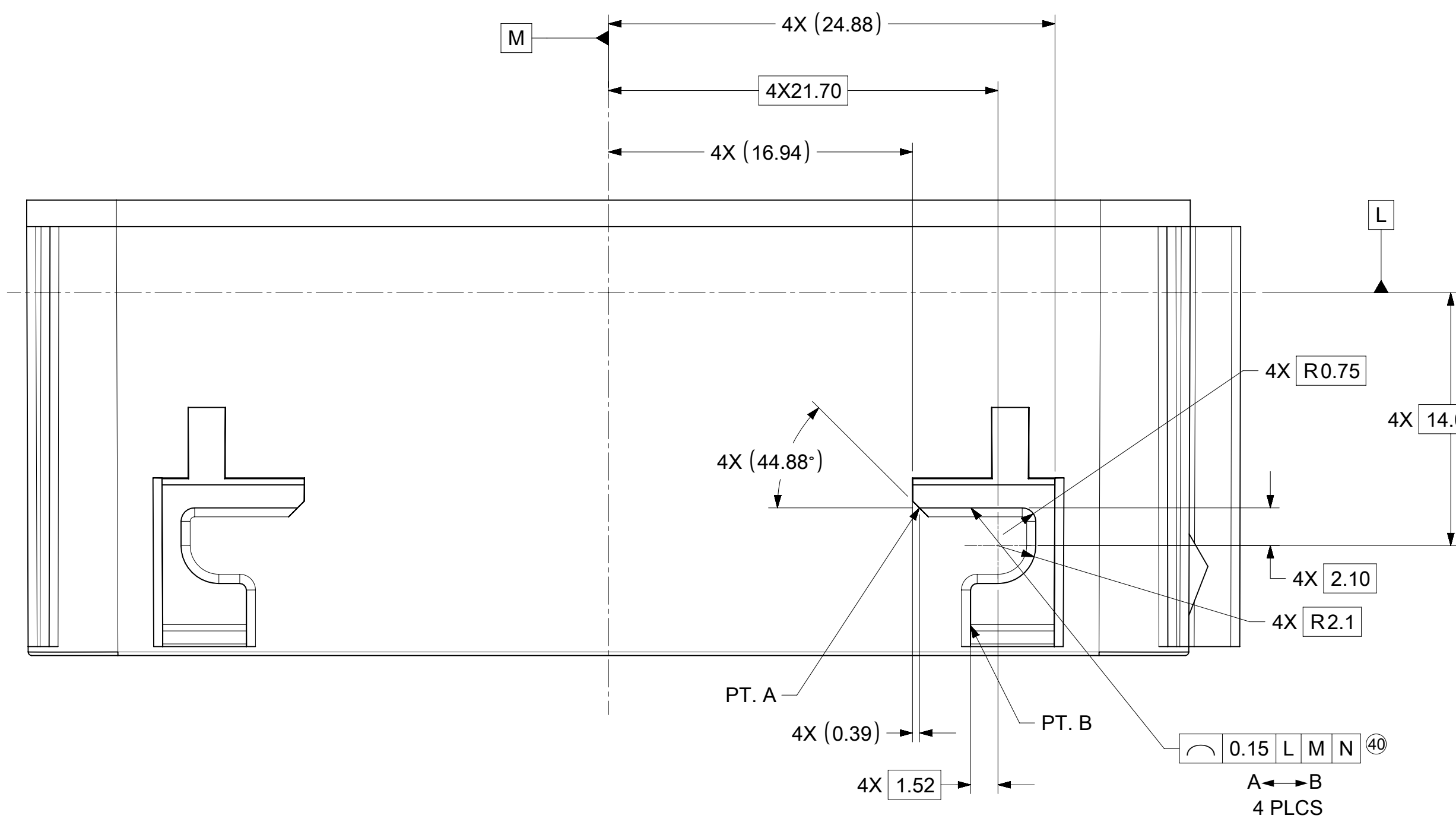
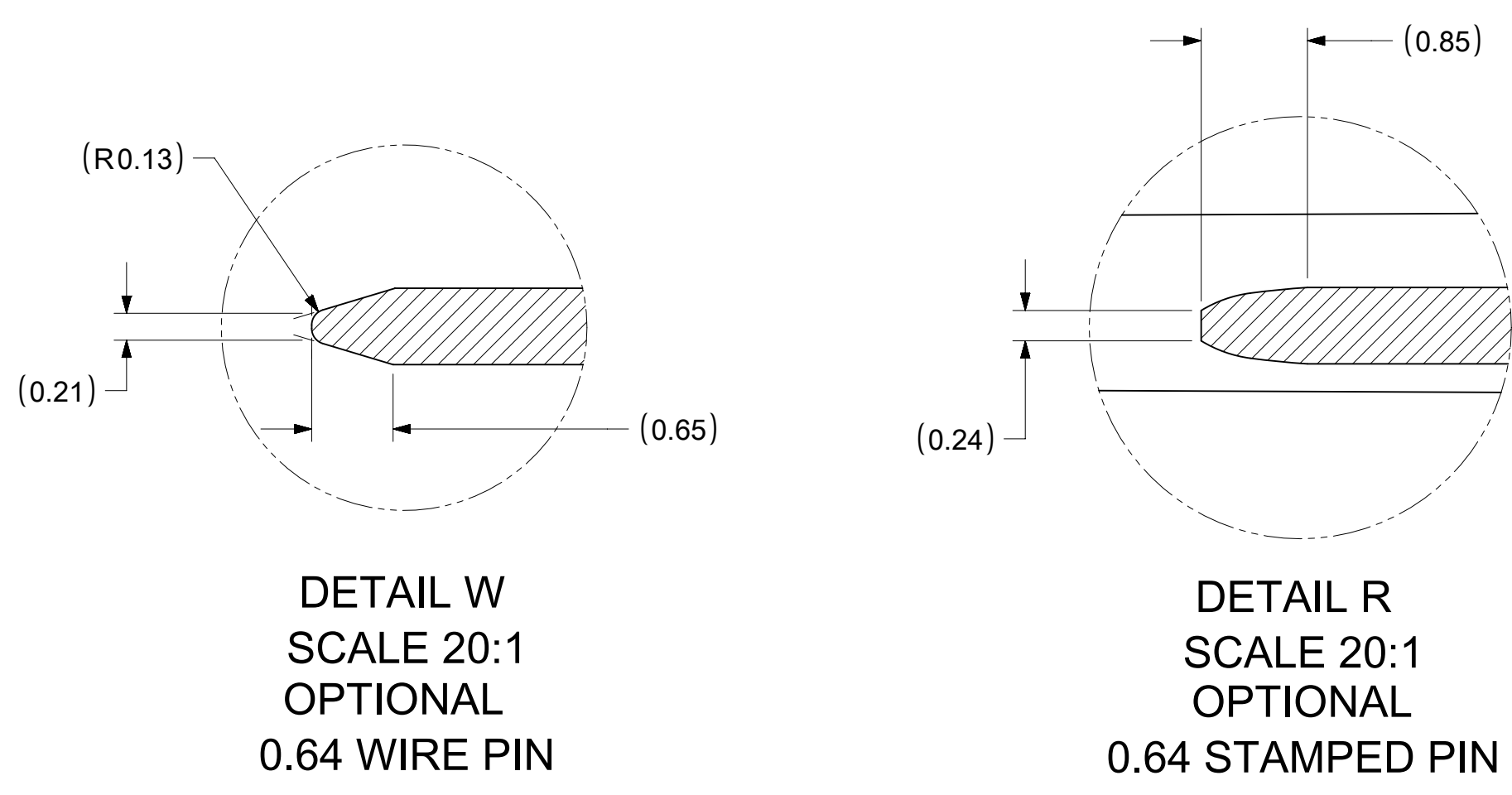
molex

GPEC IV CONNECTOR ASSEMBLY
103 CIRCUIT

PRODUCT CUSTOMER DRAWING

DOCUMENT NUMBER	DOC TYPE	DOC PART	REVISION
349930001-SD	PSD	000	A8

RECOMMENDED MATING INTERFACE



NOTES FOR INTERFACE: UNLESS OTHERWISE SPECIFIED

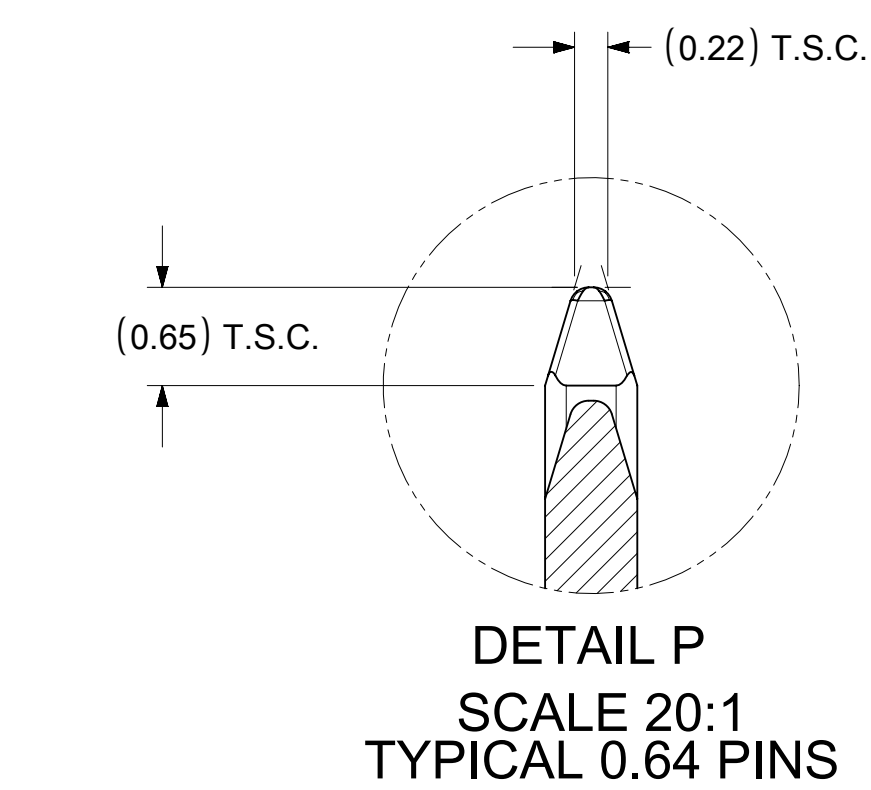
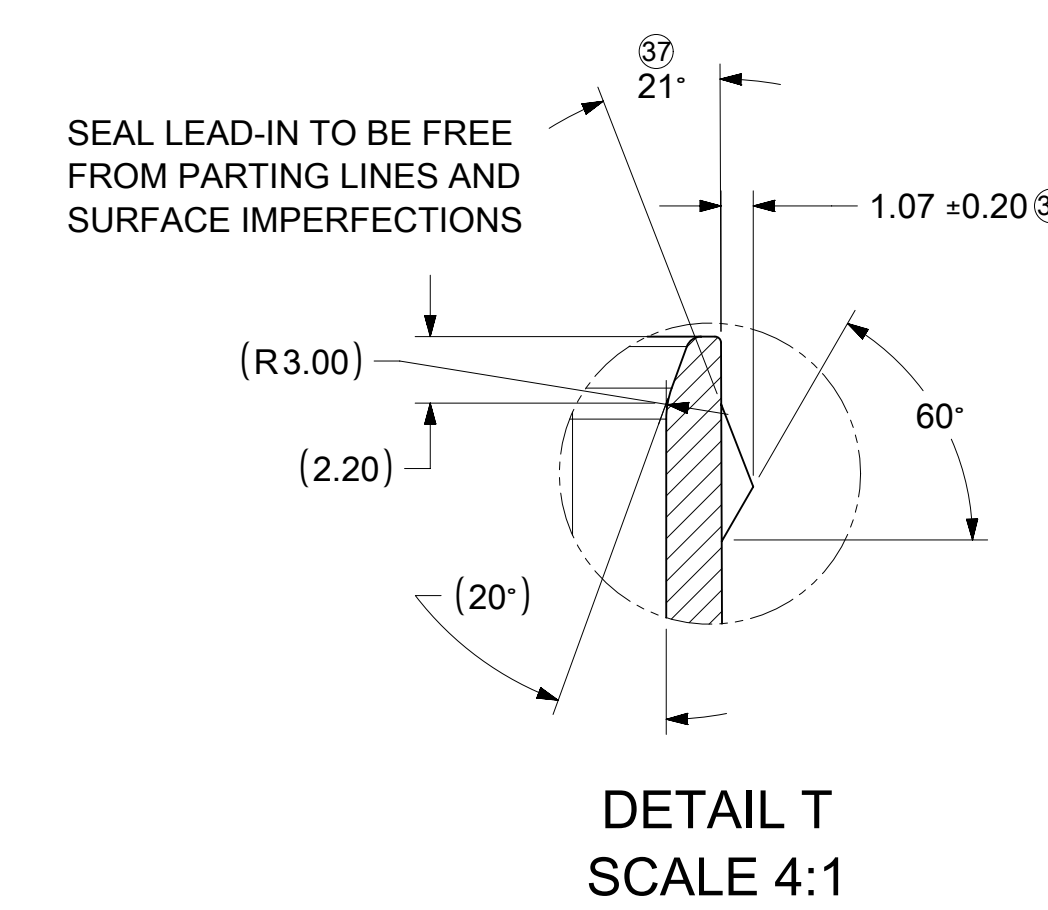
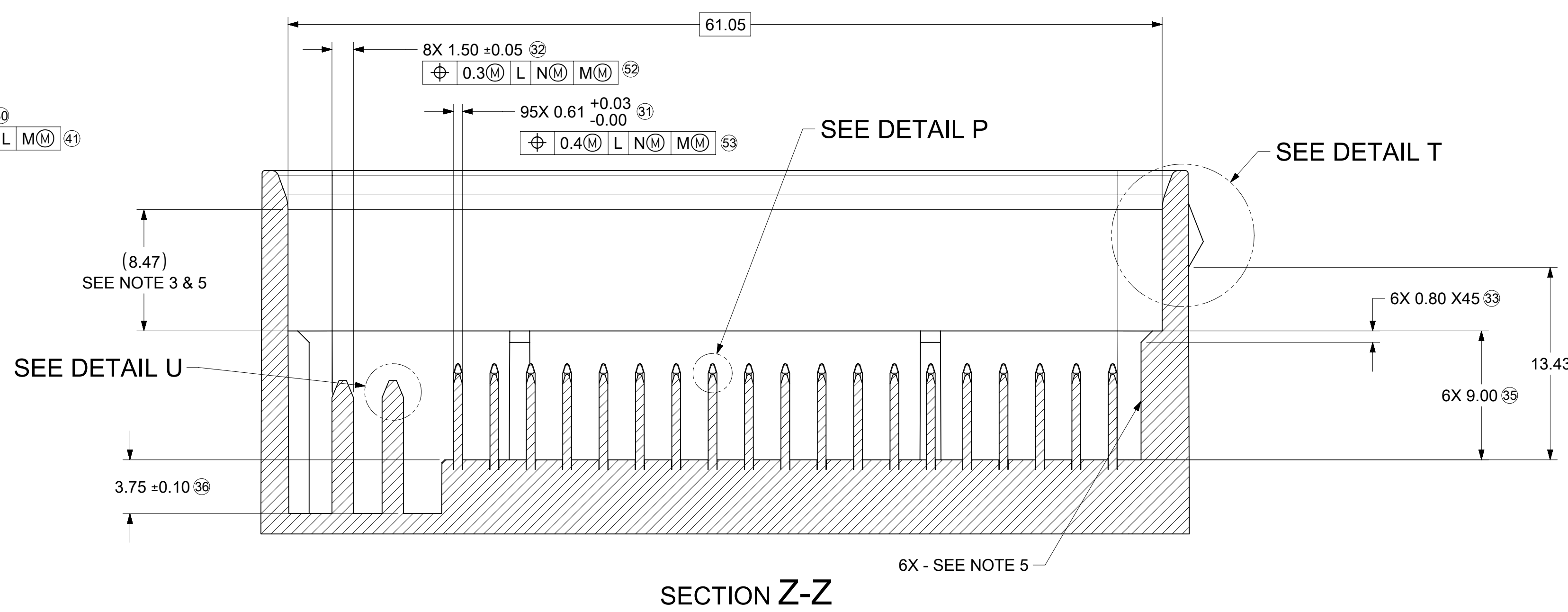
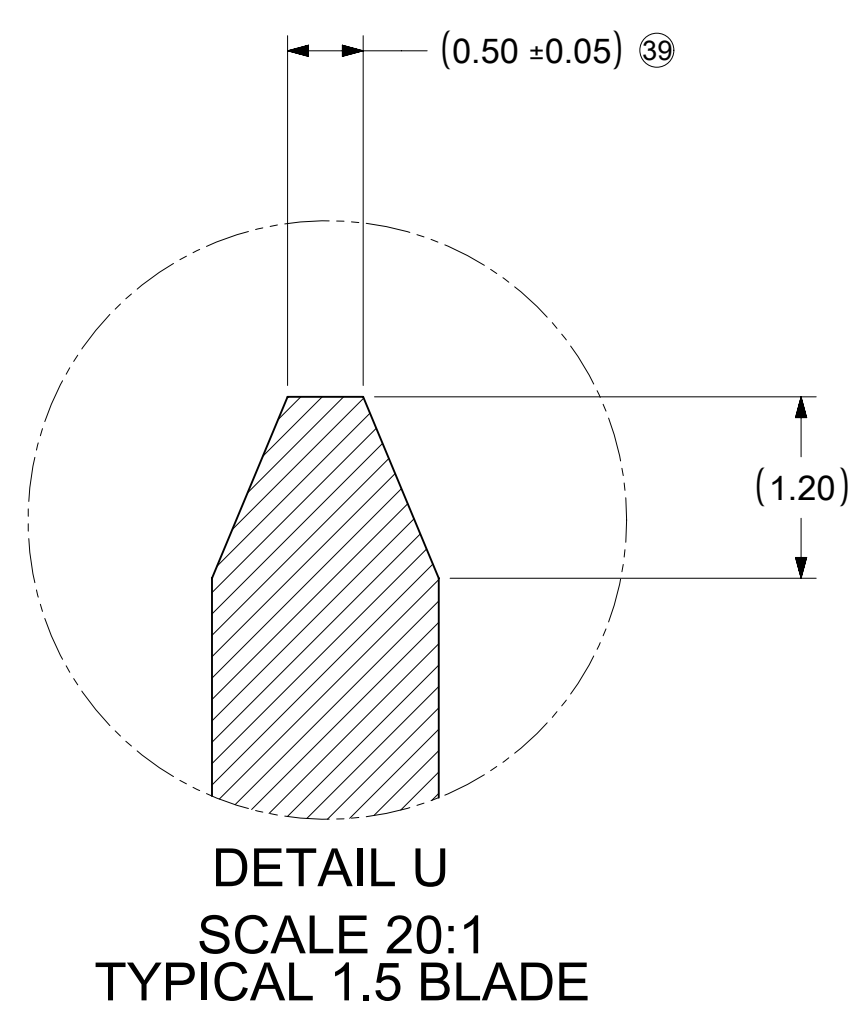
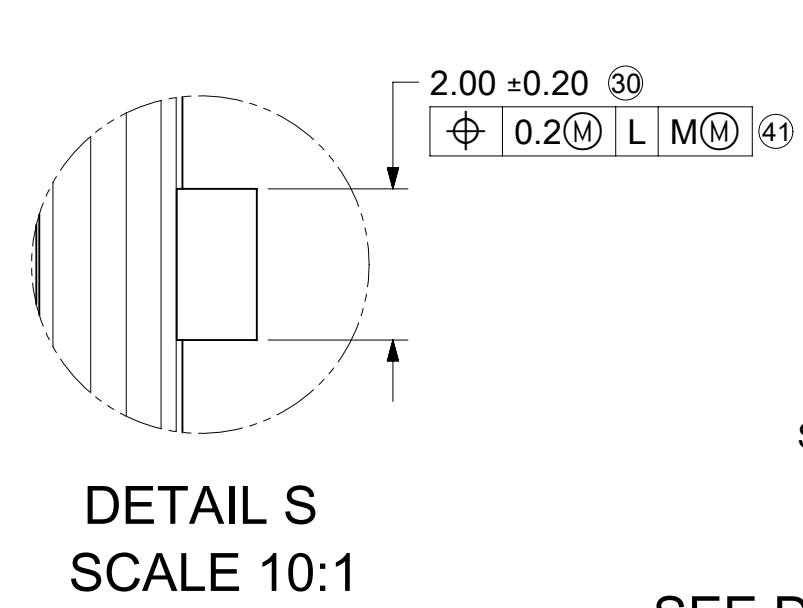
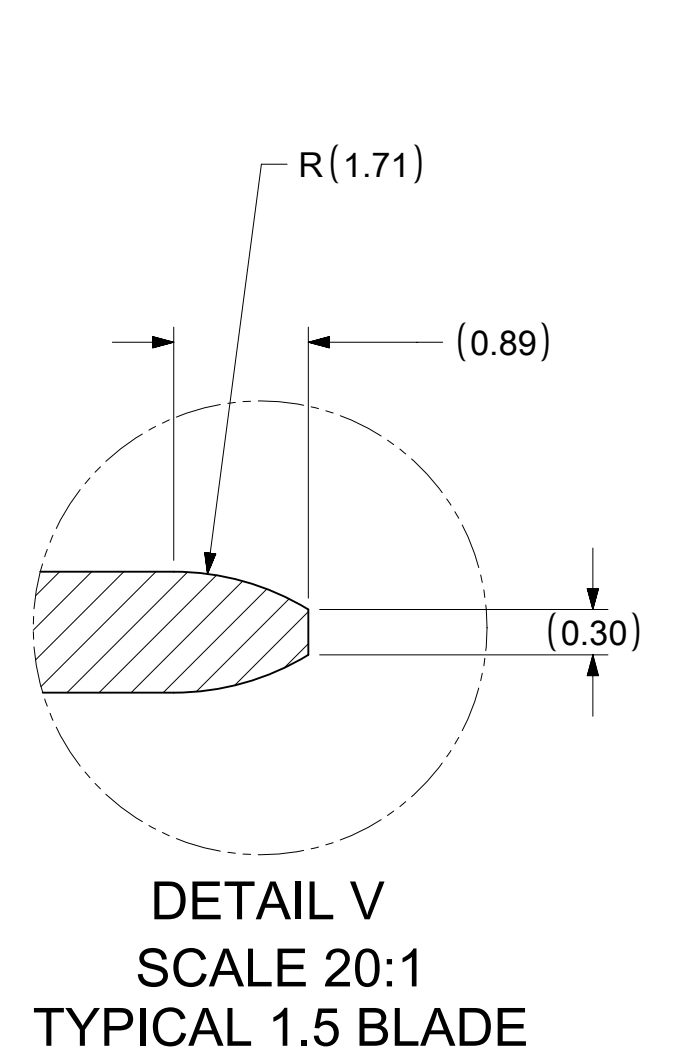
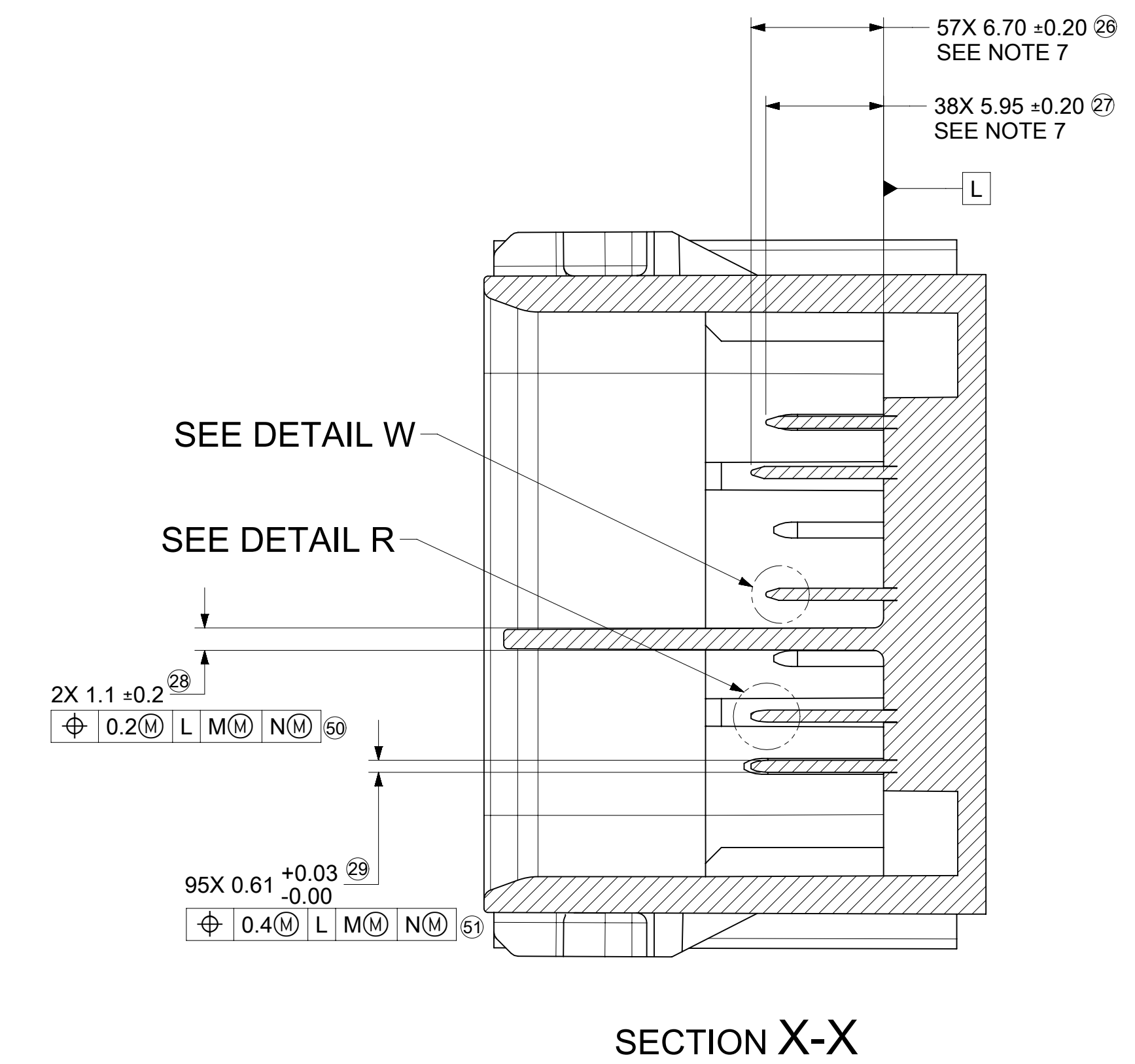
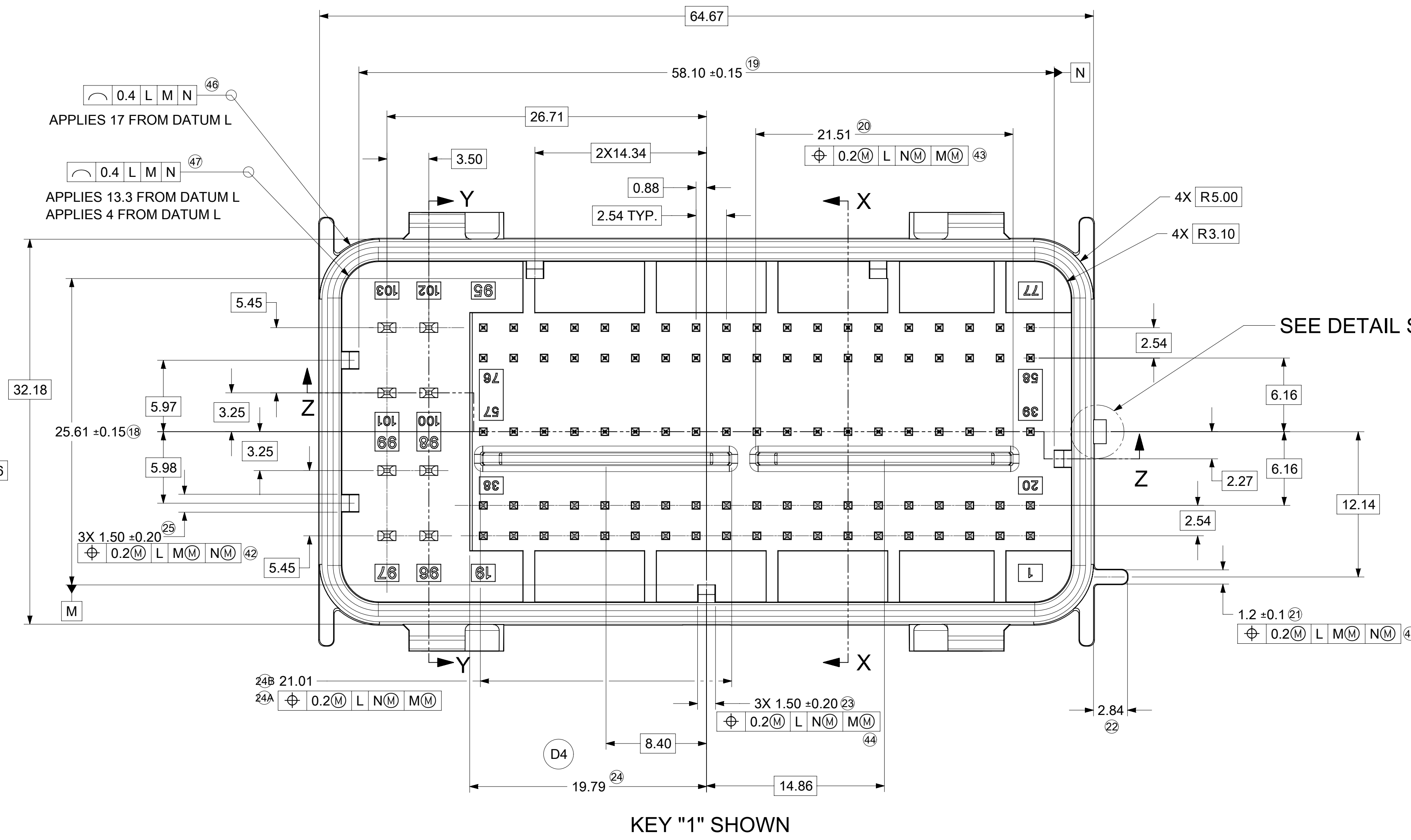
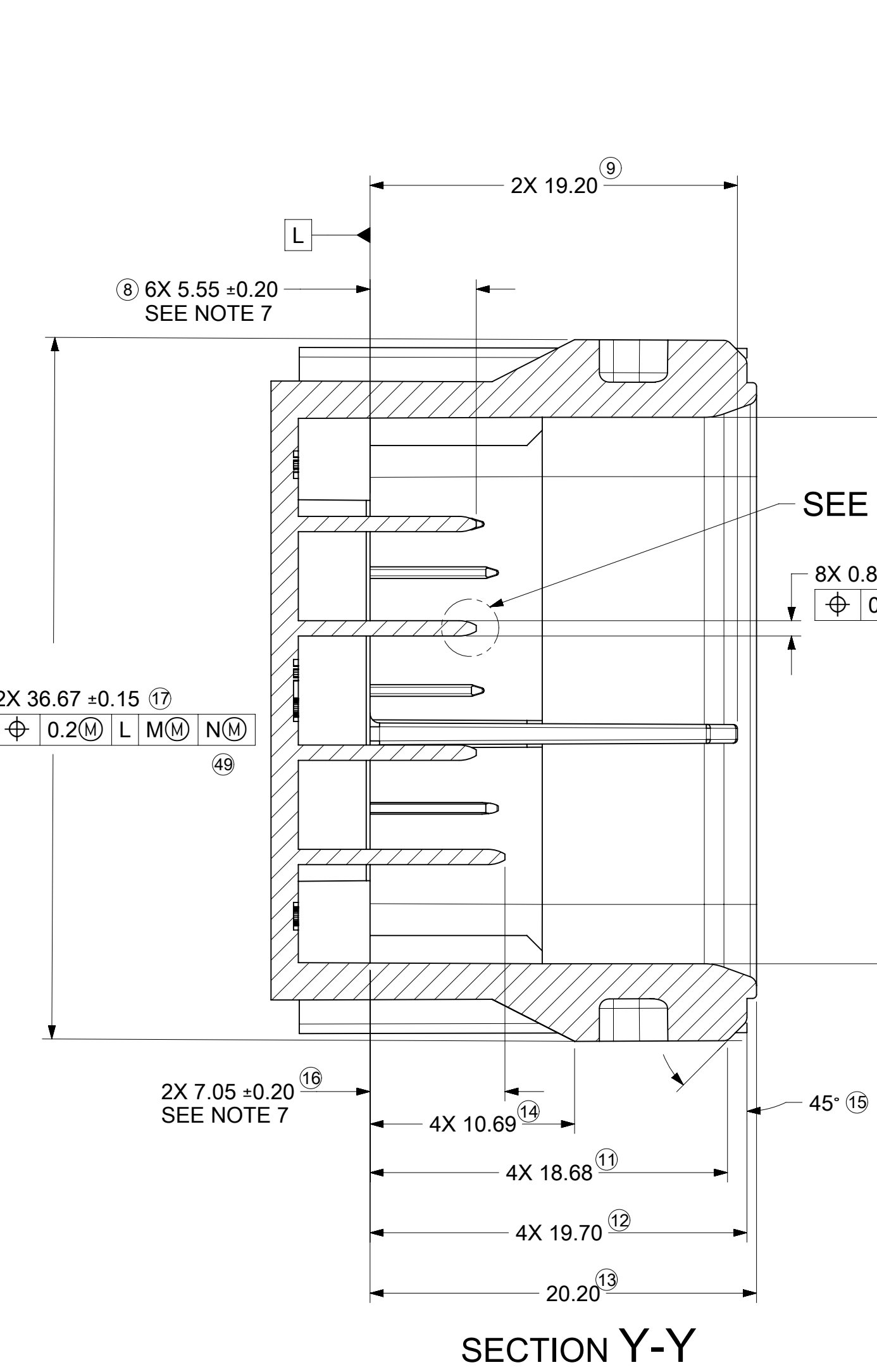
- GENERAL TOLERANCES:
LINEAR DIMENSIONS: +0.20
ANGULAR DIMENSIONS: ±3°
- DRAFT ANGLE PERMISSIBLE ONLY WITHIN DRAWING TOLERANCE.
- SEAL SURFACE: NO WITNESS LINES OR DAMAGE PERMITTED.
- ALL UNMARKED RADII TO BE 0.5 MAX. UNLESS OTHERWISE SPECIFIED.
- ZERO DRAFT AREA
- CONNECTION SYSTEM VALIDATED TO USCAR2, REVISION 5
- PIN ROW HEIGHTS ARE INTENTIONALLY OFFSET

POWER CONTACT PIN NOTES: (1.5 CIRCUITS)

- MATERIAL: Cu ALLOY
WITH TENSILE STRENGTH > 410 N/mm²
ELECTRICAL CONDUCTANCE > 16 Sm/mm²
(>28% IACS AT 20°C)
- BASE PLATING: 1.25-2.25µm Ni OVERALL.
- REFLOW TIN PLATING: 2.5-4.0µm OVERALL.
- CONTACT MUST BE FREE OF BURRS AND SHARP EDGES.
- PROCESS COMPONENTS IN A LOW-SULFUR ENVIRONMENT AND AVOID CONTACT WITH MATERIALS THAT TRANSFER SULFUR TO THE ENVIRONMENT.

SIGNAL CONTACT PIN NOTES: (0.64 CIRCUITS)

- MATERIAL: Cu ALLOY
WITH TENSILE STRENGTH > 410 N/mm²
ELECTRICAL CONDUCTANCE > 16 Sm/mm²
(>28% IACS AT 20°C)
- BASE PLATING: 1.25-2.5µm Ni OVERALL.
- SILVER PLATING: 2-4µm Ag WITH TARNISH RESISTANT TREATMENT APPLIED TO THE ENTIRE SILVER SURFACE.
- CONTACT MUST BE FREE OF BURRS AND SHARP EDGES.
- FOR SILVER PLATING: ELECTRICAL PERFORMANCE IS NOT AFFECTED BY GREY OR BLACK TARNISH ON THE SILVER PLATING SURFACE. ACCEPTABLE SILVER PIN SURFACES CAN INCLUDE GREY OR BLACK TARNISH.
- PROCESS COMPONENTS IN A LOW-SULFUR ENVIRONMENT AND AVOID CONTACT WITH MATERIALS THAT TRANSFER SULFUR TO THE ENVIRONMENT.



SYMBOLS	THIS DRAWING CONTAINS INFORMATION THAT IS PROPRIETARY TO MOLEX ELECTRONIC TECHNOLOGIES, LLC AND SHOULD NOT BE USED WITHOUT WRITTEN PERMISSION		CURRENT REV DESC: NOTE AND TABLE UPDATED		
	DIMENSION UNITS	SCALE			
▽ = 0	mm	2:1			GPEC IV CONNECTOR ASSEMBLY 103 CIRCUIT
▽ = 0	GENERAL TOLERANCES (UNLESS SPECIFIED)				
▽ = 0	ANGULAR TOL ±				PRODUCT CUSTOMER DRAWING
▽ = 0	4 PLACES				
▽ = 0	3 PLACES				DOCUMENT NUMBER 349930001-SD
▽ = 0	2 PLACES				
▽ = 0	1 PLACE				DOC TYPE DOC PART REVISION PSD 000 A8
▽ = 0	0 PLACES				
■ = 0	DRAFT WHERE APPLICABLE MUST REMAIN WITHIN DIMENSIONS		THIRD ANGLE PROJECTION	DRAWING	SHEET NUMBER
▽ = 0			E-SIZE	34993	3 OF 3

BOM AND PIN OUT SHEET

ASSEMBLY DESCRIPTION	ASSEMBLY PART NUMBER	COMPONENT							BLOCKED TERMINALS																				STATUS	COMMENTS
		THE PRESENCE OF AN ABBREVIATION INDICATES THE PRESENCE OF THAT COMPONENT.							CAVITY WITH A NUMBER INDICATES BLOCKED TERMINAL POSITION CAVITY WITHOUT A NUMBER INDICATES OPEN TERMINAL POSITION																					
		OUTER HOUSING KEY/COLOR	INNER HOUSING	PLR	LEVER	LEVER ARM (x/2)	MAT SEAL	RING SEAL	1	2	-	-	5	-	7	8	9	-	-	-	-	15	16	17	18	19	96	-		
GPEC RCPT CONN 103 CKT TOP LVRKEY 1/46	349931011	1-BLACK	IH	PLR	LT	LA	M	R	-	-	-	-	44	-	46	-	-	-	-	51	52	53	-	55	-	-	-	-		
GPEC RCPT CONN 103 CKT TOP LVRKEY 1/54	349931012	1-BLACK	IH	PLR	LT	LA	M	R	-	-	-	-	24	25	26	-	-	-	-	-	33	34	-	36	-	38	-	-		
GPEC RCPT CONN 103 CKT TOP LVRKEY 1/45	349931013	1-BLACK	IH	PLR	LT	LA	M	R	-	-	-	-	44	-	46	-	-	-	-	51	52	53	-	55	-	-	-	-		
GPEC RCPT CONN 103 CKT TOP LVRKEY 1/54	349931014	1-BLACK	IH	PLR	LT	LA	M	R	1	2	-	-	-	-	7	8	9	-	-	-	-	-	15	-	-	-	-	-		
GPEC RCPT CONN 103 CKT TOP LVRKEY 1/45	349931015	1-BLACK	IH	PLR	LT	LA	M	R	-	-	-	-	43	44	-	46	47	-	-	-	51	52	53	-	55	-	57	-	-	
GPEC RCPT CONN 103 CKT TOP LVRKEY 1/52	349931016	1-BLACK	IH	PLR	LT	LA	M	R	1	2	-	-	5	-	-	8	-	-	-	-	-	15	-	17	18	-	96	-		
GPEC RCPT CONN 103 CKT TOP LVRKEY 1/58	349931017	1-BLACK	IH	PLR	LT	LA	M	R	-	-	-	-	24	25	-	-	28	29	-	-	-	33	34	-	-	-	38	-	-	
GPEC RCPT CONN 103 CKT TOP LVRKEY 1/49	349931018	1-BLACK	IH	PLR	LT	LA	M	R	-	-	-	-	43	44	-	46	47	-	-	-	51	52	53	-	-	-	57	-	-	
GPEC RCPT CONN 103 CKT TOP LVRKEY 1/56	349931019	1-BLACK	IH	PLR	LT	LA	M	R	1	2	-	-	5	-	-	8	-	-	-	-	-	15	-	17	18	-	96	-		
GPEC RCPT CONN 103 CKT TOP LVRKEY 1/44	349931020	1-BLACK	IH	PLR	LT	LA	M	R	-	-	-	-	24	25	26	-	28	29	-	-	-	33	34	35	36	37	38	-	-	

BOM AND PIN OUT SHEET

ASSEMBLY DESCRIPTION	ASSEMBLY PART NUMBER	COMPONENT							BLOCKED TERMINALS																				STATUS	COMMENTS
		THE PRESENCE OF AN ABBREVIATION INDICATES THE PRESENCE OF THAT COMPONENT.							CAVITY WITH A NUMBER INDICATES BLOCKED TERMINAL POSITION CAVITY WITHOUT A NUMBER INDICATES OPEN TERMINAL POSITION																					
		OUTER HOUSING KEY/COLOR	INNER HOUSING	PLR	LEVER	LEVER ARM (x/2)	MAT SEAL	RING SEAL	1	2	-	-	5	-	7	8	9	-	11	-	13	-	15	-	17	18	-	96		
GPEC RCPT CONN 103 CKT TOP LVRKEY 1/41	349931021	1-BLACK	IH	PLR	LT	LA	M	R	-	-	24	25	26	-	28	29	-	-	-	33	34	35	36	37	38	-	-			
GPEC RCPT CONN 103 CKT TOP LVRKEY 1/47	349931022	1-BLACK	IH	PLR	LT	LA	M	R	-	-	24	25	26	-	29	-	-	-	-	33	34	35	-	37	38	-	-			
GPEC RCPT CONN 103 CKT TOP LVRKEY 1/44	349931023	1-BLACK	IH	PLR	LT	LA	M	R	-	-	43	44	45	46	47	-	-	-	51	52	53	54	-	56	57	-	-			
GPEC RCPT CONN 103 CKT TOP LVRKEY 1/47	349931024	1-BLACK	IH	PLR	LT	LA	M	R	6	7	8	9	10	-	-	-	-	13	-	15	-	17	18	-	-	-				
GPEC RCPT CONN 103 CKT TOP LVRKEY 1/50	349931025	1-BLACK	IH	PLR	LT	LA	M	R	6	7	8	9	10	-	-	-	-	13	-	15	-	17	18	-	-	-				
GPEC RCPT CONN 103 CKT TOP LVRKEY 1/49	349931026	1-BLACK	IH	PLR	LT	LA	M	R	6	7	8	9	10	-	-	-	-	13	-	15	-	17	18	-	-	-				
GPEC RCPT CONN 103 CKT TOP LVRKEY 1/37	349931027	1-BLACK	IH	PLR	LT	LA	M	R	5	-	7	8	9	-	11	-	13	-	15	-	17	18	-	-	-					
GPEC RCPT CONN 103 CKT TOP LVRKEY 1/55	349931028	1-BLACK	IH	PLR	LT	LA	M	R	5	-	26	-	-	29	-	-	32	-	34	-	36	-	38	-	-					
GPEC RCPT CONN 103 CKT TOP LVRKEY 1/49	349931029	1-BLACK	IH	PLR	LT	LA	M	R	5	-	24	25	26	-	29	-	-	32	33	34	-	36	-	38	-	-				
GPEC RCPT CONN 103 CKT TOP LVRKEY 1/51	349931030	1-BLACK	IH	PLR	LT	LA	M	R	5	-	26	-	-	28	29	-	-	32	-	34	-	36	-	38	-	-				

BOM AND PIN OUT SHEET

ASSEMBLY DESCRIPTION	ASSEMBLY PART NUMBER	COMPONENT							BLOCKED TERMINALS																		STATUS	COMMENTS			
		THE PRESENCE OF AN ABBREVIATION INDICATES THE PRESENCE OF THAT COMPONENT.							CAVITY WITH A NUMBER INDICATES BLOCKED TERMINAL POSITION CAVITY WITHOUT A NUMBER INDICATES OPEN TERMINAL POSITION																						
		OUTER HOUSING KEY/COLOR	INNER HOUSING	PLR	LEVER	LEVER ARM (x/2)	MAT SEAL	RING SEAL																							
GPEC RCPT CONN 103 CKT END LVR KEY 5/61	349938016	5-BLACK	IH	PLR	LE	LA	M	R	1	-	-	-	5	-	-	-	-	-	-	-	-	-	-	16	-	-	19	-	-		
									20	-	22	23	24	-	-	-	-	-	30	-	32	-	-	35	-	37	38	-	-		
									-	-	-	-	-	44	45	-	-	-	-	-	-	52	53	-	55	56	57	-	-		
									-	-	-	-	-	-	-	-	-	-	-	-	-	-	-	73	74	75	-	-	-		
GPEC RCPT CONN 103 CKT END LVR KEY 5/61	349938017	5-BLACK	IH	PLR	LE	LA	M	R	1	2	-	4	-	-	-	-	-	-	11	-	-	-	-	16	-	-	19	-	-		
									-	-	22	-	24	-	26	-	-	29	-	-	32	-	-	35	36	-	38	-	-		
									-	-	-	-	43	-	-	-	-	-	-	-	-	52	53	-	55	56	57	-	-		
									58	-	60	-	-	-	-	-	-	-	-	-	-	-	-	73	74	75	-	-	-		
GPEC RCPT CONN 103 CKT END LVR KEY 5/48	349938018	5-BLACK	IH	PLR	LE	LA	M	R	1	-	3	4	5	-	7	-	9	10	-	-	-	-	-	16	17	-	-	-	-		
									20	21	22	23	24	25	26	27	-	-	-	-	32	33	34	35	36	-	38	-	-		
									-	-	-	-	-	44	45	-	47	-	-	-	-	52	53	54	-	-	-	-	-		
									-	-	-	-	-	-	-	-	-	-	68	69	70	71	72	-	74	75	76	-	-		
GPEC RCPT CONN 103 CKT END LVR KEY 5/61	349938019	5-BLACK	IH	PLR	LE	LA	M	R	1	2	3	-	-	-	-	-	-	-	12	-	-	-	-	-	-	-	-	-			
									20	21	-	-	-	-	26	27	-	-	-	-	32	-	34	35	36	-	38	-	-		
									-	-	-	-	-	44	45	-	-	-	-	-	-	52	53	54	-	-	57	-	-		
									-	-	60	-	-	-	-	-	-	-	-	-	-	-	-	73	74	75	76	-	-		
GPEC RCPT CONN 103 CKT END LVR KEY 5/102	349938020	5-BLACK	IH	PLR	LE	LA	M	R	-	-	-	-	-	-	-	-	-	-	-	-	-	-	-	-	-	-	-	-			
									-	-	-	-	-	-	-	-	-	-	-	-	-	-	-	-	-	-	-	-	-	-	
									-	-	-	-	-	-	-	-	-	-	-	-	-	-	-	-	-	-	-	-	-	-	-
									-	-	-	-	-	-	-	-	-	-	-	-	-	-	-	-	92	-	-	-	-	-	-
GPEC RCPT CONN 103 CKT END LVR KEY 5/61	349938021	5-BLACK	IH	PLR	LE	LA	M	R	1	2	-	4	-	-	-	-	-	-	-	-	-	-	-	-	-	19	-	-			
									-	-	22	-	-	-	26	-	-	29	30	-	32	-	-	35	-	37	38	-	-		
									-	-	-	-	43	44	45	-	-	-	-	-	-	52	53	-	55	56	57	-	-		
									-	-	60	-	-	-	-	-	-	-	-	-	-	-	-	73	74	75	76	-	-		
GPEC RCPT CONN 103 CKT END LVR KEY 5/74	349938022	5-BLACK	IH	PLR	LE	LA	M	R	-	-	3	-	-	-	-	-	-	-	-	-	-	-	-	-	-	-	-				
									-	-	-	23	-	-	26	-	-	-	-	-	-	-	-	35	-	37	38	-	-		
									-	-	-	-	43	-	-	-	-	-	-	-	-	50	-	-	54	-	56	-	-		
									-	-	-	-	-	-	-	-	-	-	-	-	-	-	-	72	73	74	75	-	-		
GPEC RCPT CONN 103 CKT END LVR KEY 5/48	349938023	5-BLACK	IH	PLR	LE	LA	M	R	1	2	3	4	5	-	7	-	9	-	11	-	-	-	-	16	17	18	19	-	-		
									20	21	22	23	24	25	-	27	-	-	30	-	32	-	34	35	36	37	38	-	-		
									-	-	-	-	-	44	45	-	-	-	-	-	-	52	53	-	55	56	57	-	-		
									-	-	-	-	-	-	-	-	-	-	-	-	-	-	-	73	74	75	-	-	-		
GPEC RCPT CONN 103 CKT END LVR KEY 5/50	349938024	5-BLACK	IH	PLR	LE	LA	M	R	1	-	3	4	5	-	7	-	9	-	11	-	-	-	-	16	17	18	19	-	-		
									20	21	22	23	24	25	-	27	-	-	30	-	32	-	34	35	36	37	38	-	-		
									-	-	-	-	-	44	45	-	-	-	-	-	-	52	53	-	55	56	-	-			
									-	-	-	-	-	-	-	-	-	-	-	-	-	-	-	73	74	75	-	-	-		
GPEC RCPT CONN 103 CKT END LVR KEY 5/65	349938025	5-BLACK	IH	PLR	LE	LA	M	R	1	2	3	4	-	-	-	-	-	-	11	-	-	-	-	-	-	-	-	-			
									-	-	22	-	24	-	26	-	-	29	-	-	32	-	-	35	36	-	38	-	-		
									-	-	-	-	43	-	-	-	-	-	-	-	-	-	-	53	-	55	56	57	-	-	
									-	-	60	-	-	-	-	-	-	-	-	-	-	-	-	73	74	75	-	-	-		
									77	78	-	-	-	82	83	84	85	86	87	88	89	90	-	92	93	94	95	-	-		

BOM AND PIN OUT SHEET

ASSEMBLY DESCRIPTION	ASSEMBLY PART NUMBER	COMPONENT							BLOCKED TERMINALS																				STATUS	COMMENTS						
		THE PRESENCE OF AN ABBREVIATION INDICATES THE PRESENCE OF THAT COMPONENT.							CAVITY WITH A NUMBER INDICATES BLOCKED TERMINAL POSITION CAVITY WITHOUT A NUMBER INDICATES OPEN TERMINAL POSITION																											
		OUTER HOUSING KEY/COLOR	INNER HOUSING	PLR	LEVER	LEVER ARM (x/2)	MAT SEAL	RING SEAL																												
GPEC RCPT CONN 103 CKT TOP LVR KEY 5/49	349939008	5-BLACK	IH	PLR	LT	LA	M	R	-	-	-	4	5	6	7	8	9	10	11	12	13	-	-	-	-	-	-	96	-							
									20	21	-	-	-	-	26	-	28	-	30	31	-	-	-	35	-	-	-	-	-	-	-	98	-			
									39	40	-	-	43	44	45	46	47	48	-	-	-	-	-	-	55	56	57	-	-	-	-	-	100	-		
									58	-	60	61	62	63	64	65	-	-	68	-	-	71	72	73	74	75	-	-	-	-	-	-	102	-		
GPEC RCPT CONN 103 CKT TOP LVR KEY 5/58	349939009	5-BLACK	IH	PLR	LT	LA	M	R	-	-	-	4	5	6	7	8	9	10	11	-	13	-	-	-	-	-	-	96	-							
									-	-	-	-	-	-	26	-	28	-	30	31	-	-	-	35	-	-	-	-	-	-	-	98	-			
									39	40	-	-	43	44	45	46	47	48	-	-	-	-	-	-	-	-	-	-	-	-	-	57	-	100	-	
									58	-	60	61	62	63	64	65	-	-	68	69	-	71	72	73	74	75	-	-	-	-	-	-	102	-		
GPEC RCPT CONN 103 CKT TOP LVR KEY 5/103	349939010	5-BLACK	IH	PLR	LT	LA	M	R	-	-	-	-	-	-	-	-	-	-	-	-	-	-	-	-	-	-	-	-	-	-						
									-	-	-	-	-	-	-	-	-	-	-	-	-	-	-	-	-	-	-	-	-	-	-	-	-	-	-	
									-	-	-	-	-	-	-	-	-	-	-	-	-	-	-	-	-	-	-	-	-	-	-	-	-	-	-	-
									-	-	-	-	-	-	-	-	-	-	-	-	-	-	-	-	-	-	-	-	-	-	-	-	-	-	-	-
GPEC RCPT CONN 103 CKT TOP LVR KEY 5/49	349939011	5-BLACK	IH	PLR	LT	LA	M	R	-	-	-	4	5	6	7	8	9	10	11	12	13	-	-	-	-	-	-	96	-							
									-	21	-	23	-	-	26	-	28	-	-	31	-	-	-	35	-	-	-	-	-	-	-	-	98	-		
									39	40	-	-	43	44	45	46	47	48	-	-	-	-	-	-	-	-	-	-	-	-	-	57	-	100	-	
									58	59	60	61	62	63	64	65	-	-	68	69	-	71	-	73	74	-	-	-	-	-	-	-	102	-		
GPEC RCPT CONN 103 CKT TOP LVR KEY 5/40	349939012	5-BLACK	IH	PLR	LT	LA	M	R	1	2	3	4	5	6	-	-	9	-	11	12	-	-	15	16	-	-	19	96	-							
									20	21	-	-	-	25	26	27	-	-	30	31	32	33	34	-	-	37	-	-	-	-	-	98	-			
									39	-	-	42	43	44	45	-	-	48	49	-	-	-	-	54	55	-	57	-	-	-	-	-	-	-	-	
									58	-	60	61	62	63	64	-	-	67	68	69	-	71	72	-	74	75	76	-	-	-	-	-	-	-	-	