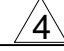
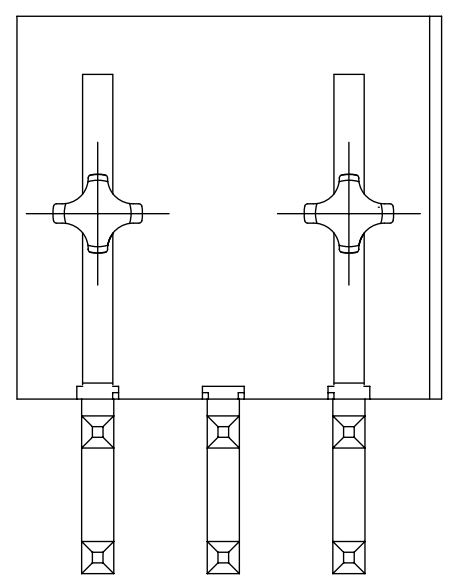
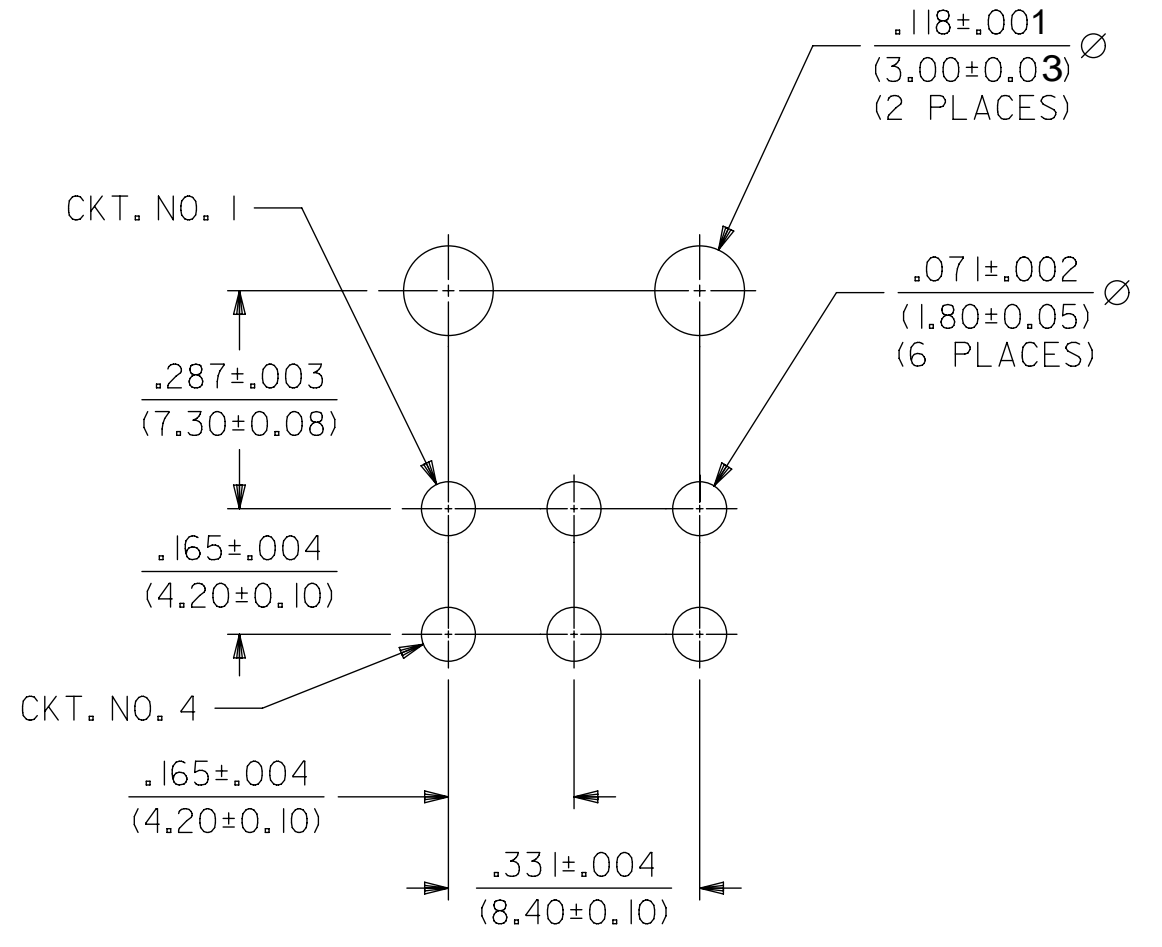
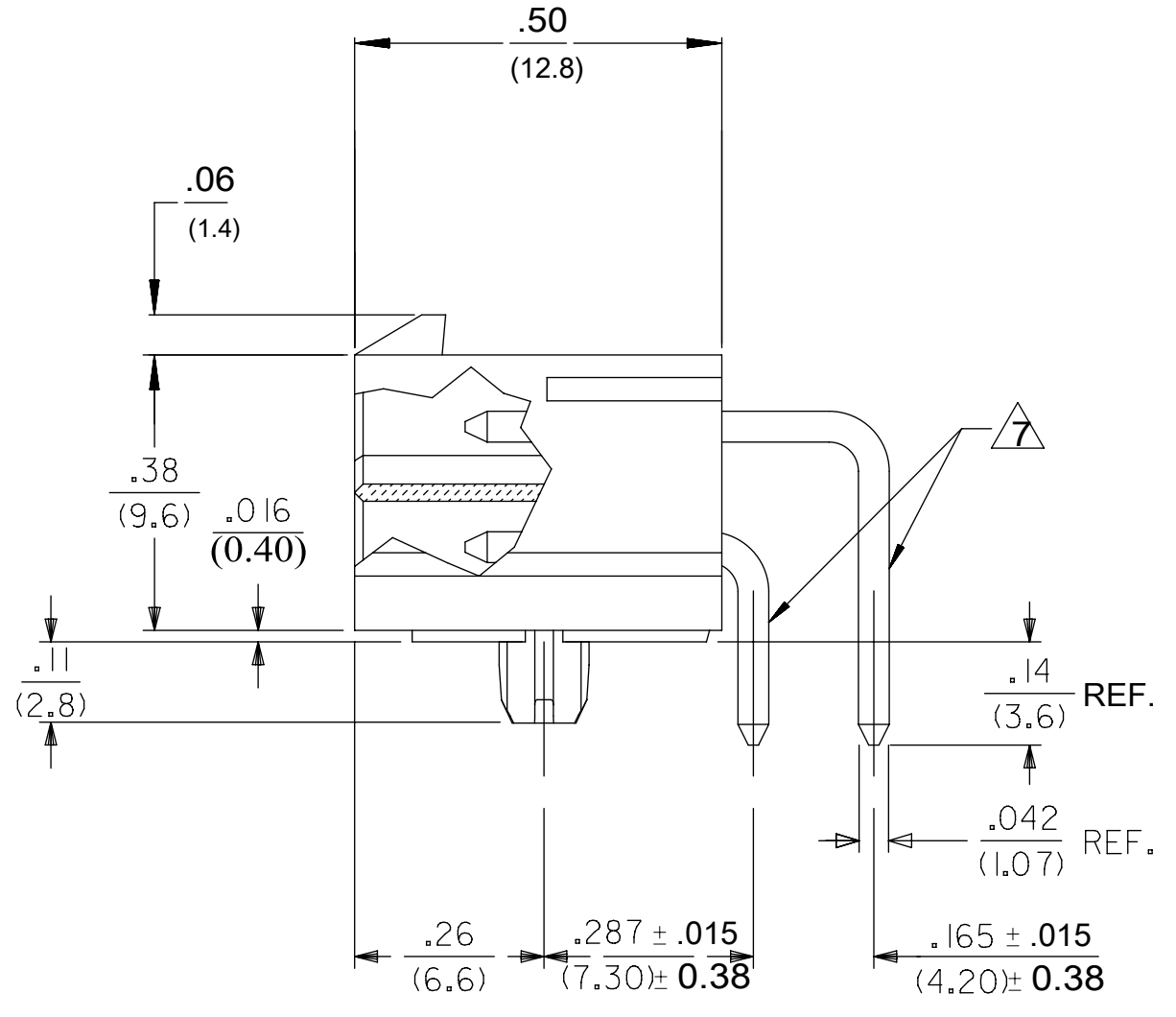
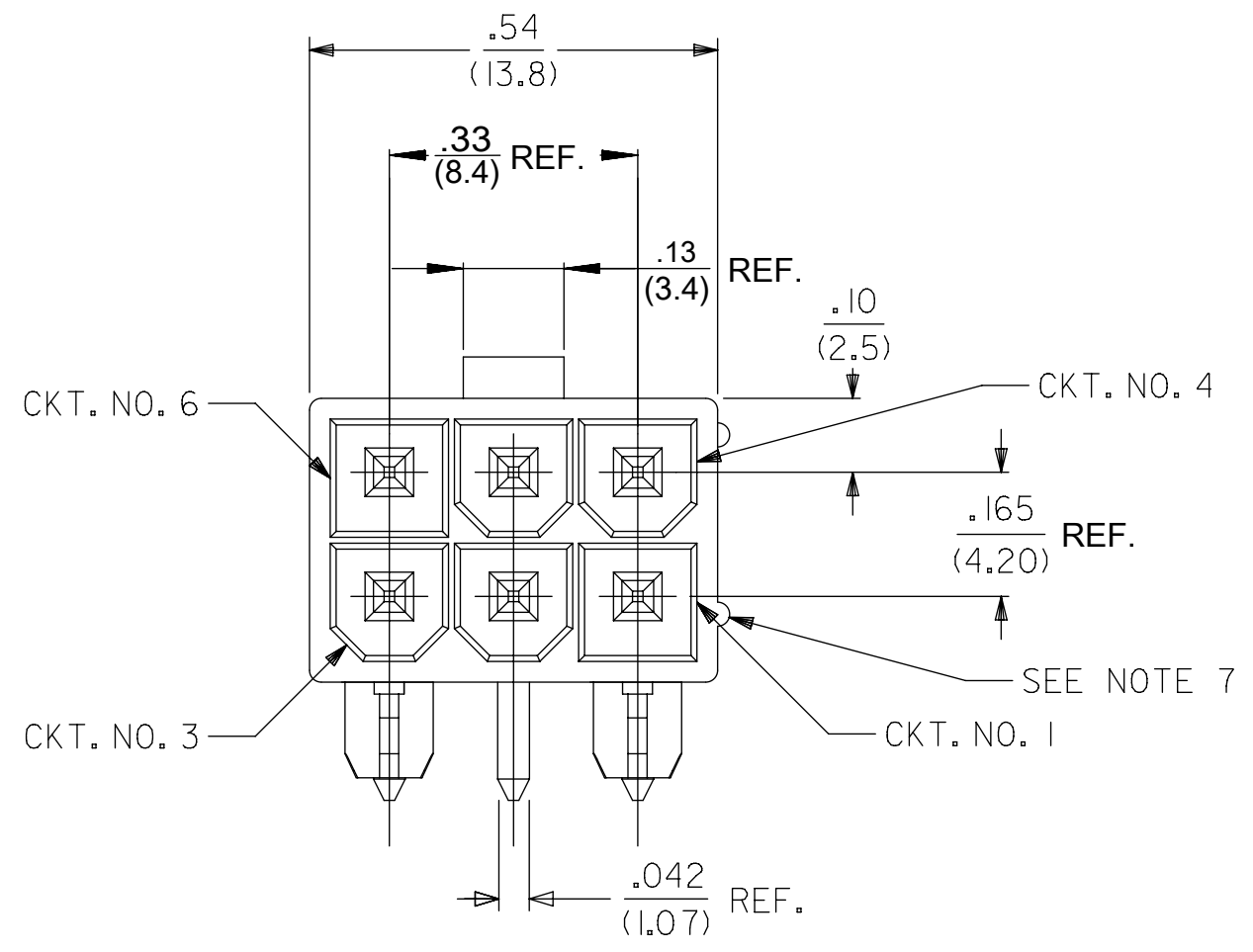

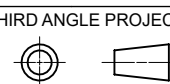


MATERIAL NO.	PACKAGING TYPE 
457320001	BULK
457320003	TRAY
457320004	TAPE & REEL

- NOTES:
- MATERIAL:  
HOUSING: LCP, UL94 V-0, COLOR: BLACK  
TERMINALS: BRASS
  - TERMINAL FINISH:  
.000100/(.00254) MIN. MATTE TIN OVER  
.000050/(.00127) MIN. NICKEL OVERALL.
  - PRODUCT SPECIFICATION: PS-45558-001
  - PACKAGING SPECIFICATION:  
BULK PER PK-5569-002  
TRAY PER PK-5569-003  
TAPE & REEL PER RPK-5569-004
  - PARTS MATE WITH MINI-FIT JR. RECEPTACLE 455590002.
  - FULL RIB INDICATES CIRCUIT NO. 1.
  - FORMING MARKS ON PINS ARE ACCEPTABLE
  - PARTS ARE NOT TO BE MATED OR UNMATED WHILE CIRCUITS ARE LIVE.
  - PEGS ARE DESIGNED FOR A PRESS FIT INTO THE P.C. BOARD.
  - PARTS ARE NOT DESIGNED FOR CURRENT SHARING.
  - DISCOLORATION IN THE BANDOLIER CARRIER AREA OF THE PIN IS INHERENT TO THE PLATING PROCESS AND IS DUE TO THE MASKING EFFECT OF THE CARRIER. THIS DISCOLORATION IS IN A NON-FUNCTIONAL AREA OF THE PIN AND WILL NOT AFFECT THE PERFORMANCE OF THE HEADER ASSEMBLY.
  - PART CONFORMS TO CLASS "B" REQUIREMENTS OF COSMETIC SPECIFICATION PS-45499-002.



THIS DRAWING CONTAINS INFORMATION THAT IS PROPRIETARY TO MOLEX ELECTRONIC TECHNOLOGIES, LLC AND SHOULD NOT BE USED WITHOUT WRITTEN PERMISSION														
DIMENSION UNITS		SCALE		CURRENT REV DESC:										
INCH/MM		NTS		EC NO: 702477 DRWN: HPAN18 2022/03/23 CHK'D: XQZHANG 2022/04/08 APPR: XQZHANG 2022/04/08										
GENERAL TOLERANCES (UNLESS SPECIFIED)				MM		INCH		INITIAL REVISION:		DOCUMENT NUMBER		DOC TYPE	DOC PART	REVISION
4 PLACES		±		±		±		DRWN: GEP 2005/03/12		SD-45732-001		PSD	000	B5
3 PLACES		±		±		±		APPR: FSMITH 2012/02/02		MATERIAL NUMBER		CUSTOMER		SHEET NUMBER
2 PLACES		±		0.25		±		0.015		SEE TABLE		GENERAL MARKET		1 OF 1
1 PLACE		±		0.38		±								
0 PLACES		±		±		±								
ANGULAR TOL		±		0.5°		±								
DRAFT WHERE APPLICABLE MUST REMAIN WITHIN DIMENSIONS				THIRD ANGLE PROJECTION		DRAWING		SERIES						
						C-SIZE		45732						

DOCUMENT STATUS	P1	RELEASE DATE	2022/04/08	03:38:03
-----------------	----	--------------	------------	----------