

Power Choke Coil

Series: **PCC-M0512W (MC)**

High power, Low loss, Low-profile



■ Features

- Small type (5.4×5.15×H1.2 mm)
- High power (2.2 A to 5.5 A)
- Low loss (R_{DC} :19.2 to 168.0 mΩ)
- Suitable for high frequency circuit (up to 1 MHz)
- Low buzz noise due to its gap-less structure
- RoHS compliant

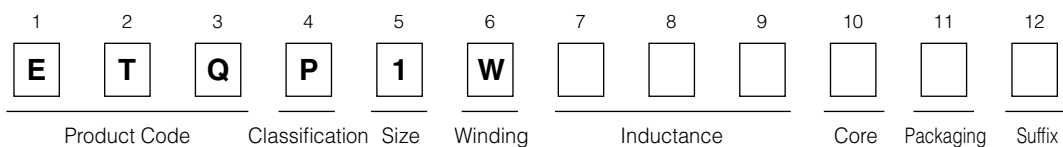
■ Recommended Applications

- HDD, Tablet PC power supply modules
- Servers, Routers, DC-DC converters for driving CPUs

■ Standard Packing Quantity

- 3000 pcs./Reel

■ Explanation of Part Numbers



■ Standard Parts

Part No.	Inductance (at 20 °C)*1			Rated current (A)*2	DC resistance (at 20 °C) (mΩ)
	L0 at 0A	L1*3			
	(μH)	(μH)	Measurement current (A)		
ETQP1WR47WFP	0.47±20 %	(0.42)	5.5	5.5	19.2
ETQP1W1R0WFP	1.00±20 %	(0.87)	4.4	4.4	46.5
ETQP1W2R2WFP	2.20±20 %	(1.80)	3.4	3.4	77.3
ETQP1W3R3WFP	3.30±20 %	(2.70)	2.8	2.8	103.0
ETQP1W4R7WFP	4.70±20 %	(3.90)	2.2	2.2	168.0

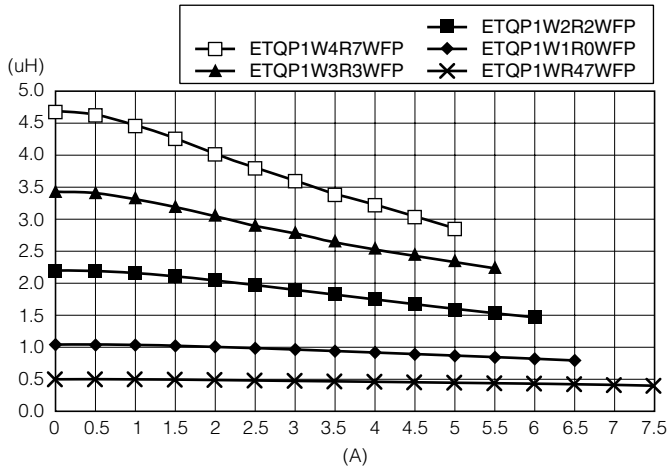
(*1) Inductance is measured at 100 kHz.

(*2) Rated current defines actual value of DC current, when temperature rise of coil becomes 40 K.

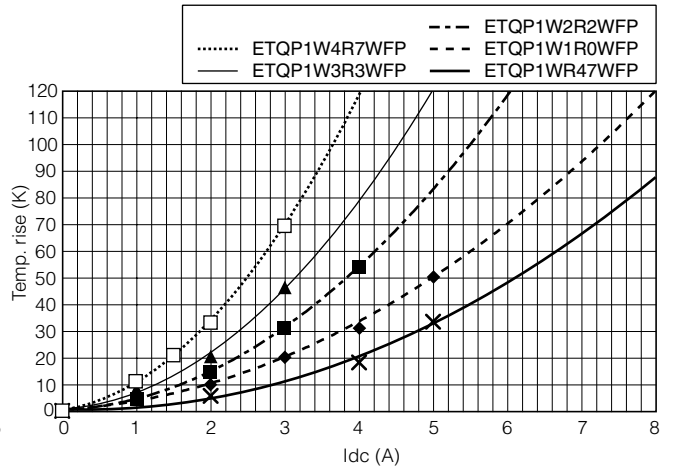
(*3) Reference Only

■ Performance Characteristics (Reference)

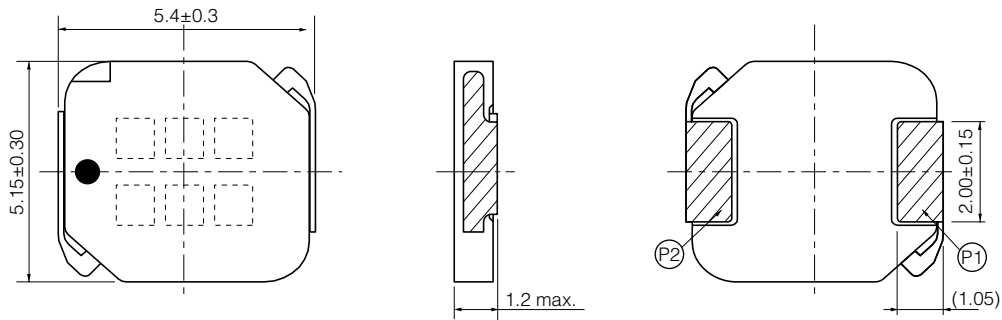
Inductance vs DC Current



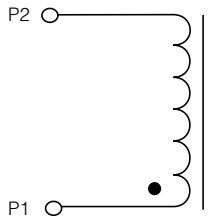
Case Temperature vs DC Current



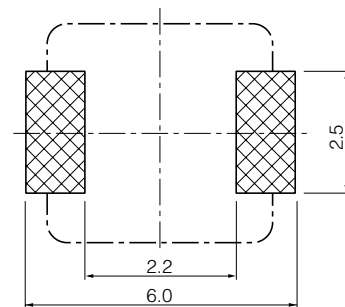
■ Dimensions in mm (not to scale)



■ Connection



■ Recommended Land Pattern in mm (not to scale)



■ Packaging Methods, Soldering Conditions and Safety Precautions (Power Choke Coils for Consumer use)

Please see Data Files