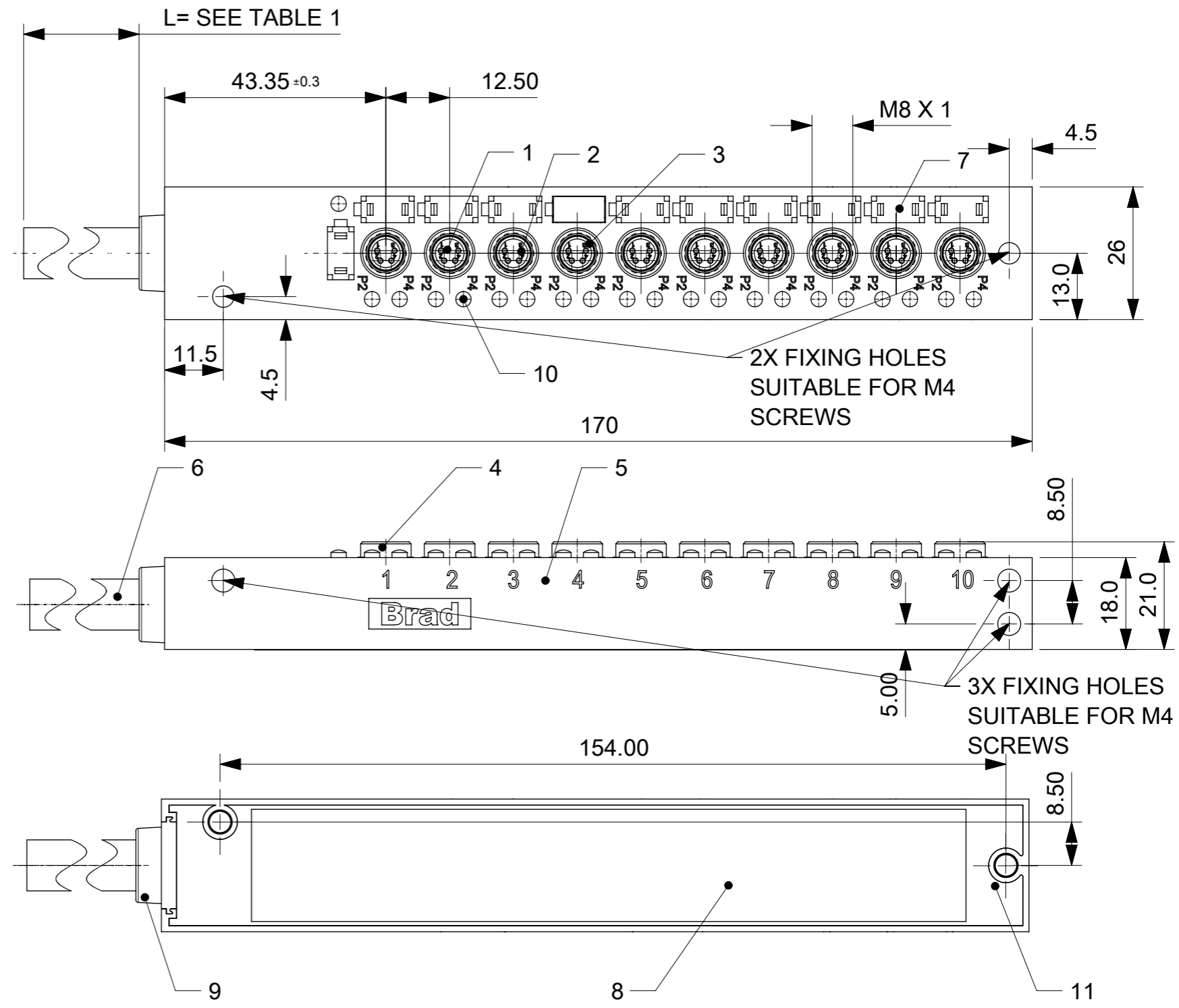


TABLE 1

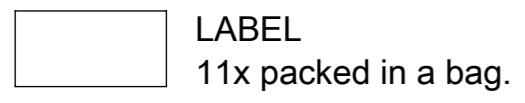
MOLEX P/N	ENG. NO.	CABLE LENGTH (MM)	LED
1202470024	BEBA03P-FBW-05	5000	YES
1202470025	BEBA03P-FBW-10	10000	YES
1202470026	BEBA03P-FBW-15	15000	YES
1202470027	BEBA03P-FBW-20	20000	YES
1202470055	BEBA030-FBW-05	5000	NO
12024700556	BEBA030-FBW-05	10000	NO
1202470057	BEBA030-FBW-05	15000	NO

TABLE 2

ITEM	COMPONENT	MATERIAL	FINISH
1	INSERT	POLYESTER	BLACK
2	CONTACT SOCKET	COPPER ALLOY	GOLD OVER NICKEL
3	O-RING	VITON	RED
4	RECEPTACLE SHELL	BRASS	NICKEL PLATED
5	HOUSING	PBT	BLACK
6	CABLE	TPU	BLACK
7	LABEL	ABS	WHITE
8	LABLE ADHESIVE	PE	WHITE
9	CABLE PLATE	PBT	BLACK
10	LED	NO LED = PA	BLACK
		WITH LED = PA	TRANSPARENT
11	RESIN	EPOXY	TRANSPARENT

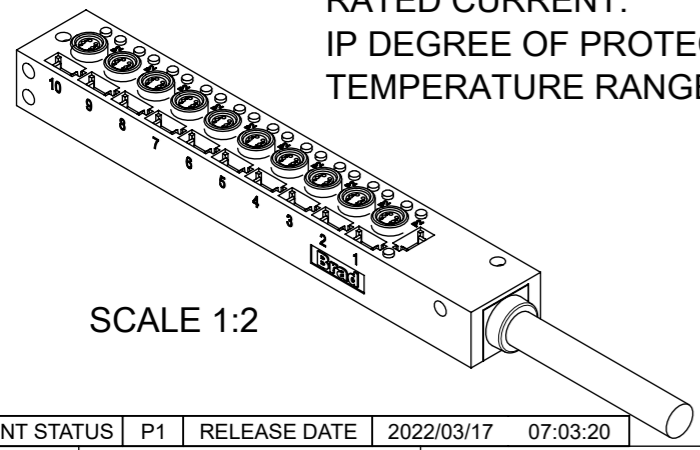


SCALE 2:1



GENERAL CHARACTERISTICS:

NOMINAL VOLTAGE: 24 V DC
 RATED CURRENT: 2 A PER PORT / 6 A MAX: TOTAL
 IP DEGREE OF PROTECTION: IP 68
 TEMPERATURE RANGE: -25°C to + 85°C

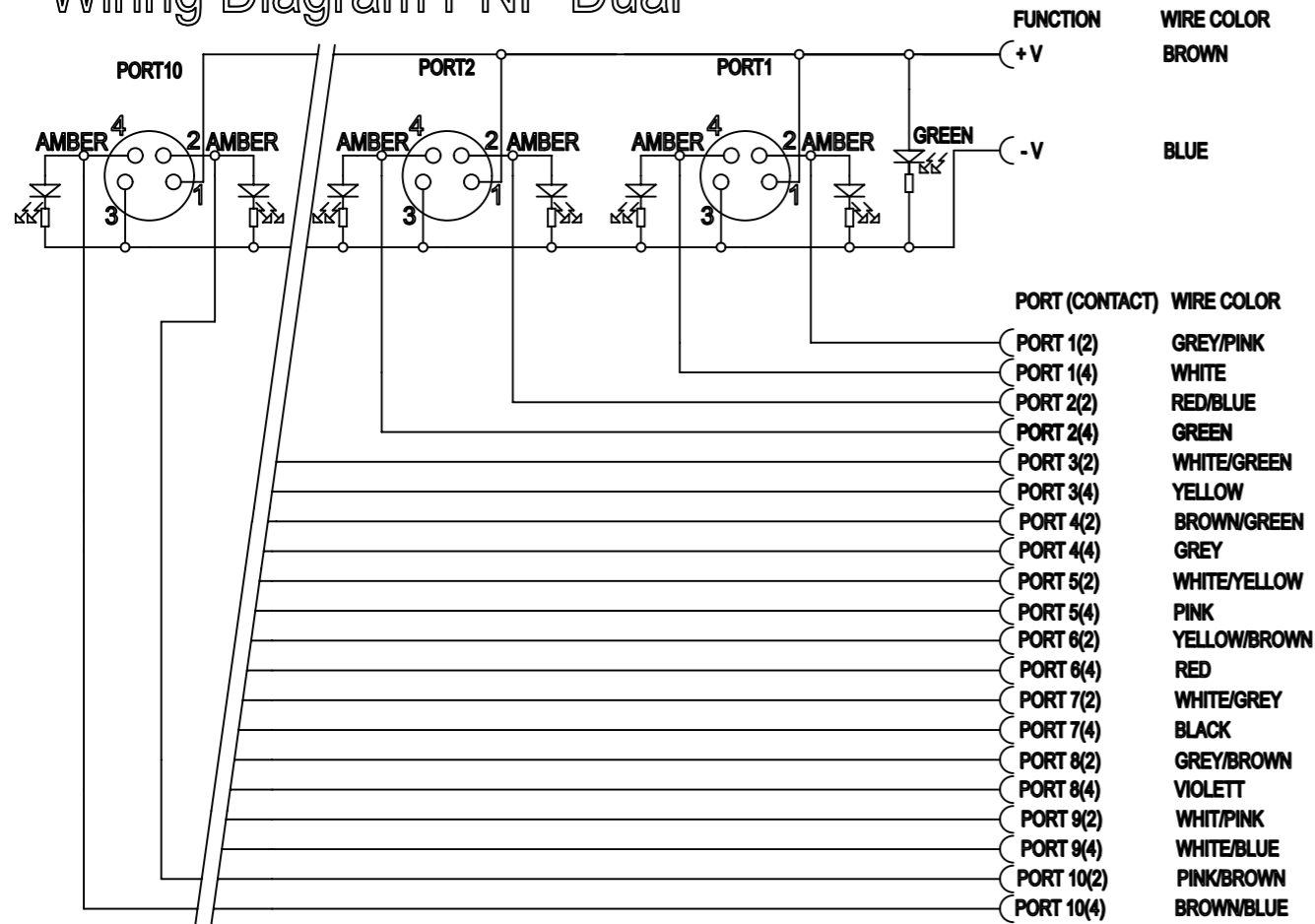


CABLE LENGTH TOLERANCES

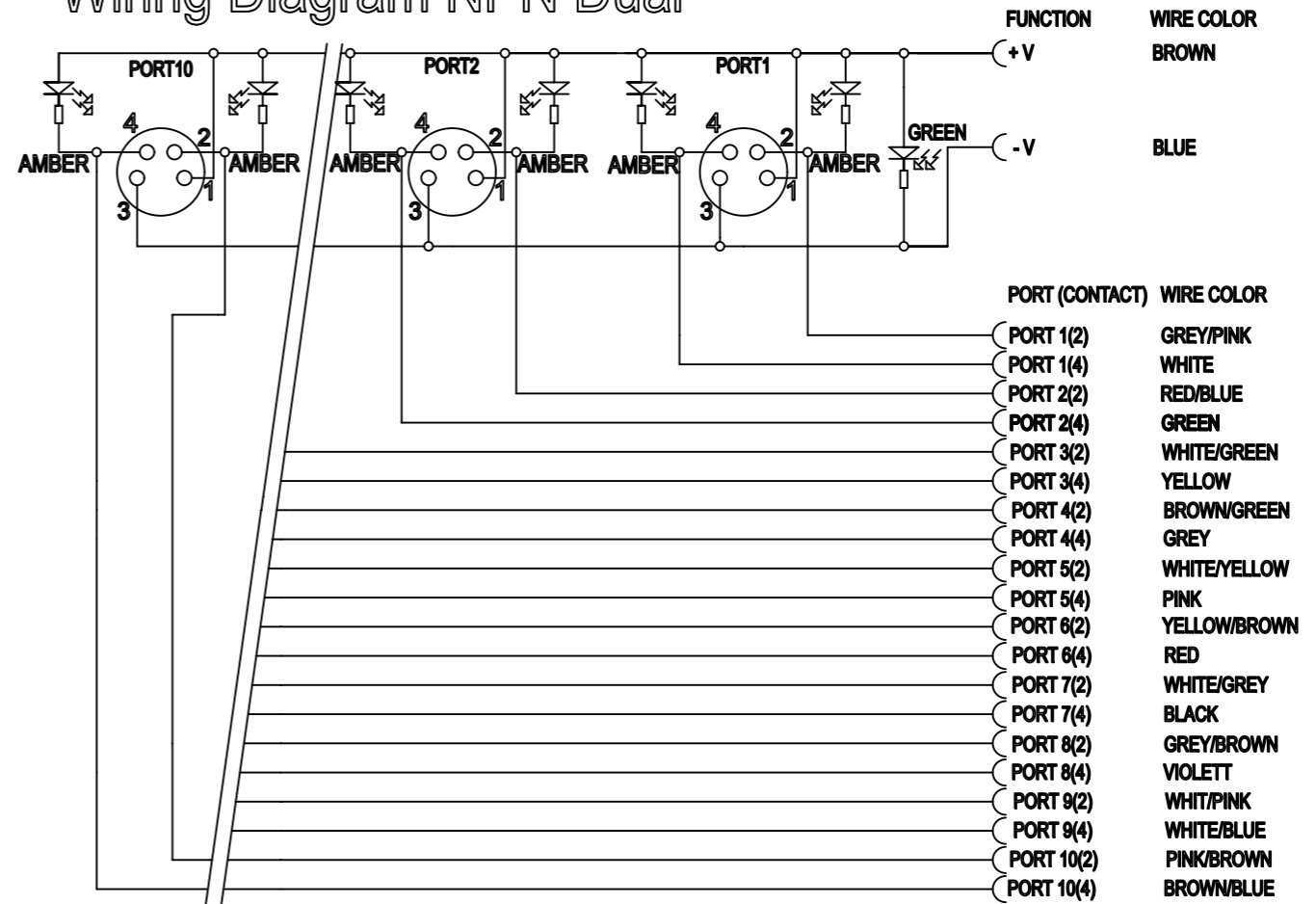
LENGTH	TOLERANCE
0m-1m	+40 mm
>1m-5m	+60 mm
>5m-10m	+80 mm
>10m-20m	+140 mm
>20m-30m	+160 mm
>30m	+1% length

FUNCTIONAL SYMBOLS	THIS DRAWING CONTAINS INFORMATION THAT IS PROPRIETARY TO MOLEX ELECTRONIC TECHNOLOGIES, LLC AND SHOULD NOT BE USED WITHOUT WRITTEN PERMISSION	
$\nabla_A = 0$ $\nabla_E = 0$ $\nabla_V = 0$	DIMENSION UNITS: mm SCALE: 1:1 GENERAL TOLERANCES (UNLESS SPECIFIED) ANGULAR TOL: ± ° 4 PLACES ± 3 PLACES ± 2 PLACES ± 0.2 1 PLACE ± 0.3 0 PLACES ± 0.5	CURRENT REV DESC: ADDED CABLE TOLERANCE TABLE EC NO: 699789 DRWN: MDHARMANTI 2022/03/11 CHK'D: RSILLER 2022/03/17 APPR: RSILLER 2022/03/17 INITIAL REVISION: DRWN: ULETTENMEIER 2015/01/20 APPR: RSILLER 2015/04/22
DIVISIONAL SYMBOLS	THIRD ANGLE PROJECTION DRAWING: A3-SIZE SERIES: 120247 MATERIAL NUMBER: SEE TABLE 1 CUSTOMER: GENERAL MARKET SHEET NUMBER: 1 OF 2	
DOCUMENT STATUS: P1 RELEASE DATE: 2022/03/17 07:03:20		PRODUCT CUSTOMER DRAWING DOCUMENT NUMBER: 1202470024 DOC TYPE: PSD DOC PART: 000 REVISION: B1

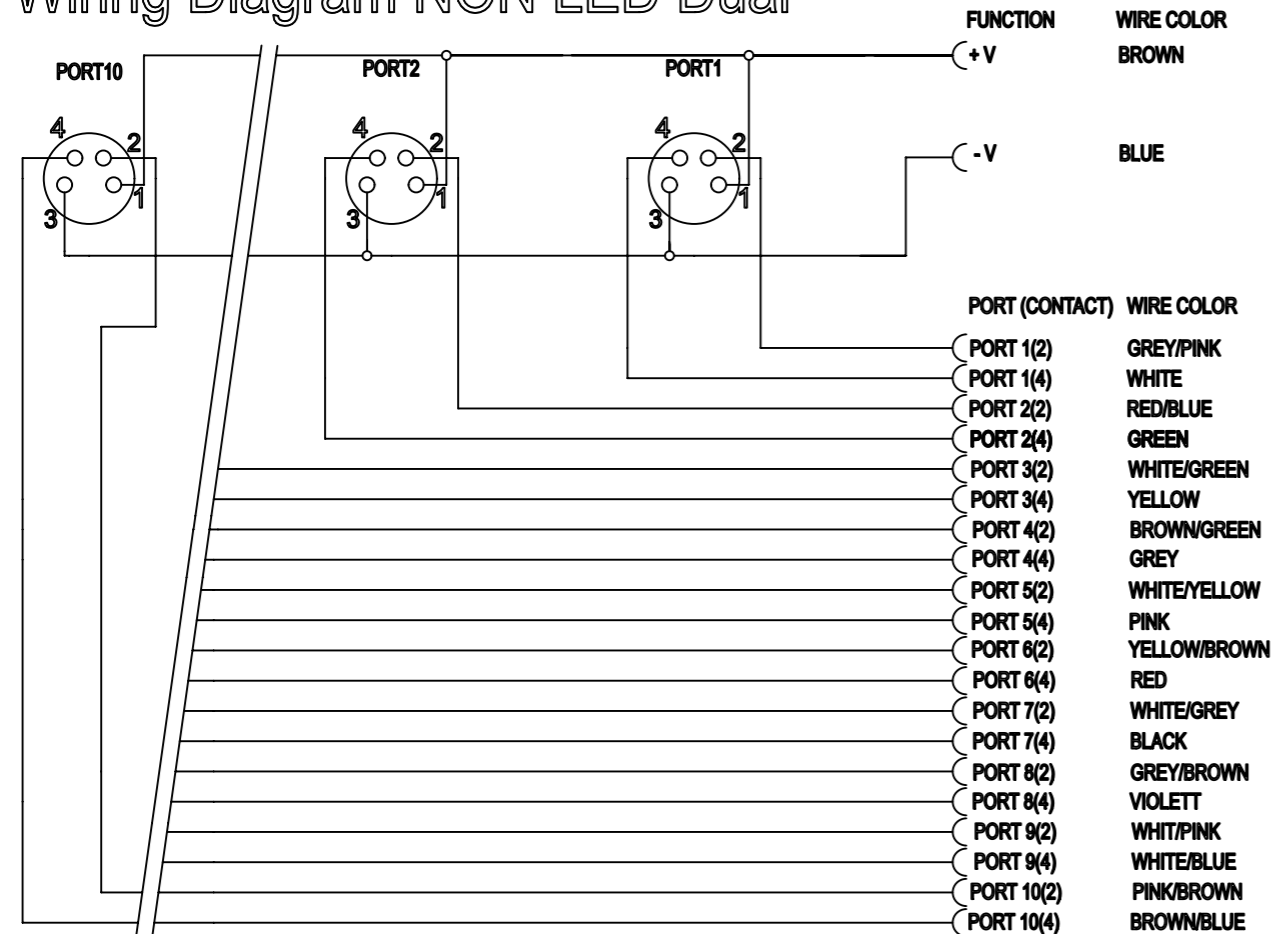
Wiring Diagram PNP Dual



Wiring Diagram NPN Dual



Wiring Diagram NON LED Dual



FUNCTIONAL SYMBOLS	THIS DRAWING CONTAINS INFORMATION THAT IS PROPRIETARY TO MOLEX ELECTRONIC TECHNOLOGIES, LLC AND SHOULD NOT BE USED WITHOUT WRITTEN PERMISSION							
	DIMENSION UNITS	SCALE			CURRENT REV DESC: ADDED CABLE TOLERANCE TABLE			
DIVISIONAL SYMBOLS	$\nabla_A = 0$	mm	1:1	EC NO: 699789 DRWN: MDHARMANTI 2022/03/11 CHK'D: RSILLER 2022/03/17 APPR: RSILLER 2022/03/17 INITIAL REVISION: DRWN: ULETTENMEIER 2015/01/20 APPR: RSILLER 2015/04/22	MPIS M8 PNP NPN NOS 4P 10PT BK XM DUAL			
	GENERAL TOLERANCES (UNLESS SPECIFIED)		PRODUCT CUSTOMER DRAWING					
	ANGULAR TOL ± °		4 PLACES ±		DOCUMENT NUMBER			
	3 PLACES ±		2 PLACES ± 0.2		1202470024		DOC TYPE	
	1 PLACE ± 0.3		0 PLACES ± 0.5		PSD		DOC PART	
DRAFT WHERE APPLICABLE MUST REMAIN WITHIN DIMENSIONS		THIRD ANGLE PROJECTION		SERIES		REVISION		
		DRAWING		MATERIAL NUMBER		CUSTOMER		
		A3-SIZE		120247		SEE TABLE 1		
				GENERAL MARKET		2 OF 2		