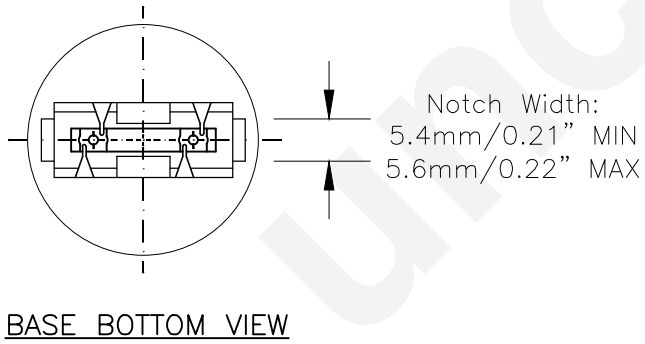
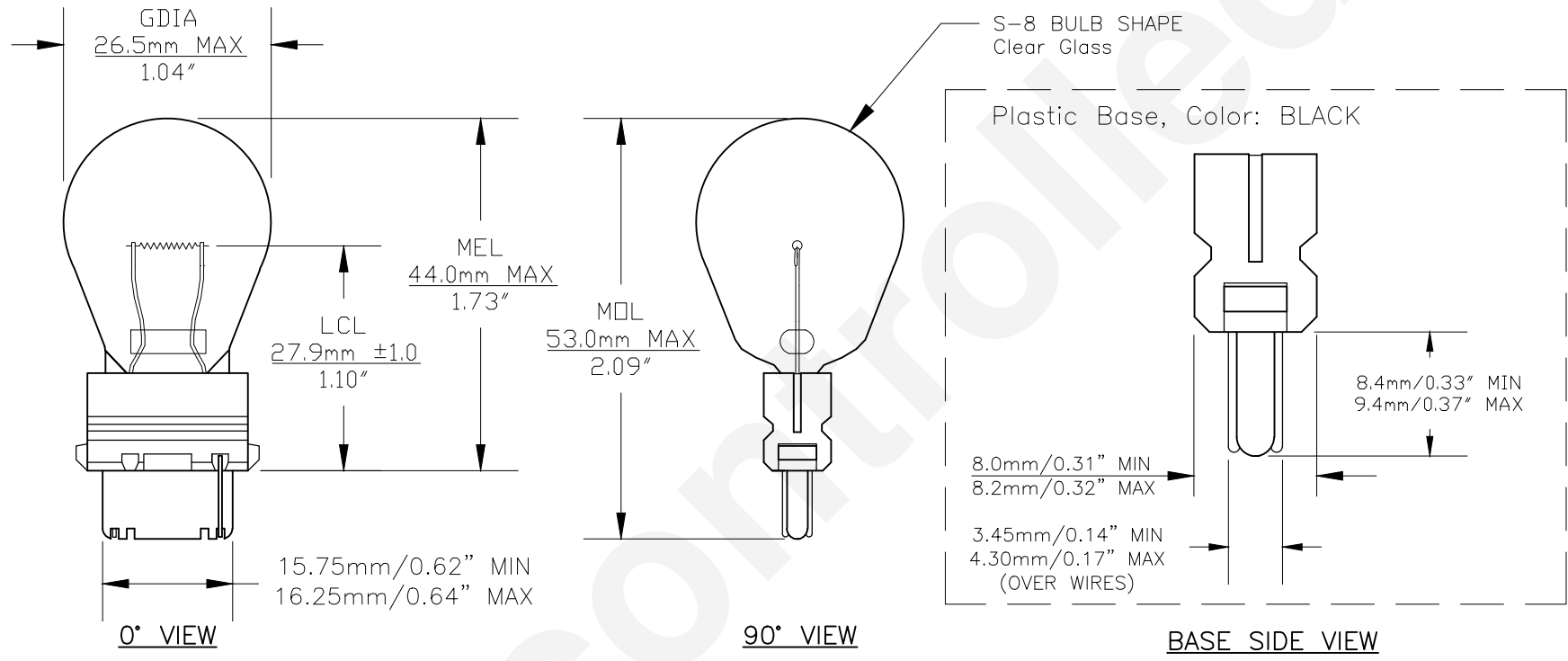




PART NO.	BASE TYPE	DESIGN VOLTS	DESIGN AMPS	MSCD	FILAMENT TYPE	AVERAGE LIFE HOURS	REVISIONS			
							REV #	DESCRIPTION	DATE	APPROVED
3155LL	S.F. Plastic Wedge W2.5X16d	12.8V	1.60±5%	21±10%	C-6	2,000	1	ISSUED	10/21/2014	R.M.



Note: Made according to SAE specifications



UNLESS OTHERWISE SPECIFIED: DIMENSIONS ARE IN INCHES TOLERANCES		CEC INDUSTRIES LTD			
DECIMALS	ANGULAR	599 BOND STREET		LINCOLNSHIRE, IL 60069	
.XX ± .05	± 0.5°	TITLE LIGHT BULB NO. 3155LL			
.XXX ± .010		DATE	10/21/2014	SIZE	A
FRACTIONAL	± 1/64	CHECKED		FSCM NO.	
		DESIGN		DWG NO.	3155LL
		MATERIAL		REV	1
		SCALE		PLOT SCALE	
		FILE	3155LL.pdf	SHEET	1 OF 1
					DRAWING NOT TO SCALE