

THE INFORMATION CONTAINED HEREIN IS CONSIDERED "PROPRIETARY" TO BEL FUSE INC. AND SHALL NOT BE COPIED, REPRODUCED OR DISCLOSED WITHOUT THE WRITTEN APPROVAL OF BEL FUSE INC.

PRELIMINARY



ELECTRICAL CHARACTERISTICS @ 25°C

URNS RATIO

TP1	1CT : 1CT ±2%
TP2	1CT : 1CT ±2%
TP3	1CT : 1CT ±2%
TP4	1CT : 1CT ±2%

CL @ 100kHz/100mVRMS

FOR CHANNEL 1 AND CHANNEL 2
11mA DC BIAS 350µH MIN.
Compliant to IEEE 802.3at specification

FOR CHANNEL 3 AND CHANNEL 4

8mA DC BIAS 350µH MIN.

INS. LOSS

0.1MHz TO 1MHz	-1.1 dB MAX
1MHz TO 65MHz	-0.5 dB MAX
65MHz TO 100MHz	-0.8 dB MAX
100MHz TO 125MHz	-1.2 dB MAX

RET. LOSS (MIN) @ 100ΩHMS ±15%

0.5MHz-40MHz	-18 dB
40MHz-100MHz	-12+20LOG(f/80MHz) dB

CM TO CM REJ

100kHz - 100MHz	-30 dB MIN
-----------------	------------

CM TO DM REJ

100kHz - 100MHz	-35 dB MIN
-----------------	------------

HIPOT (Isolation Voltage): 2250 VDC

100% OF PRODUCTION TESTED TO COMPLY WITH

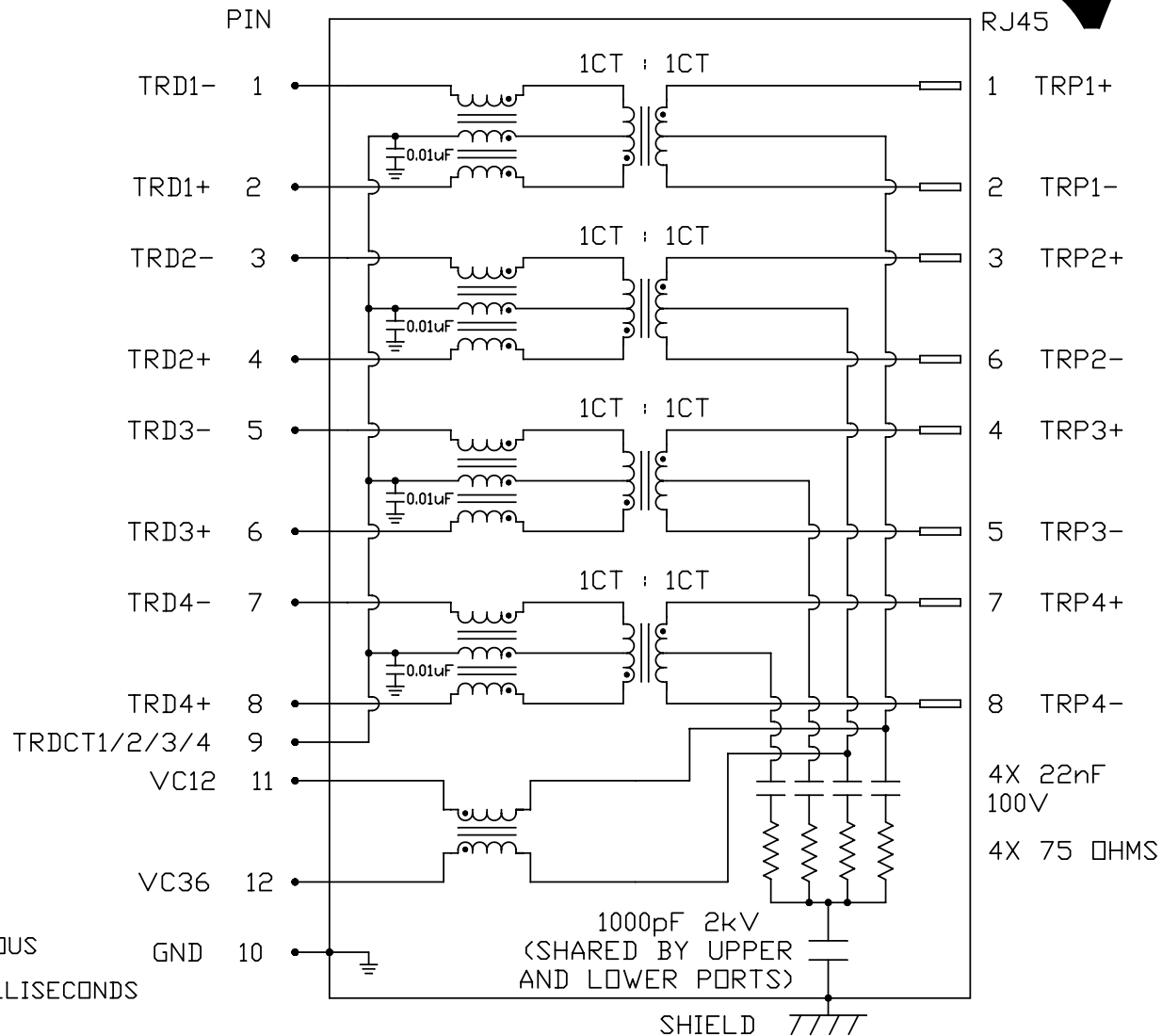
IEEE 802.3 ISOLATION REQUIREMENTS.

BALANCED DC LINE CURRENT 720 mA MAX. @ 57 VDC CONTINUOUS

1.2A MAX. @ 57 VDC FOR 200 MILLISECONDS

OPERATING TEMPERATURE -40°C TO +85°C

SCHEMATIC



ORIGINATED BY	DATE
CHOW WANCHUNG	04-02-09
DRAWN BY	DATE
LI WEIDE	04-02-09

TITLE	2X6 gigabit MagJack® PoE (WITH EXTENDED TEMPERATURE)
FILE NAME	0854-2X6R-GK-F

PART NO. / DRAWING NO.	08542X6RGK-F
STANDARD DIM. TOL. IN INCH	.X .XX .XXX

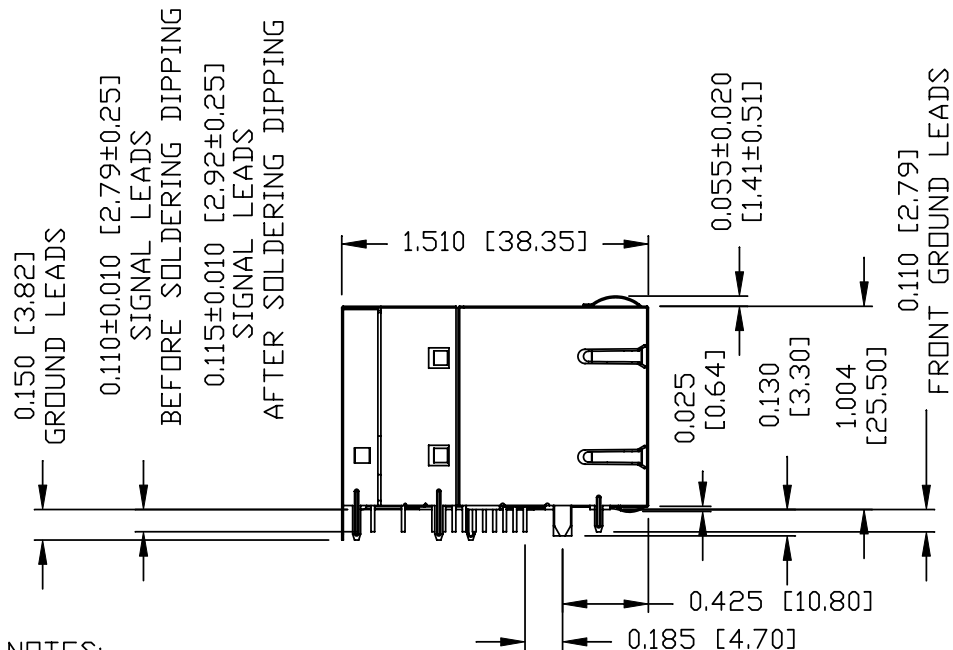
[] METRIC DIM. AS REFERENCE	REV. : PB
UNIT : INCH [mm]	SIZE : A4
SCALE : N/A	PAGE : 2



THE INFORMATION CONTAINED HEREIN IS CONSIDERED "PROPRIETARY" TO BEL FUSE INC. AND SHALL NOT BE COPIED, REPRODUCED OR DISCLOSED WITHOUT THE WRITTEN APPROVAL OF BEL FUSE INC.

PRELIMINARY

RoHS
2002/95/EC

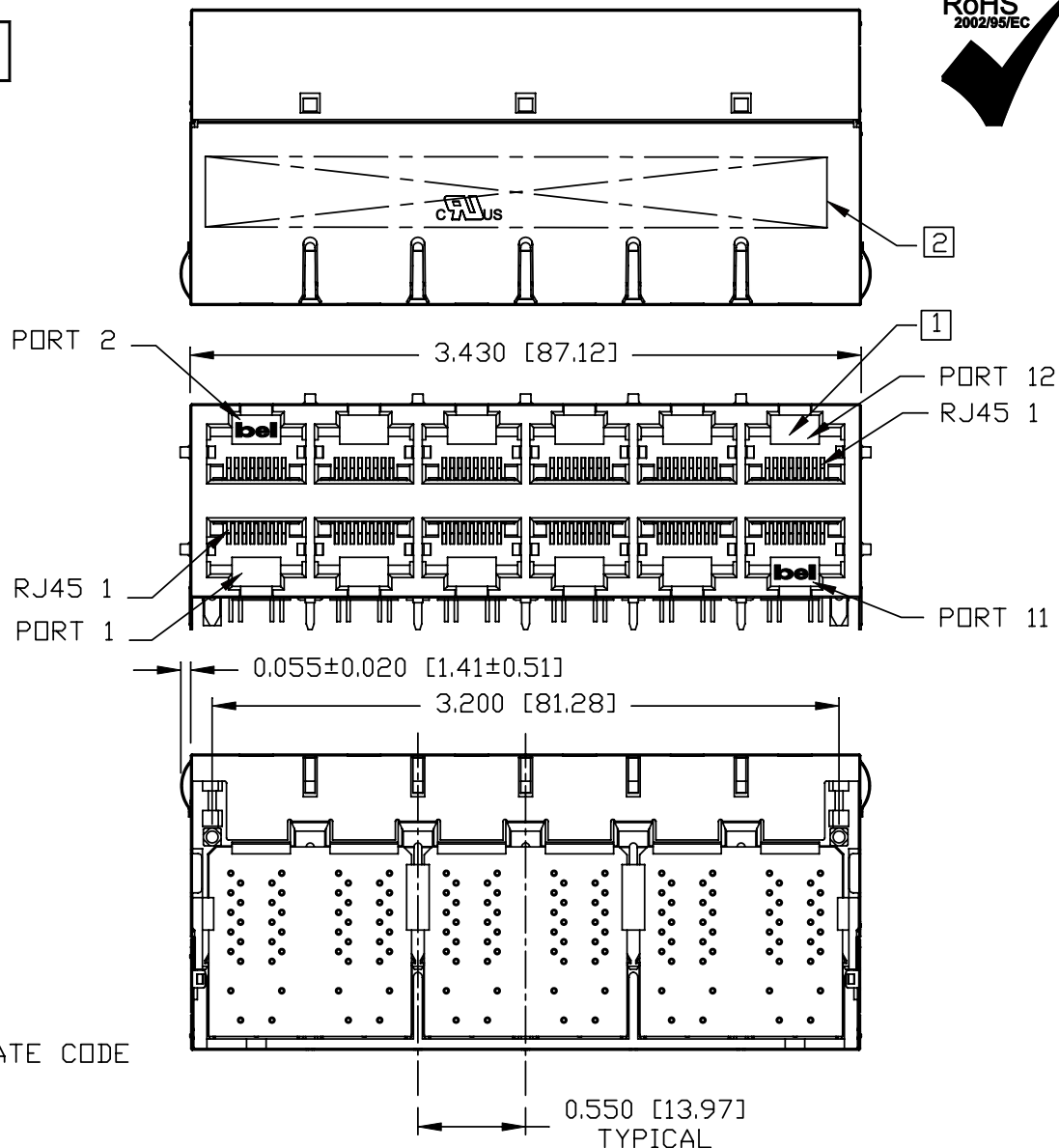


NOTES:

- PLASTIC HOUSING: THERMOPLASTIC PBT
FLAMMABILITY RATING UL 94V-0
- CONTACT PLATING: 50 MICRO-INCH HARD GOLD PLATING
- OUTPUT PINS: TIN-COATED COPPER WIRE, DIA 0.018 INCH.
- METAL SHIELD: NICKEL PLATED ON COPPER ALLOY.
(ALL GROUND LEADS ARE SOLDER DIPPED)

- JACK CAVITY CONFORMS TO FCC RULES AND REGULATIONS, PART 68 SUBPART F.
- MARK PART WITH MFG LOGO, MFG NAME, PART NUMBER, AND DATE CODE

- UL RECOGNIZED - FILE #E196366 AND E169987.
- RoHS COMPLIANCE, PER EU DIRECTIVE 2002/95/EC.



ORIGINATED BY ANTON LIAO	DATE 04-02-09	TITLE 2X6 gigabit MagJack® PoEp (WITH EXTENDED TEMPERATURE)	PART NO. / DRAWING NO. 08542X6RGK-F	STANDARD DIM. TOL. IN INCH .X .XX .XXX ±0.010	[] METRIC DIM. AS REFERENCE		
					UNIT : INCH [mm]	REV. : PB	
DRAWN BY HOWFAR WEI	DATE 04-02-09	FILE NAME 0854-2X6R-GK-F	08542X6RGK-F_PB.DWG	SCALE : N/A	SIZE : A4	PAGE : 3	

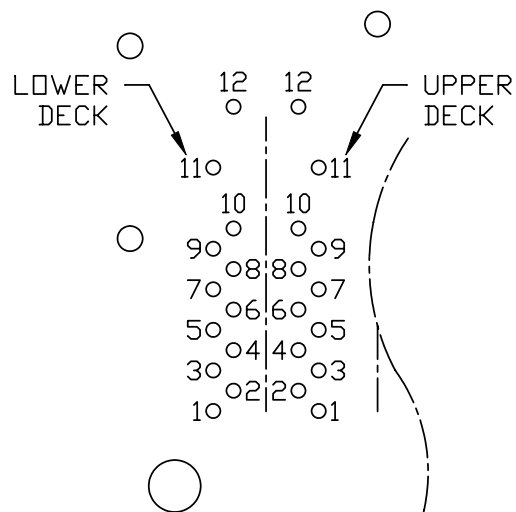
THE INFORMATION CONTAINED HEREIN IS CONSIDERED 'PROPRIETARY' TO BEL FUSE INC. AND SHALL NOT BE COPIED, REPRODUCED OR DISCLOSED WITHOUT THE WRITTEN APPROVAL OF BEL FUSE INC.

RoHS
2002/95/EC



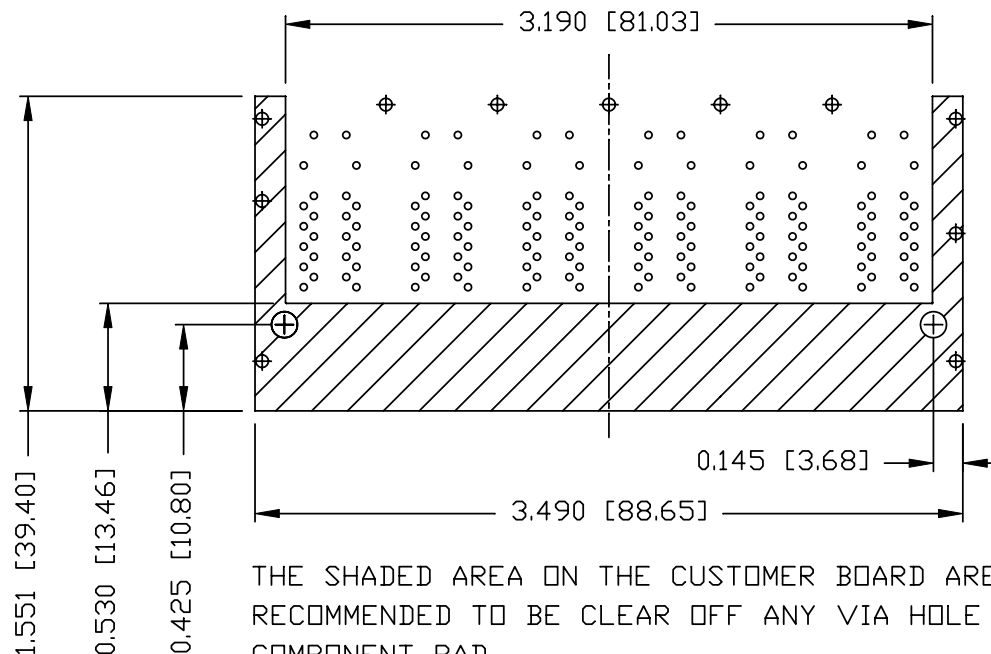
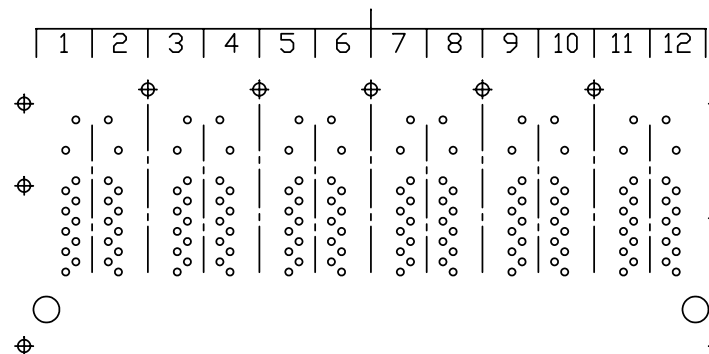
PRELIMINARY

PORT ASSIGNMENT
(COMPONENT SIDE VIEW)



PIN-OUT INFORMATION
(COMPONENT SIDE VIEW)

12	VC36
11	VC12
10	GND
9	TRCT1/2/3/4
8	TRD 4+
7	TRD 4-
6	TRD 3+
5	TRD 3-
4	TRD 2+
3	TRD 2-
2	TRD 1+
1	TRD 1-



THE SHADED AREA ON THE CUSTOMER BOARD ARE RECOMMENDED TO BE CLEAR OFF ANY VIA HOLE OR COMPONENT PAD.

ORIGINATED BY ANTON LIAO	DATE 04-02-09
DRAWN BY HOWFAR WEI	DATE 04-02-09

TITLE 2X6 gigabit MagJack® PoEp (WITH EXTENDED TEMPERATURE)
FILE NAME 0854-2X6R-GK-F

PART NO. / DRAWING NO. 08542X6RGK-F
FILE NAME 08542X6RGK-F_PB.DWG

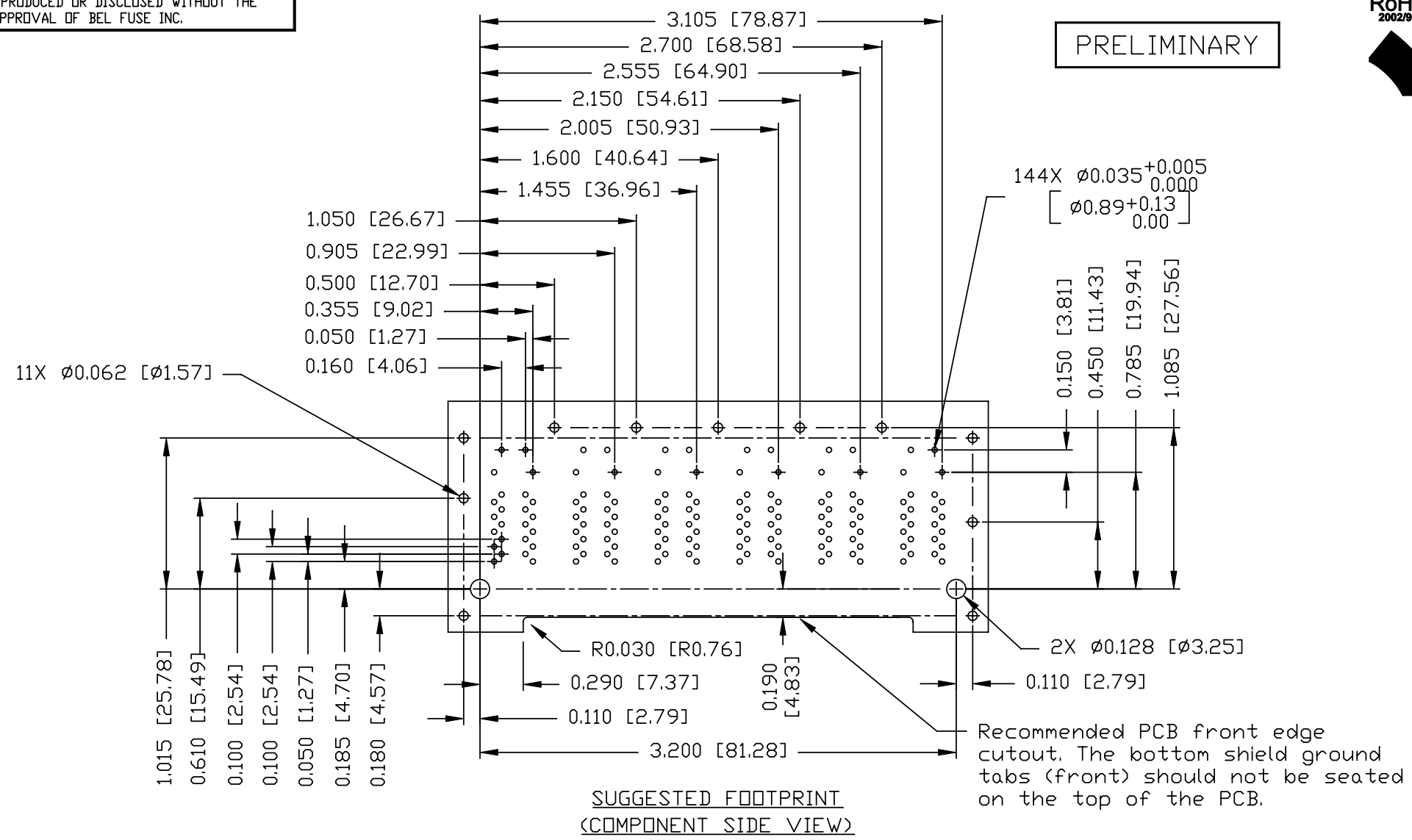
STANDARD DIM. TOL. IN INCH	[] METRIC DIM. AS REFERENCE
.X	UNIT : INCH [mm]
.XX	SCALE : N/A
.XXX ±0.004	REV. : PB
	SIZE : A4
	PAGE : 4



THE INFORMATION CONTAINED HEREIN IS CONSIDERED "PROPRIETARY" TO BEL FUSE INC. AND SHALL NOT BE COPIED, REPRODUCED OR DISCLOSED WITHOUT THE WRITTEN APPROVAL OF BEL FUSE INC.



PRELIMINARY



SUGGESTED FOOTPRINT
(COMPONENT SIDE VIEW)

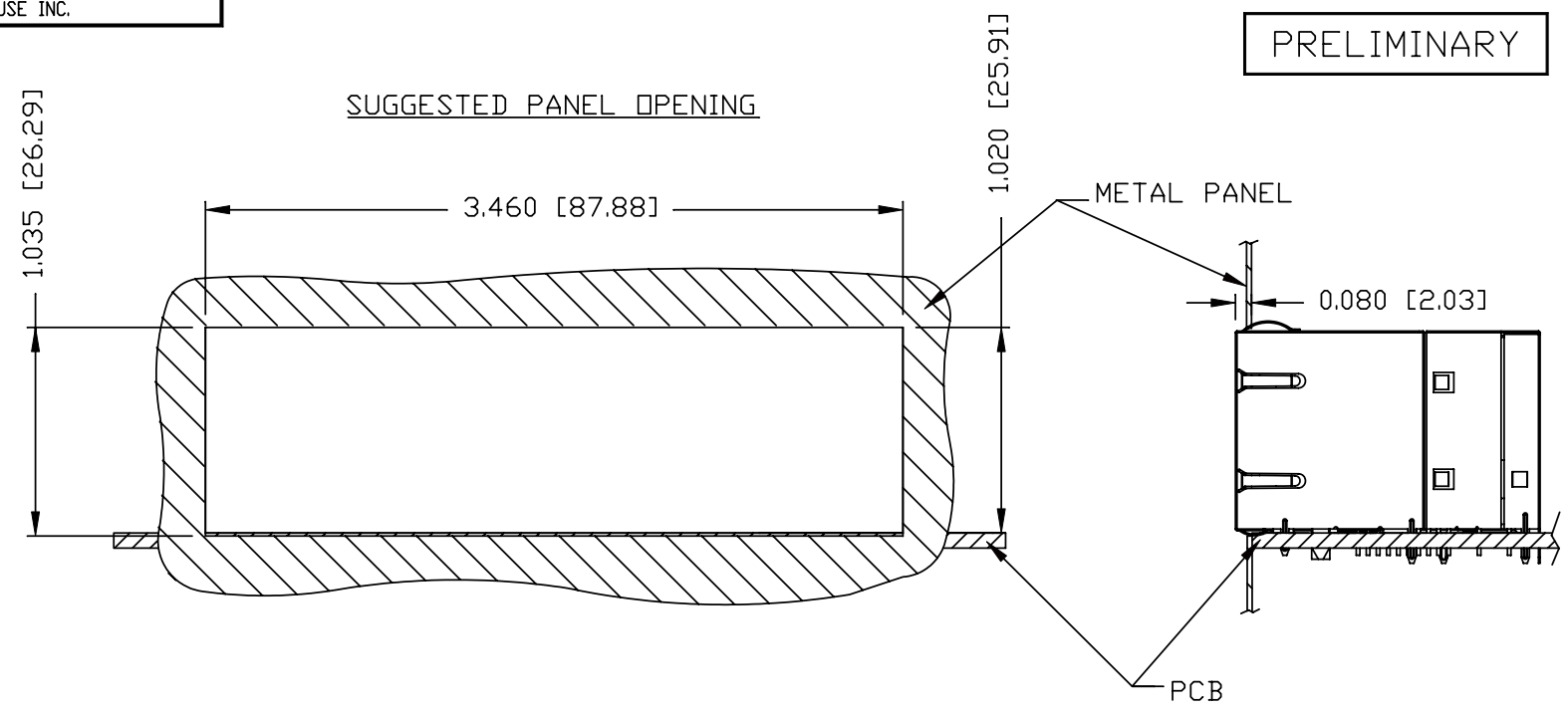
ORIGINATED BY ANTON LIAO	DATE 04-02-09	TITLE 2X6 gigabit MagJack® PoEp (WITH EXTENDED TEMPERATURE)	PART NO. / DRAWING NO. 08542X6RGK-F	STANDARD DIM. TOL. IN INCH	[] METRIC DIM. AS REFERENCE	
	DRAWN BY HOWFAR WEI		DATE 04-02-09	FILE NAME 0854-2X6R-GK-F 08542X6RGK-F_PB.DWG	.X .XX .XXX	UNIT : INCH [mm]
				±0.004	SCALE : N/A	SIZE : A4
						PAGE : 5



THE INFORMATION CONTAINED HEREIN IS CONSIDERED "PROPRIETARY" TO BEL FUSE INC. AND SHALL NOT BE COPIED, REPRODUCED OR DISCLOSED WITHOUT THE WRITTEN APPROVAL OF BEL FUSE INC.



PRELIMINARY



NOTE:

THE DISTANCE OF PANEL INSIDE SURFACE RELATIVE TO FRONT SURFACE OF PART IS ONLY A SUGGESTION. IN CASE THIS DISTANCE IS DIFFERENT, THE REQUIRED PANEL OPENING DIMENSIONS CHANGE ACCORDINGLY.

PACKING INFORMATION

PACKING TRAY : 0200-9999-B7 (TOP)

0200-9999-B8 (BOTTOM)

PACKING QUANTITY : 15 PCS FINISHED GOODS PER TRAY.

5 TRAYS (75 PCS FINISHED GOODS) PER CARTON BOX.

NOTE : CARDBOARDS ARE PLACED BETWEEN LAYERS OF PACKING TRAY INSIDE CARTON BOX.

(INCLUDE THE UPPERMOST AND LOWERMOST TRAY)

ORIGINATED BY ANTON LIAO	DATE 04-02-09	TITLE 2X6 gigabit MagJack® PoEp (WITH EXTENDED TEMPERATURE)	PART NO. / DRAWING NO. 08542X6RGK-F	STANDARD DIM. TOL. IN INCH		[] METRIC DIM. AS REFERENCE		REV. : PB	bel
				.X		UNIT : INCH [mm]	SCALE : N/A		
DRAWN BY HOWFAR WEI	DATE 04-02-09	0854-2X6R-GK-F	FILE NAME 08542X6RGK-F_PB.DWG	.XX		PAGE : 6	SIZE : A4	COMPONENTS FOR A CONNECTED PLANET	
				.XXX	±0.004				