



Adjustable Phase Shifter, DC to 2GHz, With an Adjustable Phase of 60 Deg. Per GHz and SMA

Phase Shifters and Trimmers Technical Data Sheet

PE82P5004

Features

- Phase Tuning Range: 0 to 120 degrees
- Rotary Dial Design for Continuous Adjustment
- Frequency Range from DC to 2GHz
- SMA Female Connectorized Design
- Max VSWR 1.3:1
- Max Power Rating: 100 Watts (CW)
- Insertion Loss: 0.5 dB Max

Applications

- Test & Measurements
- Radar Development
- Military Communications Systems
- Phase Array Antenna System
- Satellite Communications

Description

Pasternack's PE82P5004 is a phase shifter that has phase adjustment range of 60 degrees per GHz with precision rotary dial design for controllable phase adjustment across a frequency range from 0 to 2GHz. With SMA female connectors, this RF phase shifter design is tried and true technology that offers exceptional RF performance characteristics that include 0.5 dB maximum insertion loss and a maximum VSWR of 1.3:1. Phase shifters are part of Pasternack's comprehensive RF passive product offerings which are available in stock and ready for same-day shipment.

Electrical Specifications

Description	Minimum	Typical	Maximum	Units
Frequency Range	DC		2	GHz
Impedance		50		Ohms
Phase Shift	0		120	Degrees
Phase Adjustment	0		60	Deg/GHz
VSWR			1.3:1	
Insertion Loss			0.5	dB
Input Power, CW			100	Watts
Input Power, Peak 5µs pulse, 1% duty cycle			5	kWatts

Mechanical Specifications

Size

Length	7.87 in [199.9 mm]
Width/Diameter	2.99 in [75.95 mm]
Height	1.2 in [30.48 mm]
Weight	1.08 lbs [489.88 g]
Body Material and Plating	Aluminum

Click the following link (or enter part number in "SEARCH" on website) to obtain additional part information including price, inventory and certifications: [Adjustable Phase Shifter, DC to 2GHz, With an Adjustable Phase of 60 Deg. Per GHz and SMA PE82P5004](#)



Adjustable Phase Shifter, DC to 2GHz, With an Adjustable Phase of 60 Deg. Per GHz and SMA

Phase Shifters and Trimmers Technical Data Sheet

PE82P5004

Configuration

Input Connector	SMA Female
Output Connector	SMA Female

Environmental Specifications

Temperature

Operating Range	-10 to 50 deg C
Storage Range	-40 to 70 deg C

Compliance Certifications (see [product page](#) for current document)

Plotted and Other Data

Notes:

Adjustable Phase Shifter, DC to 2GHz, With an Adjustable Phase of 60 Deg. Per GHz and SMA from Pasternack Enterprises has same day shipment for domestic and International orders. Our RF, microwave and millimeter wave products maintain a 99.4% availability and are part of the broadest selection in the industry.

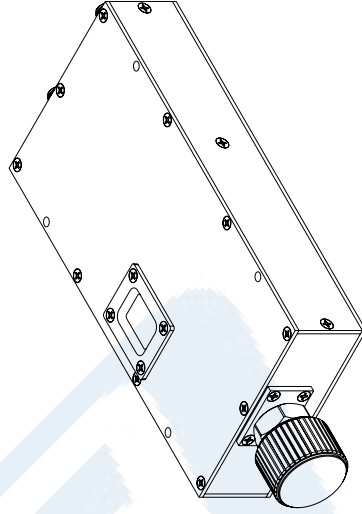
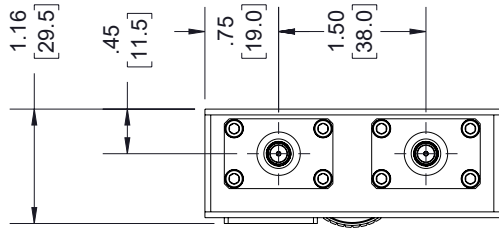
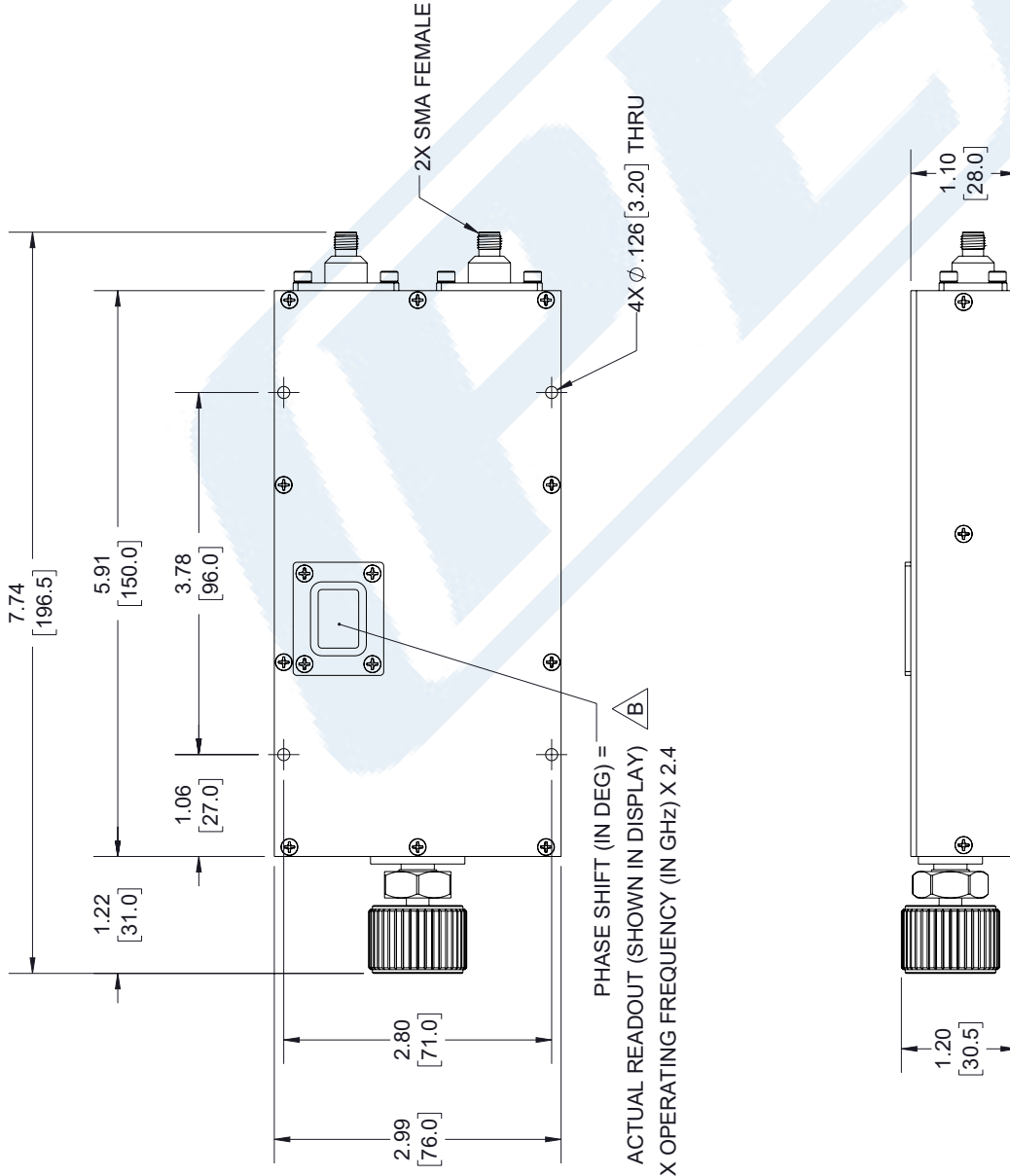
Click the following link (or enter part number in "SEARCH" on website) to obtain additional part information including price, inventory and certifications: [Adjustable Phase Shifter, DC to 2GHz, With an Adjustable Phase of 60 Deg. Per GHz and SMA PE82P5004](#)

URL: <https://www.pasternack.com/adjustable-phase-shifter-2-ghz-60-deg-per-ghz-sma-pe82p5004-p.aspx>

PE82P5004 CAD Drawing

Adjustable Phase Shifter, DC to 2GHz, With an Adjustable Phase of 60 Deg. Per GHz and SMA

REVISIONS			
REV.	DESCRIPTION	DATE	APPROVED
B	PCR PE82P5004 20220908	11/07/2022	SPONG



UNLESS OTHERWISE SPECIFIED
LEADING DIMENSIONS ARE INCHES
DIMENSIONS IN [] ARE MILLIMETERS

TOLERANCES:
 .X = ±.2 [5.08] FRACTIONS ± 1/32
 .XX = ±.02 [.51] ANGLES ± 1°
 .XXX = ±.005 [.13] CABLE LENGTH (L) TOLERANCES:
 L ≤ 12 [305] = +1 [25] / -0
 12 [305] < L ≤ 60 [1524] = +2 [51] / -0
 60 [1524] < L ≤ 120 [3048] = +4 [102] / -0
 120 [3048] < L ≤ 300 [7620] = +6 [152] / -0
 300 [7620] < L = +5% / L / -0

ALL DIMENSIONS SHOWN
ARE FOR REFERENCE ONLY.

PE PASTERNAK
an INFINITO brand

Pasternack Enterprises, Inc.
P. O. Box 16759, Irvine, CA 92623.
Phone: 1.949.261.1920 | 1.866.727.8376
Fax: 1.949.261.7451
Website: www.pasternack.com
E-mail: sales@pasternack.com

THIRD-ANGLE PROJECTION

THE INFORMATION AND DESIGN IN THIS DOCUMENT IS THE PROPERTY OF PASTERNAK CORPORATION. ALL RIGHTS RESERVED.

SHEET 1 OF 1
SCALE N/A

ITEM NO. PE82P5004
CAGE CODE A 53919
DRAWN BY: KDANG
REV B