

1

2

3

4

5

6

7

A

**SPECIFICATION MATERIAL Features**

**Order Code**

AGP - XX - G - X  
1 2

A

B

⑦ This shell hood is supplied for top cable entry.

**1 No. of contacts**  
09, 15, 25, 37, 50

B

Following versions are available:

**metallized,black and grey**

**2 Version**  
ME -Metallized  
NEW -Plastic,black  
NEW/GR -Plastic,Grey

C

C

The strain relief with two screws is attached separately.

**Suitable knurled screws**

AGP-RS/NEW  
1 Set=2 pieces

D

D

⑤ **Material**  
Insulator: ABS UL94HB  
Screw: Steel  
Finish: Chromate plated

**Delivery includes**

- 2 half-sheels
- 2 fixing screws
- 4 screws
- 2 strain relief bow
- 2 nuts

E

E

F

F

**RoHS compliant**  
Unit: mm

Scale	Free	⑧	Update dimension for 9&25 pins	26.11.2021	Daniel		Date	Name	Customer-No.		
TOLERANCE		⑦	Update spec description	06.05.2019	Xavier	Drawn	12.01.2005	Ken	ASSMANN WSW-No. <b>AGP xx G-x</b>		
X.X	±X	⑥	Update the drawing	29.07.2015	Amy	Approved	26.11.2021	Daniel			
X.XX	±X	⑤	Corrected material	14.12.10	Dean						
X.XXX	±X	④	Drawing revised	06.07.07	N.Schulz				Drawing-No.		
DIM	TOL	③	Value E completed	03.08.05	Walter				ASS 0557 CO		rev08
X.°	±X°	Id.	Modification	Date	Name				Replace	Sheet	1 / 6
X.X°	±X°										
Angle	TOL										

G

G

H

H

1

2

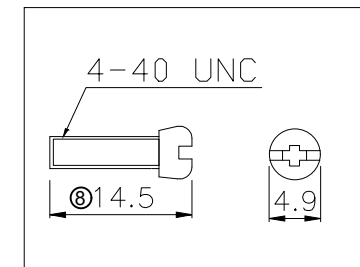
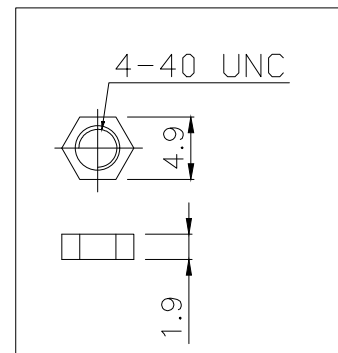
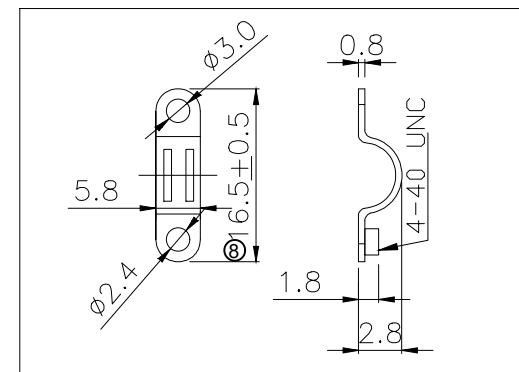
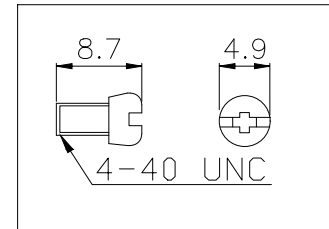
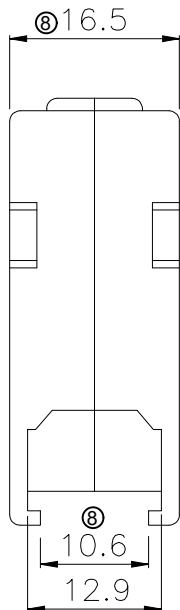
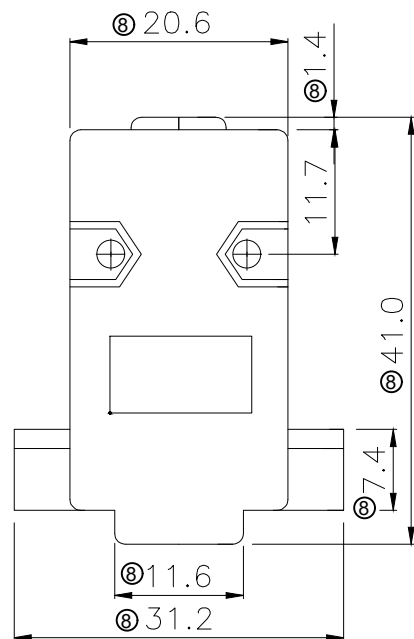
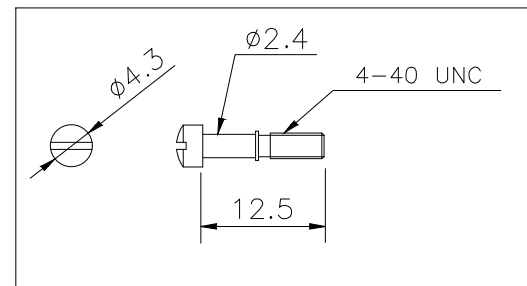
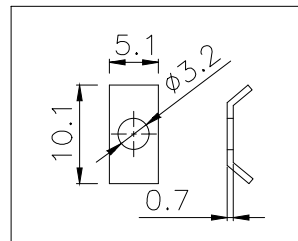
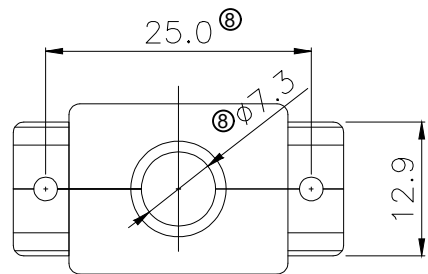
3

4

5

6

7



**RoHS compliant**  
Unit: mm

Scale	Free	⑧	Update dimension for 9&25 pins	26.11.2021	Daniel		Date	Name	Customer-No.	
<b>TOLERANCE</b>		⑦	Update spec description	06.05.2019	Xavier	Drawn	12.01.2005	Ken	ASSMANN WSW-No. <b>AGP 09 G-x</b>	
X.X	±0.30	⑥	Update the drawing	29.07.2015	Amy	Approved	26.11.2021	Daniel		
X.XX	±0.20	⑤	Corrected material	14.12.10	Dean					
DIM	TOL	④	Drawing revised	06.07.07	N.Schulz				Drawing-No.	
Angle	±5°	③	Value E completed	03.08.05	Walter				ASS 0557 CO	rev08
Angle	TOL	Id.	Modification	Date	Name				Replace	Sheet 2 / 6

1

2

3

4

5

6

7

1

2

3

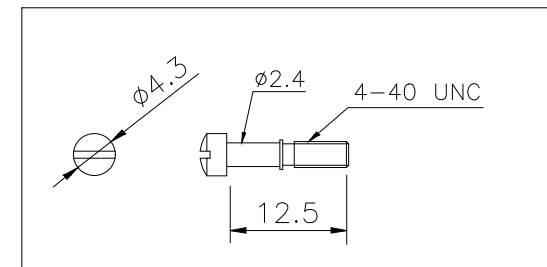
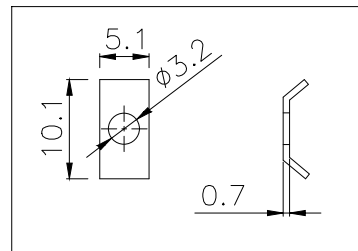
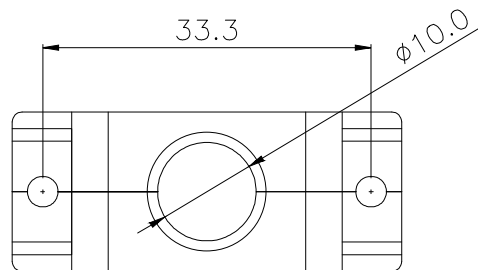
4

5

6

7

A

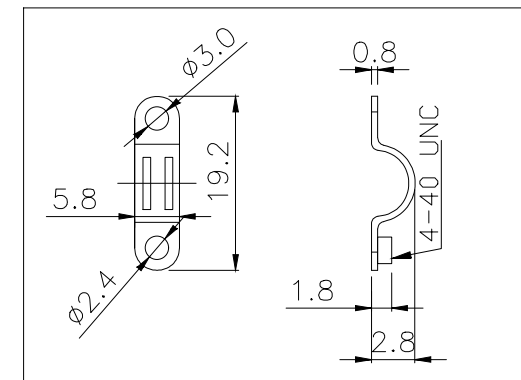
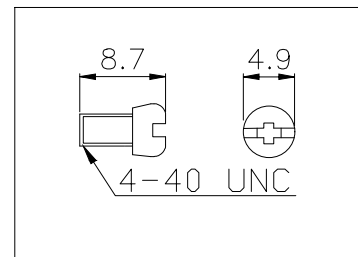
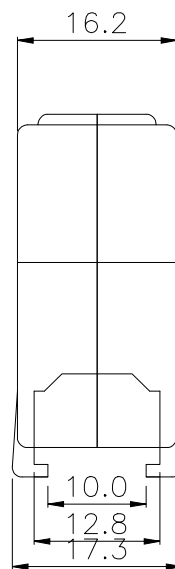
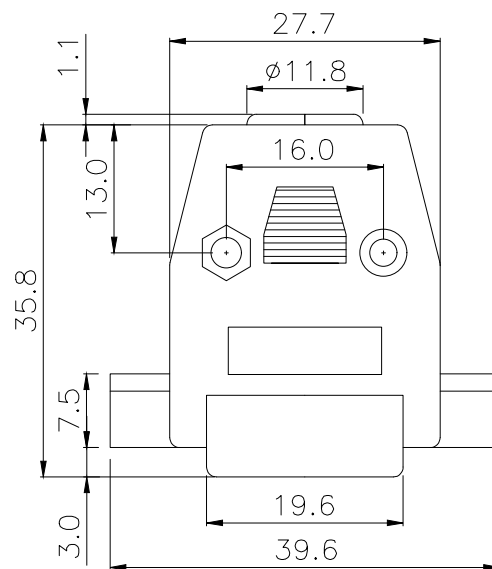


B

B

C

C

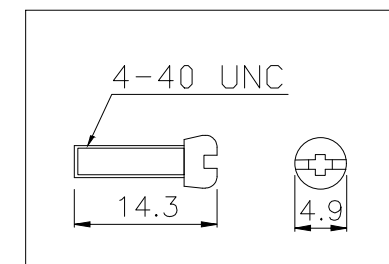
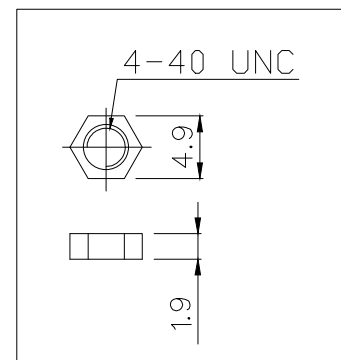


D

D

E

E



F

F

**RoHS compliant**  
Unit: mm

Scale	Free	⑧	Update dimension for 9&25 pins	26.11.2021	Daniel		Date	Name	Customer-No.	
<b>TOLERANCE</b>		⑦	Update spec description	06.05.2019	Xavier	Drawn	12.01.2005	Ken	ASSMANN WSW-No. <b>AGP 15 G-x</b>	
X.X	±0.30	⑥	Update the drawing	29.07.2015	Amy	Approved	26.11.2021	Daniel		
X.XX	±0.20	⑤	Corrected material	14.12.10	Dean					
DIM	TOL	④	Drawing revised	06.07.07	N.Schulz				Drawing-No.	
		③	Value E completed	03.08.05	Walter				ASS 0557 CO	rev08
Angle	±5°	Id.	Modification	Date	Name				Replace	Sheet 3 / 6
Angle	TOL									

G

G

H

H

1

2

3

4

5

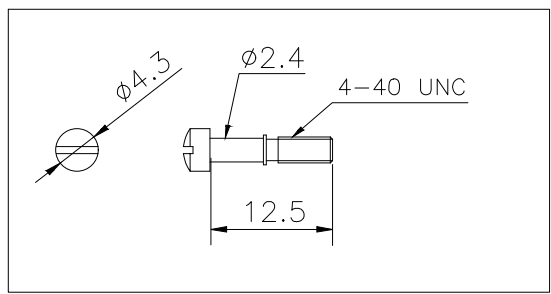
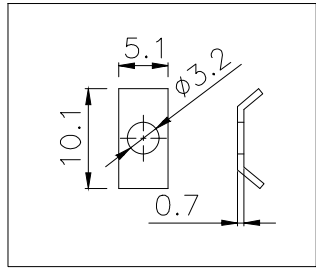
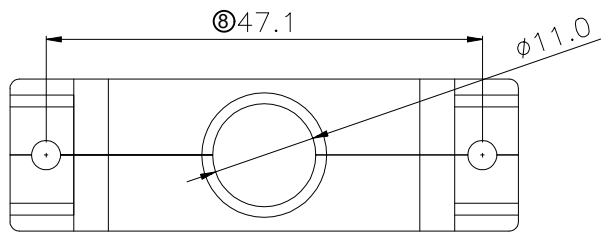
6

7

SV3931

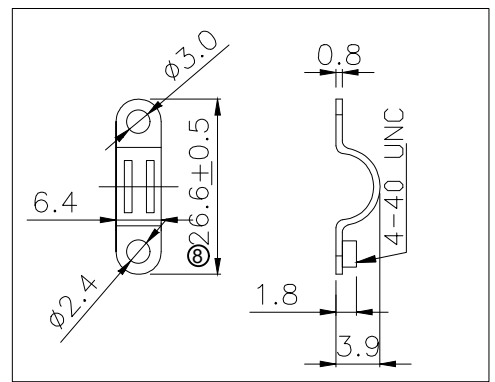
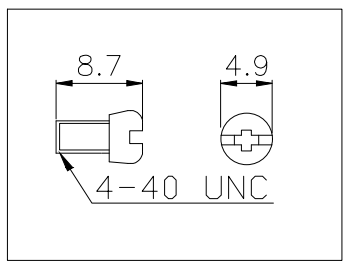
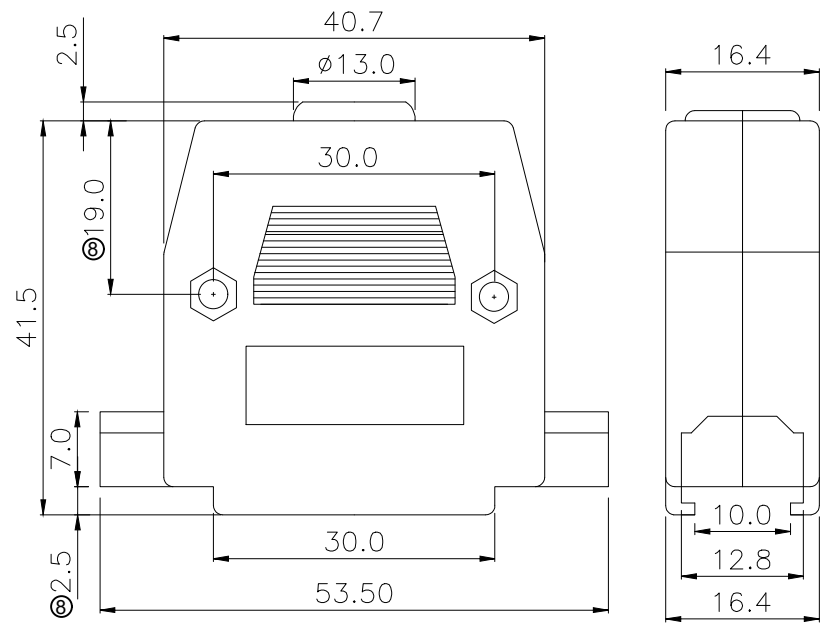
1 2 3 4 5 6 7

A



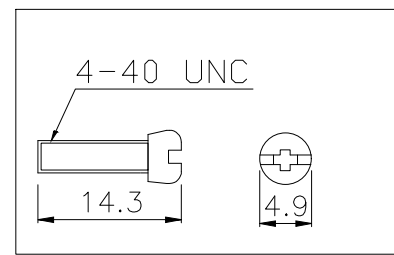
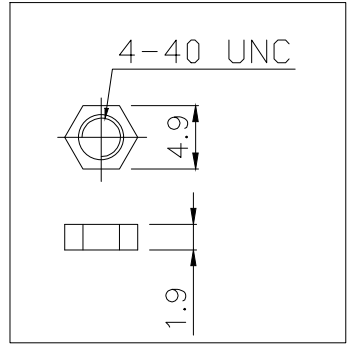
B

C



D

E



F

**RoHS compliant**  
Unit: mm

Scale	Free	⑧	Update dimension for 9&25 pins	26.11.2021	Daniel		Date	Name	Customer-No.	
<b>TOLERANCE</b>		⑦	Update spec description	06.05.2019	Xavier	Drawn	12.01.2005	Ken	ASSMANN WSW-No. <b>AGP 25 G-x</b>	
X.X	±0.30	⑥	Update the drawing	29.07.2015	Amy	Approved	26.11.2021	Daniel		
X.XX	±0.20	⑤	Corrected material	14.12.10	Dean					
DIM	TOL	④	Drawing revised	06.07.07	N.Schulz				Drawing-No.	
		③	Value E completed	03.08.05	Walter				ASS 0557 CO	rev08
Angle	±5°	Id.	Modification	Date	Name				Replace	Sheet 4 / 6
Angle	TOL									

H

1 2 3 4 5 6 7

A

B

C

D

E

F

G

H

1

2

3

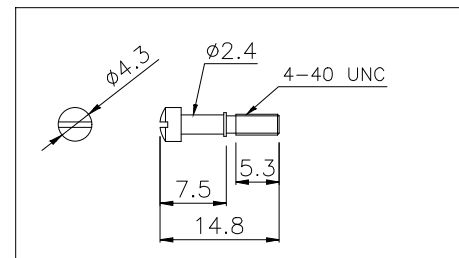
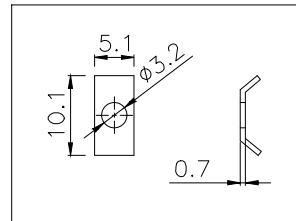
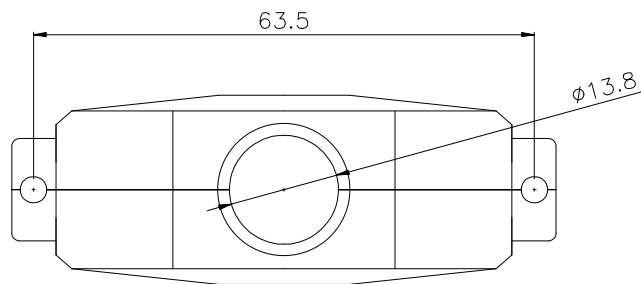
4

5

6

7

A



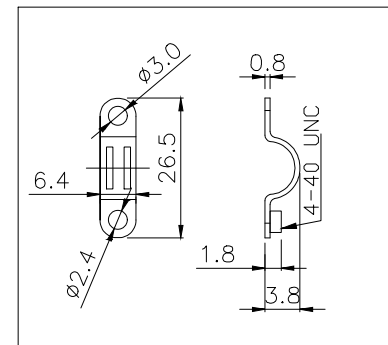
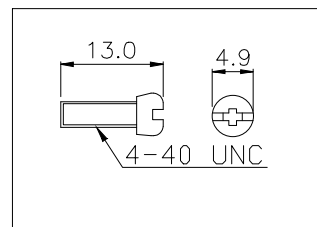
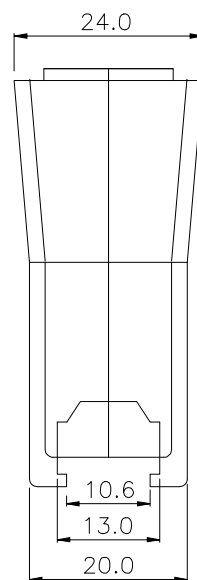
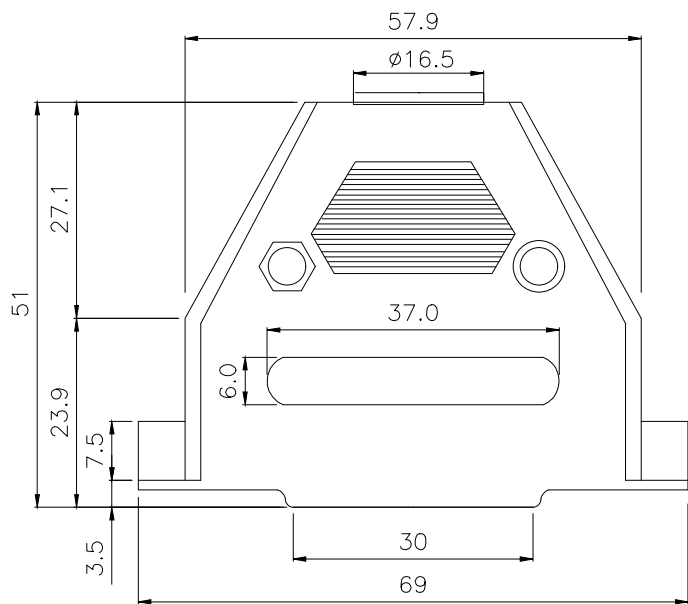
A

B

B

C

C

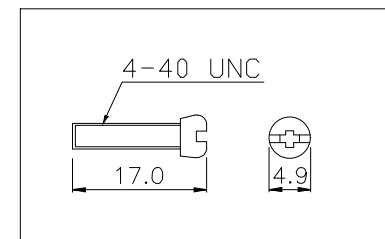
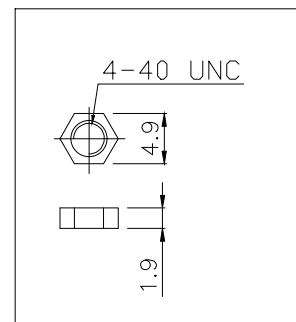


D

D

E

E



F

F

**RoHS compliant**  
Unit: mm

Scale	Free	⑧	Update dimension for 9&25 pins	26.11.2021	Daniel		Date	Name	Customer-No.	
<b>TOLERANCE</b>		⑦	Update spec description	06.05.2019	Xavier	Drawn	12.01.2005	Ken	ASSMANN WSW-No. <b>AGP 37 G-x</b>	
X.X	±0.30	⑥	Update the drawing	29.07.2015	Amy	Approved	26.11.2021	Daniel		
X.XX	±0.20	⑤	Corrected material	14.12.10	Dean					
DIM	TOL	④	Drawing revised	06.07.07	N.Schulz				Drawing-No.	
Angle	±5°	③	Value E completed	03.08.05	Walter				ASS 0557 CO	rev08
Angle	TOL	Id.	Modification	Date	Name				Replace	Sheet 5 / 6

G

H

H

1

2

3

4

5

6

7

1

2

3

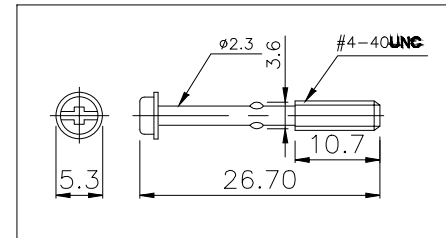
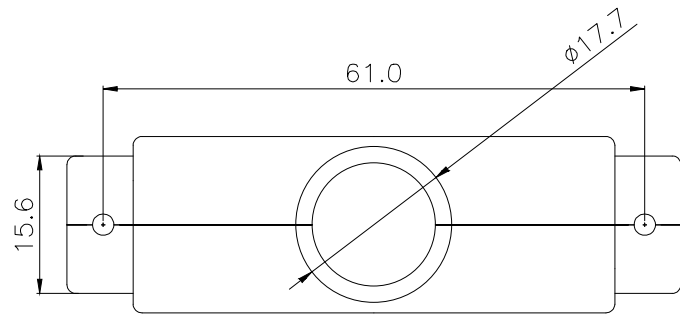
4

5

6

7

A



B

C

D

E

F

G

H

A

B

C

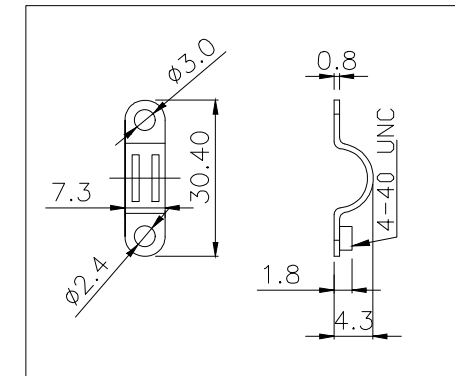
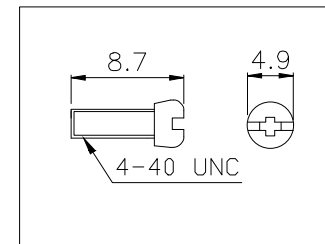
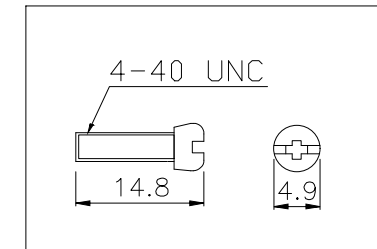
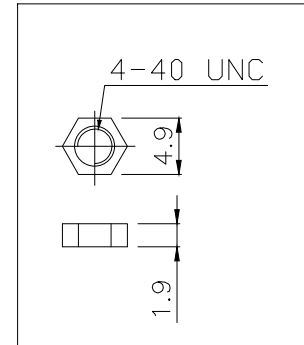
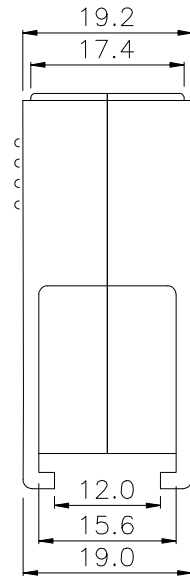
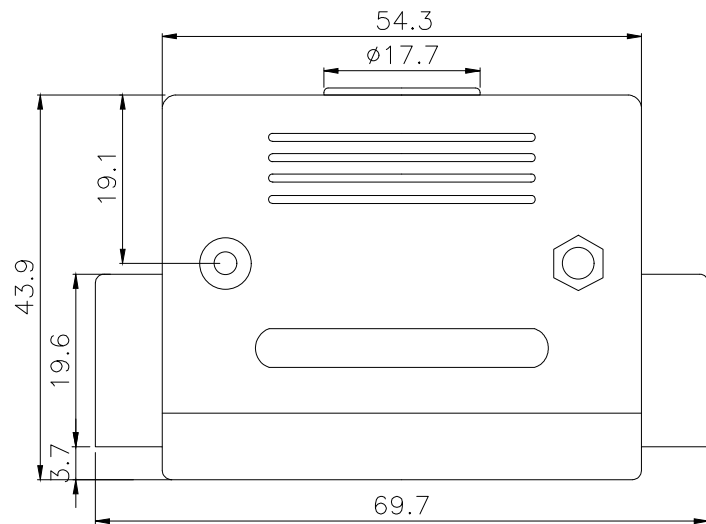
D

E

F

G

H



**RoHS compliant**  
Unit: mm

Scale	Free	⑧	Update dimension for 9&25 pins	26.11.2021	Daniel		Date	Name	Customer-No.	
<b>TOLERANCE</b>		⑦	Update spec description	06.05.2019	Xavier	Drawn	12.01.2005	Ken	ASSMANN WSW-No. <b>AGP 50 G-x</b>	
X.X	±0.30	⑥	Update the drawing	29.07.2015	Amy	Approved	26.11.2021	Daniel		
X.XX	±0.20	⑤	Corrected material	14.12.10	Dean					
DIM	TOL	④	Drawing revised	06.07.07	N.Schulz				Drawing-No.	
		③	Value E completed	03.08.05	Walter				ASS 0557 CO	rev08
Angle	±5°	Id.	Modification	Date	Name				Replace	Sheet 6 / 6
Angle	TOL									

1

2

3

4

5

6

7

SV3931