



Terminals & Splices > Terminal Housings, Insulation Sleeves & Blocks > Crimp Terminal Housings



Terminal Type: **Receptacle**

Connector & Housing Type: **Receptacle**

Number of Positions: **1**

Terminal Orientation: **Straight**

UL Flammability Rating: **UL 94V-2**

Features

Product Type Features

Sealable	No
Connector & Housing Type	Receptacle

Configuration Features

Number of Positions	1
---------------------	---

Body Features

Primary Product Color	Natural
-----------------------	---------

Contact Features

Terminal Type	Receptacle
Terminal Orientation	Straight
Contact Mating Retention	Without

Mechanical Attachment

Mating Alignment	Without
------------------	---------

Housing Features

--	--



Housing Material	Soft PVC
------------------	----------

Dimensions

Product Length	35.5 mm[1.39 in]
----------------	------------------

Compatible Insulation Diameter Range	1.8 mm[.071 in]
--------------------------------------	-----------------

Usage Conditions

Operating Temperature Range	-40 – 105 °C[-40 – 221 °F]
-----------------------------	----------------------------

Industry Standards

UL Flammability Rating	UL 94V-2
------------------------	----------

Product Compliance

[For compliance documentation, visit the product page on TE.com>](#)

EU RoHS Directive 2011/65/EU	Compliant
------------------------------	-----------

EU ELV Directive 2000/53/EC	Compliant
-----------------------------	-----------

China RoHS 2 Directive MIIT Order No 32, 2016	No Restricted Materials Above Threshold
---	---

EU REACH Regulation (EC) No. 1907/2006	Current ECHA Candidate List: JUNE 2023 (235) Candidate List Declared Against: JUL 2021 (219) Does not contain REACH SVHC
--	--

Halogen Content	Low Halogen - Br, Cl, F, I < 900 ppm per homogenous material. Also BFR/CFR/PVC Free
-----------------	---

Solder Process Capability	Not applicable for solder process capability
---------------------------	--

Product Compliance Disclaimer

This information is provided based on reasonable inquiry of our suppliers and represents our current actual knowledge based on the information they provided. This information is subject to change. The part numbers that TE has identified as EU RoHS compliant have a maximum concentration of 0.1% by weight in homogenous materials for lead, hexavalent chromium, mercury, PBB, PBDE, DBP, BBP, DEHP, DIBP, and 0.01% for cadmium, or qualify for an exemption to these limits as defined in the Annexes of Directive 2011/65/EU (RoHS2). Finished electrical and electronic equipment products will be CE marked as required by Directive 2011/65/EU. Components may not be CE marked. Additionally, the part numbers that TE has identified as EU ELV compliant have a maximum concentration of 0.1% by weight in homogenous materials for lead, hexavalent chromium, and mercury, and 0.01% for cadmium, or qualify for an exemption to these limits as defined in the Annexes of Directive 2000/53/EC (ELV). Regarding the REACH Regulation, the information TE provides on SVHC in articles for this part number is based on the latest European Chemicals Agency (ECHA) 'Guidance on requirements for substances in articles' posted at this URL: <https://echa.europa.eu/guidance-documents/guidance-on-reach>

Compatible Parts

 <p>TE Part # 170823-1 110 FASTON SLEEVE,TAB, TRANSPARENT,NAT</p>	 <p>TE Part # 170891-2 250 FASTON HSG.,FLAG,REC., NATURAL</p>	 <p>TE Part # 170823-4 250 FASTON SLEEVE,REC., TRANSPARENT</p>	 <p>TE Part # 1-170823-4 187 FASTON SLEEVE,REC., TRANSPARENT,NAT</p>
 <p>TE Part # 1-170823-5 250 FASTON SLEEVE,REC., TRANSPARENT</p>	 <p>TE Part # 170823-3 250 FASTON SLEEVE,REC., TRANSPARENT</p>	 <p>TE Part # 170823-2 250 FASTON SLEEVE,REC., TRANSPARENT</p>	 <p>TE Part # 170891-1 250 FASTON HSG.,FLAG,REC., NATURAL</p>
 <p>TE Part # 170823-6 250 FASTON SLEEVE,REC., TRANSPARENT</p>	 <p>TE Part # 170892-4 187 FASTON HSG.,REC.,NATURAL</p>	 <p>TE Part # 170892-1 187 FASTON HSG.,REC.,NATURAL</p>	 <p>TE Part # 1-170823-6 250 FASTON SLEEVE,REC., TRANSPARENT</p>
 <p>TE Part # 1-170823-1 110 FASTON SLEEVE,REC., TRANSPARENT,NAT</p>	 <p>TE Part # 1-170823-3 187 FASTON SLEEVE,REC., TRANSPARENT,NAT</p>	 <p>TE Part # 1-170823-8 250 FASTON SLEEVE,REC., TRANSPARENT</p>	 <p>TE Part # 170823-9 110 FASTON SLEEVE,REC., TRANSPARENT,NAT</p>
 <p>TE Part # 170889-4 SLEEVE DIA5 SHUR PLUG NAT</p>	 <p>TE Part # 170892-2 187 FASTON HSG.,REC.,NATURAL</p>	 <p>TE Part # 2-170823-8 187 FASTON SLEEVE,FLAG,REC., TRANSPARENT</p>	 <p>TE Part # 4-170823-1 205 FASTON SLEEVE,REC.,NATURAL</p>

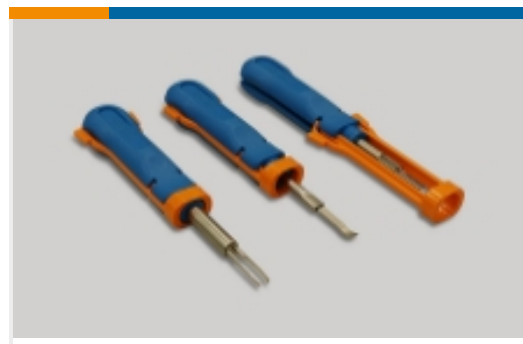
Also in the Series | **FASTON 250**



Compression Connectors(4)



Crimp Terminal Housings(142)



Insertion & Extraction Tools(6)



Magnet Wire Terminals(1)



PCB Terminals(135)



Quick Disconnects(445)



Splices(4)

Customers Also Bought



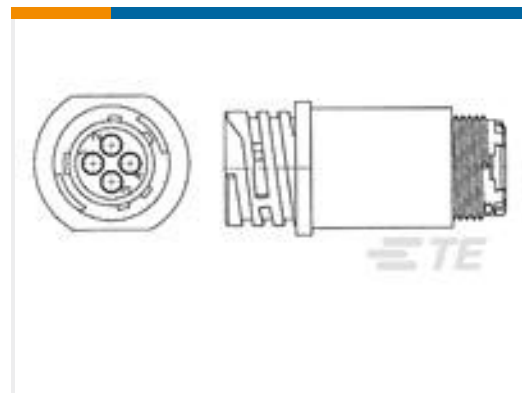
TE Part #2822363-1
ECONOSEAL, CONNECTOR
HOUSING



TE Part #170031-1
FF 250 REC 20-14AWG BR



TE Part #170030-1
FF 250 TAB 20-14AWG BR



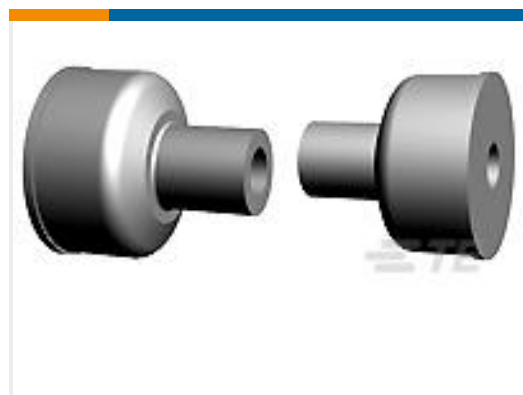
TE Part #796276-1
SLD CPC RCPT ASSY,17-16,STD SX



TE Part #1379118-1
MQS, CONNECTOR HOUSING



TE Part #1746863-2
0.64III/2.3II 26POS PLUG ASSY



TE Part #347713-1
2.0MM CABLE SEAL HC SILIC



TE Part #184346-1
2X2 CAP ASY KEY A C3

Documents

Product Drawings

250 FASTON SLEEVE,REC.,TRANSPARENT,NAT

English

CAD Files

3D PDF

3D

Customer View Model

ENG_CVM_CVM_1-170823-9_F.2d_dxf.zip



English

Customer View Model

[ENG_CVM_CVM_1-170823-9_F.3d_igs.zip](#)

English

Customer View Model

[ENG_CVM_CVM_1-170823-9_F.3d_stp.zip](#)

English

By downloading the CAD file I accept and agree to the [Terms and Conditions](#) of use.

Datasheets & Catalog Pages

[FASTON Housings](#)

English