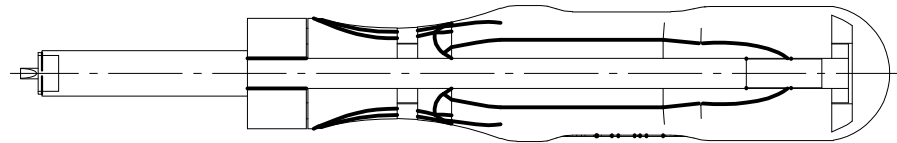
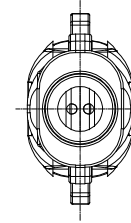
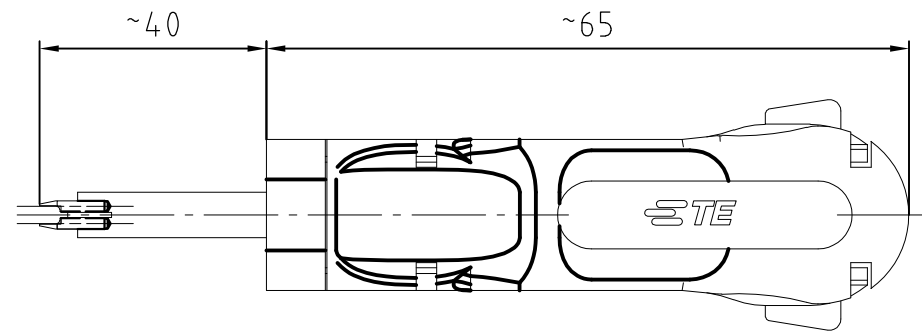


THIS DRAWING IS UNPUBLISHED.

RELEASED FOR PUBLICATION

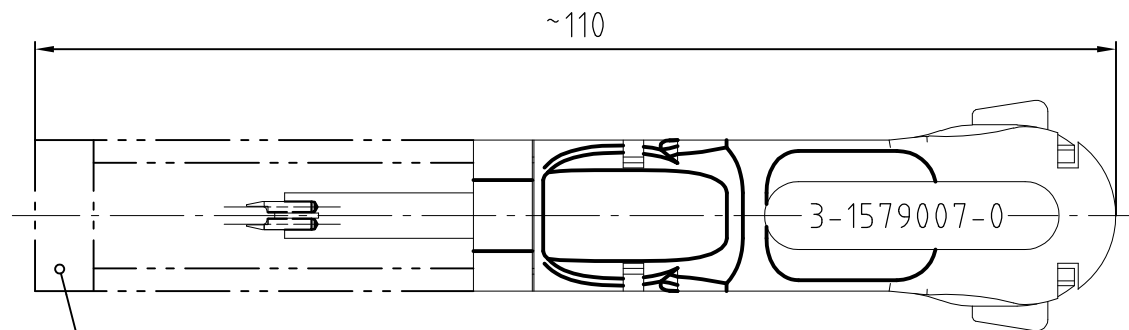
© COPYRIGHT - BY TYCO ELECTRONICS CORPORATION. ALL INTERNATIONAL RIGHTS RESERVED.

LOC	DIST	REVISIONS					
		P	LTR	DESCRIPTION	DATE	DWN	APVD
-	-	B		ECR-17-004625	05APR2017	KH	RG



Anwendungsbereich / Application range

E-95 Contact: 963912,963914,963916,967231 and 967233



COVER SLIDE
Schutzschieber

THIS DRAWING IS A CONTROLLED DOCUMENT.		DWN J. Zajicek	10.06.2003	STE TE Connectivity													
DIMENSIONS: mm		CHK -	APVD -			NAME EXTRACTION TOOL Entriegelungswerkzeug											
TOLERANCES UNLESS OTHERWISE SPECIFIED:		PRODUCT SPEC -		APPLICATION SPEC -													
<table border="0"> <tr><td>0 PLC</td><td>± -</td></tr> <tr><td>1 PLC</td><td>± -</td></tr> <tr><td>2 PLC</td><td>± -</td></tr> <tr><td>3 PLC</td><td>± -</td></tr> <tr><td>4 PLC</td><td>± -</td></tr> <tr><td>ANGLES</td><td>± -</td></tr> </table>		0 PLC	± -	1 PLC	± -	2 PLC	± -	3 PLC	± -	4 PLC	± -	ANGLES	± -	WEIGHT 0,000kg		SIZE A3	RESTRICTED TO -
0 PLC	± -																
1 PLC	± -																
2 PLC	± -																
3 PLC	± -																
4 PLC	± -																
ANGLES	± -																
MATERIAL 59CrV4 1.2242		FINISH HRC 56±2		CAGE CODE 00779	DRAWING NO 3-1579007-0												
CUSTOMER DRAWING				SCALE 1:1	SHEET 1 OF 1												
				REV B													